

Transistor Mounting

Order code	Manufacturer code	Description
38-0230	n/a	PK 10 INSULATING BUSHES TO220 (RC)
38-0235	n/a	PK10 INS.BUSHES TO3/TO66/SOT93

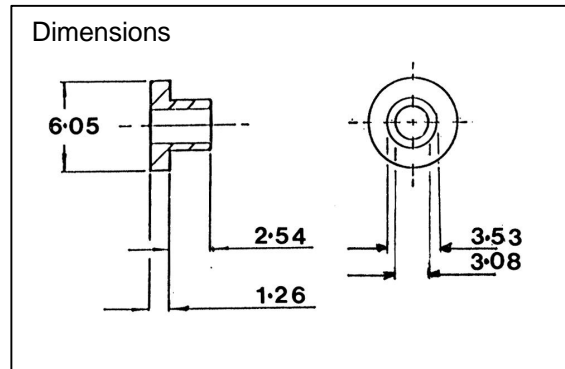
Transistor Mounting	Page 1 of 2
The enclosed information is believed to be correct, Information may change 'without notice' due to product improvement. Users should ensure that the product is suitable for their use. E. & O. E.	Revision A 04/07/2003

Insulating Bushes

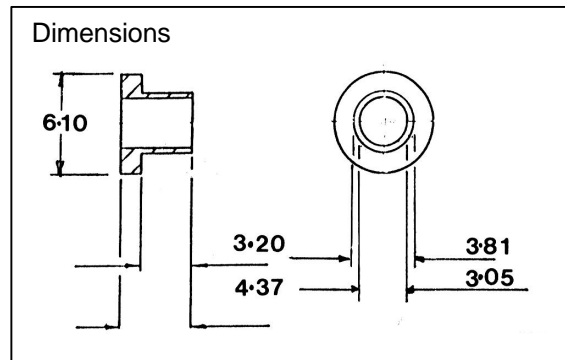
MEC - Bushes

Specification

Reference No.: 31-35-25GF
 Material: Glass filled Nylon
 Colour: Black



Reference No.: 3-38-32GF
 Material: Glass filled Nylon
 Colour: Black



Reference No.	To Fit	Pack Qty.
31-35-25GFN	TO220	10
3-38-32GFN	TO3/TO66/SOT93	10