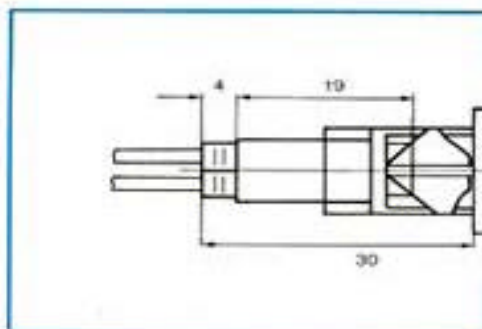


## Indicators

Order code	Manufacturer code	Description
42-0326	n/a	NEON INDICATOR 240V 12MM LEADS AMBER RC
42-0322	n/a	NEON INDICATOR 240V 12MM RD+LEADS RED RC
42-0332	n/a	NEON INDICATOR 240V 12MM RD+TAGS AMBERRC
42-0324	n/a	NEON INDICATOR 240V 12MM RD+LEADS GREEN
42-0330	n/a	NEON INDICATOR 240V 12MM RD+TAGS GREENRC
42-0328	n/a	NEON INDICATOR 240V 12MM RD+TAGS RED RC

Indicators	Page 1 of 3
The enclosed information is believed to be correct, Information may change without notice due to product improvement. Users should ensure that the product is suitable for their use. E. & O. E.	Revision A 20/02/2007

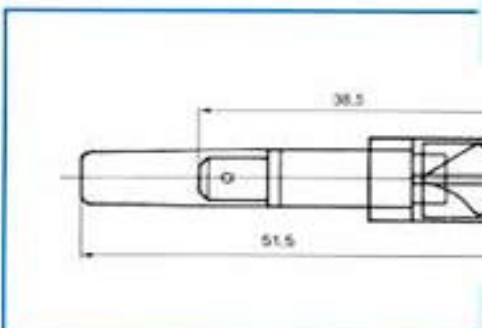
Cylindrical Light Indicators | Panel Hole 12 mm dia.  
 Self-locking Units  
 Equivalent to NI 12 Family



Unità base  
 Basic unit  
 Basiseinheit  
 Unité de base  
 Unidad base

Lente  
 Lens  
 Linse  
 Lentille  
 Lentilla

**TB/012/SD**

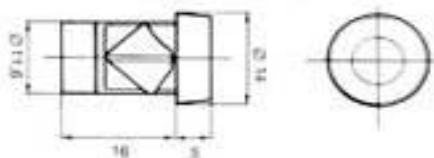
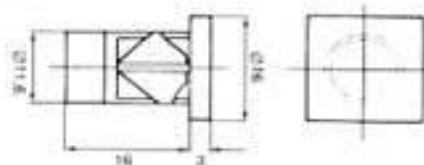
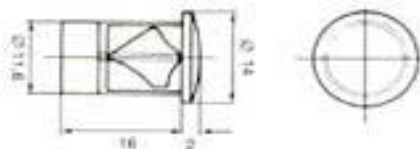
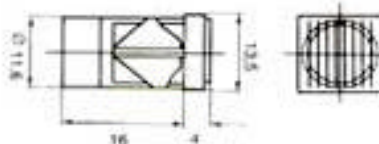
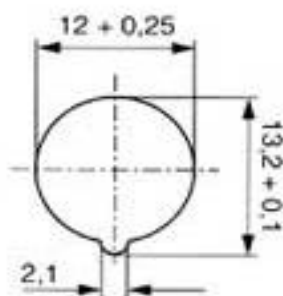
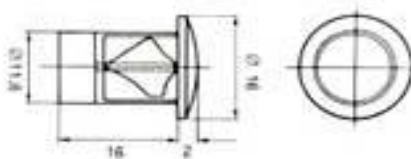


Unità base  
 Basic unit  
 Basiseinheit  
 Unité de base  
 Unidad base

Lente  
 Lens  
 Linse  
 Lentille  
 Lentilla

**TBF/012/SD**



**SD 1****SD 2****SD 3****SD 4****SD 5**

Foro - Hole - Schalttafel-Bohrung - Trou - Orificio  $\varnothing$  12 mm  
+ 0,25 - - 0

Spessore - Panel thickness - Stärke der Schalttafel - Épaisseur  
- Espesor 0,5/2,5 mm

**Body and lens:****Tension:****Wire ends:****Lens colour:****Variants:**

- In polycarbonate
  - Incandescence: 6/12/24 V
  - Neon and fluorescence: 110/250/380 V
  - TB/010/SD: PVC sheath wire cross, section 0,50 mm<sup>2</sup>, wires length 220 mm, length of stripped wires end 6 mm
  - TBF/010/SD: male faston 6,3x0,8 mm
  - Neon: red, orange, transparent, yellow-green (light green) • Fluorescent: green • Incandescence: red, orange, transparent, yellow-green (light green), green, blue
- Cables: length to customer's requirements - with camped connectors - silicone insulated - tinned ends  
Removable lens
- Anti-luminescence resistor