



The eRIC radio transceiver further extends the proven easyRadio product line by offering a low cost RF transceiver intended for high volume applications.

Operating frequency, bandwidth, power output and data rate can (optionally) be configured using the 'easyRadio Companion' software allowing multiple devices to communicate free from interference with each other and other RF devices.

Features

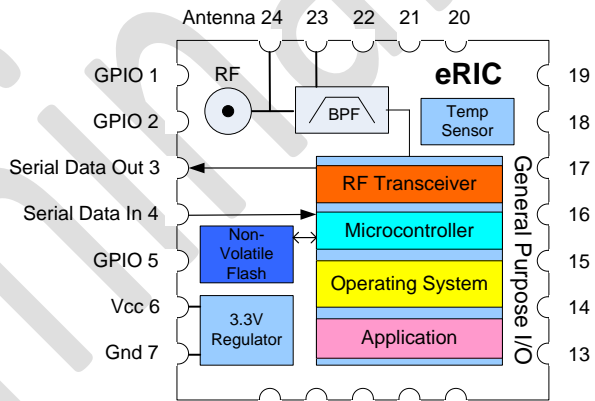
- Embedded 'easyRadio' Protocol
- ISM Frequency Bands
- Radio Approvals
- Small 15x20x2.2mm Surface Mount Device (SMD)
- Pin compatible with easyRadio Advanced
- Low power operation
- eROS Operating System and Application Partitions
- Configurable & programmable User I/O
- AES 128 bit data encryption option
- Built in Temperature Sensor

Benefits

- Simple serial data in/data out user interface and configuration
- 433 & 868MHz (UK & Europe), 315 & 915MHz (USA)
- Meets ETSI (Europe) & FCC (USA) requirements
- Simplifies product manufacture
- Allows rapid product evaluation
- Battery powered applications
- Can eliminate need for external application processor
- Minimises external hardware requirements for custom applications
- Secure communications
- Environment monitor



Product Photo



Block Diagram

Parameter	Specification *
Modulation & mode	FSK wideband, Half Duplex
Operating Supply Voltage	2.4 to 6.0V
Receive supply current	15 mA continuous (Sleep mode options)
Transmit supply current	32 mA
Receive Sensitivity (Typ)	-111 dBm at 1.2kbps datarate
Transmit RF Output Power	+10 dBm (Configurable)
Antenna (UFL & solder pad)	50 Ω
Host Data Rate	19.2 Kbps (Configurable)
Packet Size	Up to 250 Bytes
Flow control	Optional
Operating temperature range	-10 to +70°C

*Specifications are subject to change without notice

Please contact Sales office for further information and product availability.



Low Power Radio Solutions Ltd.
 Two Rivers Industrial Estate
 Station Lane, Witney
 Oxon, OX28 4BH
 England

Tel: +44 (0)1993 709418
 Fax: +44 (0)1993 708575
 Web: <http://www.lprs.co.uk>
 Email: info@lprs.co.uk
 Technical: technical@lprs.co.uk