



### Key Features

- Compact size: 35 x 6mm
- Flexible connector and cable options
- Quad band GSM and 3G
- ISM: 868 and 915MHz
- Ground plane independent
- RoHS compliant

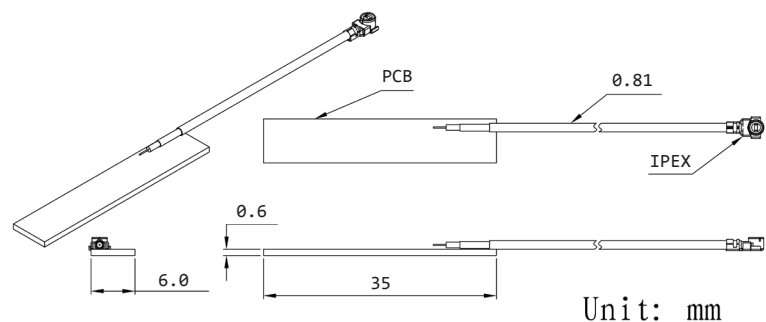
### General Description

Siretta multi purpose PCB antennas are based on an efficiently tuned PCB Element that is matched and embedded to work with a wide variety of RF & M2M modules operating on quad band GSM, 3G and ISM frequencies.

Proven in many embedded applications, it is groundplane independent and compact making it a popular choice where a small size is important. Its wide ranging connector and cable options makes it a convenient antenna for a quick design in whilst the miniature design allows it to fix to the inside of an enclosure or side of PCB.

### Additional Considerations

- 35mm x 6mm allows easy integration into small devices
- Allows easy selection and quick integration into target application
- Works with quad band GSM / GPRS devices, 3G and ISM
- Can be mounted on a wide range of surfaces or to float inside equipment
- Meets all EU compliance criteria for electronic goods.



### Key Specifications - Electrical

|                      |                                |
|----------------------|--------------------------------|
| Temperature range:   | -40 to +85°C                   |
| Impedance:           | 50 ohm                         |
| VSWR:                | <2.0                           |
| Operating frequency: | 824 ~ 960MHz<br>1710 ~ 2170MHz |
| Polarization:        | Linear                         |
| Radiating element:   | ¼ wave dipole                  |

### Key Specifications - Mechanical

|             |                                   |
|-------------|-----------------------------------|
| Dimensions: | 35 x 6 x 0.6mm<br>(without cable) |
|-------------|-----------------------------------|

|                  |          |
|------------------|----------|
| Mounting method: | Adhesive |
|------------------|----------|

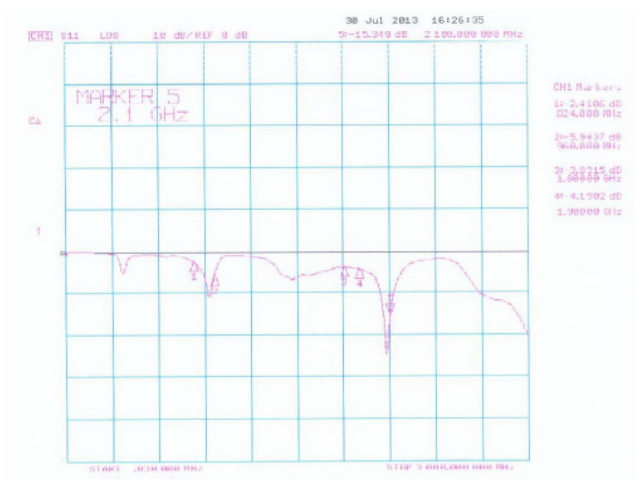
|                 |     |
|-----------------|-----|
| RoHS Compliant: | Yes |
|-----------------|-----|

### Gain

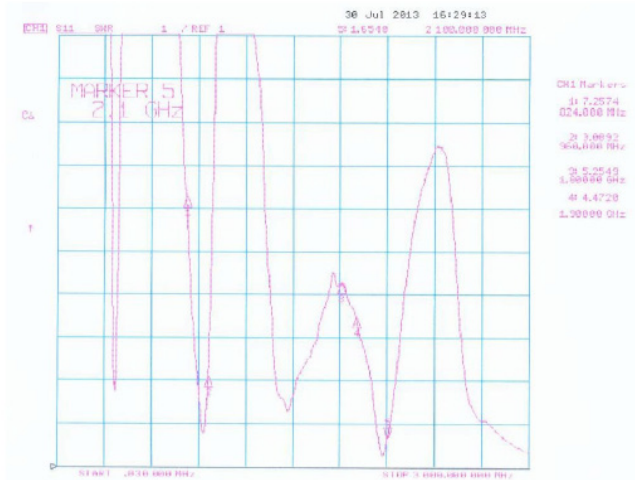
| ISM      |          |
|----------|----------|
| 868MHz:  | -0.4dBi  |
| 915MHz:  | -0.8dBi  |
| GSM      |          |
| 850MHz:  | -1.95dBi |
| 900MHz:  | -0.92dBi |
| 1800MHz: | 0.78dBi  |
| 1900MHz: | 1.13dBi  |
| 3G       |          |
| 2100MHz: | 3.66dBi  |

### Test Results

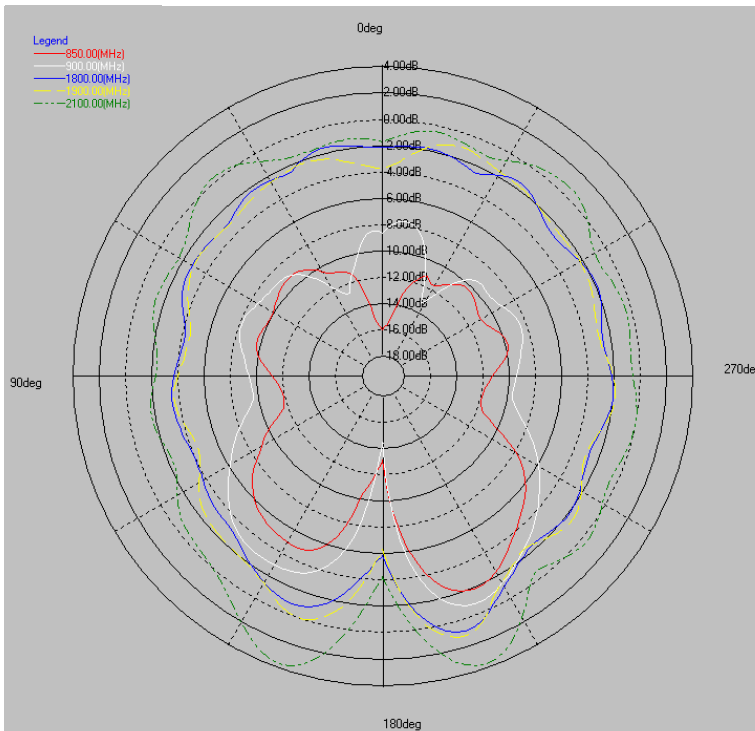
VSWR Graph



SWR Graph



## Gain vs. Frequency Graph



**UL Tested (Basingstoke, UK)**  
Part: ECHO 1A