



3-conductor through terminal block; suitable for Ex e II applications; suitable for Ex i applications

Item No.: 2000-1304



Marking

RoHS ✓
Compliant

Business data

| | |
|------------|---------------|
| Supplier | WAGO |
| Item no. | 2000-1304 |
| GTIN / EAN | 4045454966874 |
| Content | 1 |
| | |
| | |

Notes

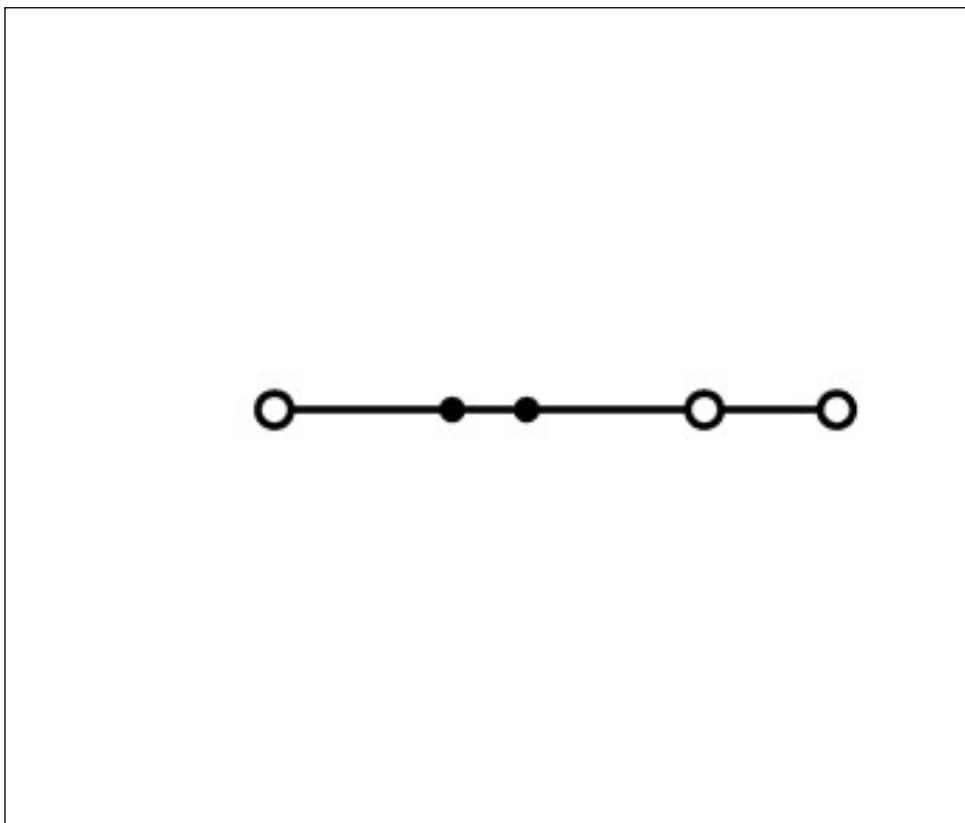
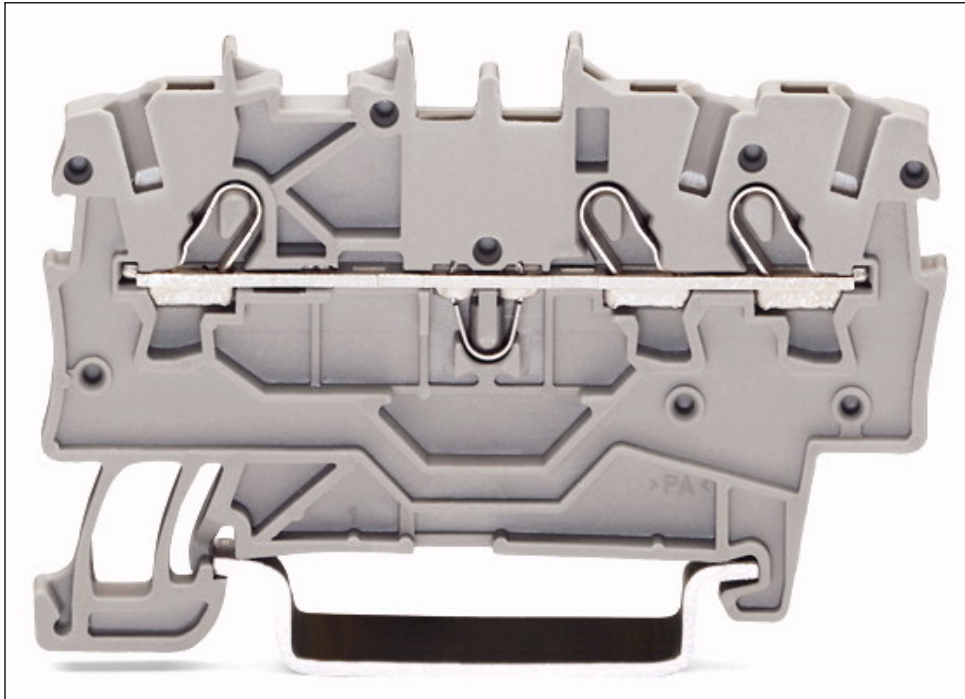
Technical data

Miscellaneous

| | |
|--------------------------------------|------------------|
| | |
| Ratings per | IEC/EN 60947-7-1 |
| Rated voltage (III / 3) [V] | 800 [V] |
| Rated impulse voltage (III / 3) [kV] | 8 [kV] |
| Rated current [A] | 13.5 [A] |
| Rated current (2) [A] | 18 [A] |

| Technical data | |
|--|---|
| Rated voltage EN (Ex e II) [V] | 550 [V] |
| Rated current (Ex e II) [A] | 13 [A] |
| Rated current (Ex e II) with jumper [A] | 12 [A] |
| Legend (ratings) | (III / 3) Overvoltage category III / Pollution degree 3 |
| Type of wiring | Front-entry wiring |
| Total number of connection points | 3 |
| Total number of potentials | 1 |
| Number of levels | 1 |
| Connection technology | Push-in CAGE CLAMP® |
| Actuation type | Push-in |
| Connectable conductor materials | Copper |
| Nominal cross section | 1 mm ² |
| Solid conductor | 0.14 ... 1.5 mm ² / 24 ... 16 AWG |
| Solid conductor, push-in termination | 0.5 ... 1.5 mm ² / 20 ... 16 AWG |
| Fine-stranded conductor | 0.14 ... 1.5 mm ² / 24 ... 16 AWG |
| Fine-stranded conductor with ferrule, push-in termination, f | 0.5 mm ² / 20 AWG |
| Strip length | 9 ... 11 mm / 0.35 ... 0.43 Inch |
| Width | 3.5 mm / 0.138 Inch |
| Height from upper-edge of DIN-35 rail | 32.9 mm / 1.295 Inch |
| Depth | 58.2 mm / 2.291 Inch |
| Design | horizontal |
| Type of mounting | Carrier rail 35 x 15 |
| Marking level | Center/side marking |
| Color | blue |
| Insulating material | Polyamide 66 (PA 66) |
| Fire load [MJ] | 0.092 [MJ] |
| Weight [g] | 4.32 [g] |
| Product Family | TOPJOB® S |
| Main product function | Through term. block |
| Product type | Through rail-mount term. blocks |

Images & drawings



Address

WAGO Kontakttechnik GmbH & Co. KG

Hansastr. 27

32423 Minden

Telefon: 0571/887-0

Fax: 0571/887-169

<http://www.wago.com>

© WAGO Kontakttechnik GmbH & Co. KG

Technische Änderungen und Irrtümer vorbehalten.