

PM-24 SERIES

Related Information

General terms and conditions.....P.1
 Glossary of terms / General precautions.....P.983~ / P.986~

Sensor selection guideP.11~ / P.409~
 Korea's S-markP.1034~



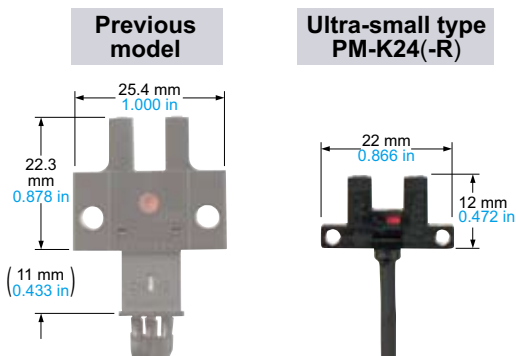
SUNX website <http://www.sunx.com>



Extremely small size enables space saving!!

Extremely small size and space saving

PM-24 series contributes to the miniaturization or space saving of your equipment.

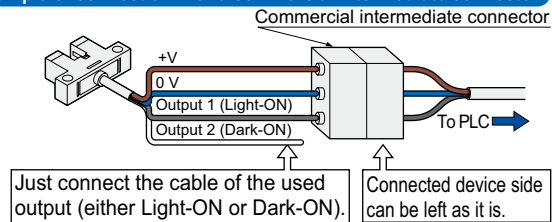


Equipped with two independent outputs

All models are equipped with two independent outputs- Light-ON and Dark-ON.

Hence, one model suffices even if the output is to be used differently, depending upon the location of use. Also, since two independent outputs have been provided, cumbersome handling of the output conversion control input, or fear of logic inversion due to a cable break, is eliminated. The sensor can be connected to the existing wiring as it is.

Example of connection with a commercial intermediate connector



Note: Ensure to insulate the unused output wire.

Wide model variety

A wide variety of 5 shapes and 15 models is available. You may select from this wide range to suit the mounting conditions.

Meets global requirements

Conforms to Europe's EMC Directive and obtains UL Recognition. Both, NPN and PNP output models are available. The PM- 24 has also obtained Korea's S-mark certification.

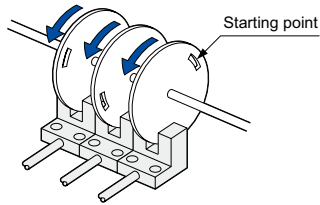
Selection Guide
U-shaped
PM-64
PM-24
PM-44/54
Convergent Reflective
PM2

ORDER GUIDE
P.420SPECIFICATIONS
P.421I/O CIRCUIT DIAGRAMS
P.422SENSING CHARACTERISTICS
P.422PRECAUTIONS FOR PROPER USE
P.423DIMENSIONS
P.424

APPLICATIONS

Sensing the starting point on a rotating body

The starting point can be sensed by making a slit in the rotating body.



ORDER GUIDE

Type	Appearance (mm in)	Sensing range	Model No. (Note)	Output	Output operation
Ultra-small		5 mm 0.197 in (fixed)	PM-K24	NPN open-collector transistor	Incorporated with 2 outputs: Light-ON / Dark-ON
			PM-K24P	PNP open-collector transistor	
			PM-K24-R	NPN open-collector transistor	
			PM-L24	NPN open-collector transistor	
			PM-L24P	PNP open-collector transistor	
			PM-L24-R	NPN open-collector transistor	
			PM-F24	NPN open-collector transistor	
			PM-F24P	PNP open-collector transistor	
			PM-F24-R	NPN open-collector transistor	
			PM-R24	NPN open-collector transistor	
			PM-R24P	PNP open-collector transistor	
			PM-R24-R	NPN open-collector transistor	
			PM-U24	NPN open-collector transistor	
			PM-U24P	PNP open-collector transistor	
			PM-U24-R	NPN open-collector transistor	

Note: The suffix "R" indicates a flexible cable type.

3 m 9.843 ft cable length type

3 m 9.843 ft cable length type (standard: 1 m 3.281 ft) is also available. (excluding flexible cable type and PNP output type)

When ordering this type, suffix "C3" to the model No.

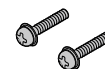
(e.g.) 3m 9.843 ft cable length type of PM-K24 is "PM-K24-C3".

OPTIONS

Designation	Model No.	Description
Mounting screw	MS-M2	Mounting screw with washers for the ultra-small type sensor (50 pcs. lot). It can mount securely as it is spring washer attached.

Mounting screw

MS-M2



FIBER SENSORS

LASER SENSORS

PHOTO-ELECTRIC SENSORS

MICRO PHOTO-ELECTRIC SENSORS

AREA SENSORS

SAFETY COMPONENTS

PRESSURE SENSORS

INDUCTIVE PROXIMITY SENSORS

PARTICULAR USE SENSORS

SENSOR OPTIONS

WIRE- SAVING SYSTEMS

MEASURE- MENT SENSORS

STATIC CONTROL DEVICES

LASER MARKERS

Selection Guide

U-shaped

PM-64

PM-24

PM-44/54

Convergent Reflective

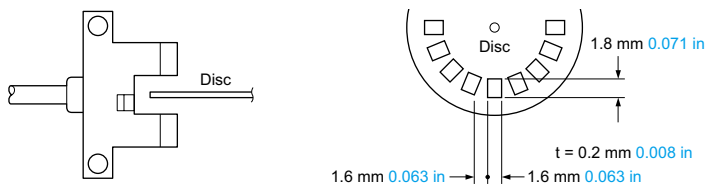
PM2

SPECIFICATIONS

Item	Model No.	Type	Ultra-small	
				With flexible cable
		NPN output	PM- 24	PM- 24 -R
		PNP output	PM- 24 P	—
Sensing range			5 mm 0.197 in (fixed)	
Minimum sensing object			0.8 × 1.8 mm 0.031 × 0.071 in opaque object	
Hysteresis			0.05 mm 0.002 in or less	
Repeatability			0.03 mm 0.001 in or less	
Supply voltage			5 to 24 V DC ± 10 % Ripple P-P 10 % or less	
Current consumption			15 mA or less	
Output			<NPN output type> NPN open-collector transistor <ul style="list-style-type: none"> • Maximum sink current: 50 mA • Applied voltage: 30 V DC or less (between output and 0 V) • Residual voltage: 0.7 V or less (at 50 mA sink current) 0.4 V or less (at 16 mA sink current) 	<PNP output type> PNP open-collector transistor <ul style="list-style-type: none"> • Maximum source current: 50 mA • Applied voltage: 30 V DC or less (between output and + V) • Residual voltage: 0.7 V or less (at 50 mA source current) 0.4 V or less (at 16 mA source current)
Utilization category			DC-12 or DC-13	
Output operation			Incorporated with 2 outputs: Light-ON / Dark-ON	
Response time			Under light received condition: 20 μs or less Under light interrupted condition: 100 μs or less (Response frequency: 1 kHz or more) (Note 2)	
Operation indicator			Vermilion LED (lights up under light received condition)	
Environmental resistance	Pollution degree		3 (Industrial environment)	
	Ambient temperature (Note 3, 4)		-25 to +55 °C -13 to +131 °F (No dew condensation or icing allowed), Storage: -30 to +80 °C -22 to +176 °F	
	Ambient humidity		35 to 85 % RH, Storage: 35 to 85 % RH	
	Ambient illuminance		Fluorescent light: 1,000 lx at the light-receiving face	
	EMC		EN 60947-5-2	
	Voltage withstandability		1,000 V AC for one min. between all supply terminals connected together and enclosure	
	Insulation resistance		50 MΩ, or more, with 250 V DC megger between all supply terminals connected together and enclosure	
	Vibration resistance		10 to 2,000 Hz frequency, 1.5 mm 0.059 in amplitude in X, Y and Z directions for two hours each	
	Shock resistance		15,000 m/s ² acceleration (1,500 G approx.) in X, Y and Z directions for three times each	
Emitting element			Infrared LED (Peak emission wavelength: 940 nm 0.037 mil, non-modulated)	
Material			Enclosure: PBT, Slit cover: Polycarbonate	
Cable			0.09 mm ² 4-core cabtyre cable [PM- 24-R: 0.1 mm ² flexible, oil and heat resistant cabtyre cable (Note 5)], 1 m 3.281 ft long	
Cable extension			Extension up to total 100 m 328.084 ft is possible with 0.3 mm ² , or more, cable.	
Weight			Net weight: 10 g approx.	

Notes: 1) Where measurement conditions have not been specified precisely, the conditions used were an ambient temperature of +23 °C +73.4 °F.

2) The response frequency is the value when the disc, given in the figure below, is rotated.



3) In case the ultra-small type PM- 24(-R) is used at an ambient temperature of +50 °C +122 °F, or more, make sure to mount it on a metal body.

4) Take care that the flexibility of the PM- 24-R cable is lost if the ambient temperature is -10 °C +14 °F or less.

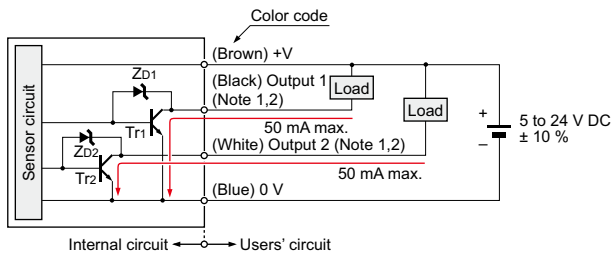
5) The cable of PM- 24-R is a flexible cable usable on a moving base. When the sensor is mounted on a moving base, fix the sensor cable joint so that stress is not applied to it. (Models other than the PM- 24-R cannot be used on a moving base.)

I/O CIRCUIT AND WIRING DIAGRAMS

PM-24 PM-24-R

NPN output type

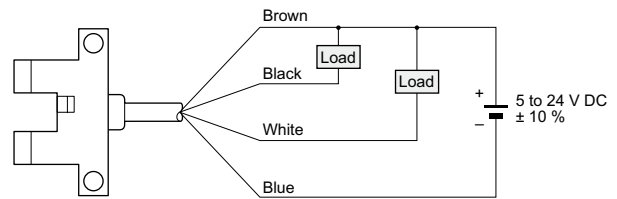
I/O circuit diagram



- Notes: 1) Make sure to connect terminals correctly as the sensor does not incorporate a reverse polarity protection circuit. Further, the output is not incorporated with a short-circuit protection circuit. Do not connect it directly to a power supply or a capacitive load. Faulty wiring may result in damage.
2) Ensure to insulate the unused output wire.

Symbols ... ZD1, ZD2 : Surge absorption zener diode
Tr1, Tr2 : NPN output transistor

Wiring diagram



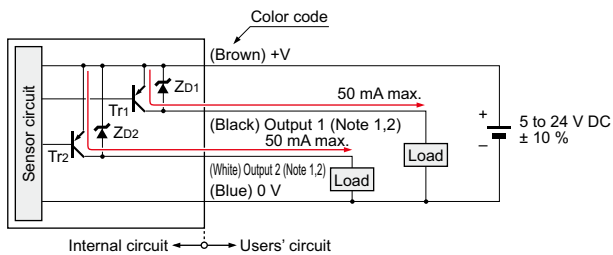
Output operation

	Color code	Output operation
Output 1	Black	Light-ON
Output 2	White	Dark-ON

PM-24P

PNP output type

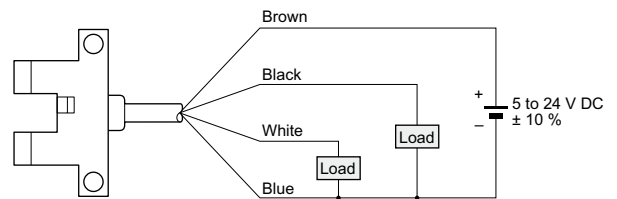
I/O circuit diagram



- Notes: 1) Make sure to connect terminals correctly as the sensor does not incorporate a reverse polarity protection circuit. Further, the output is not incorporated with a short-circuit protection circuit. Do not connect it directly to a power supply or a capacitive load. Faulty wiring may result in damage.
2) Ensure to insulate the unused output wire.

Symbols ... ZD1, ZD2 : Surge absorption zener diode
Tr1, Tr2 : PNP output transistor

Wiring diagram

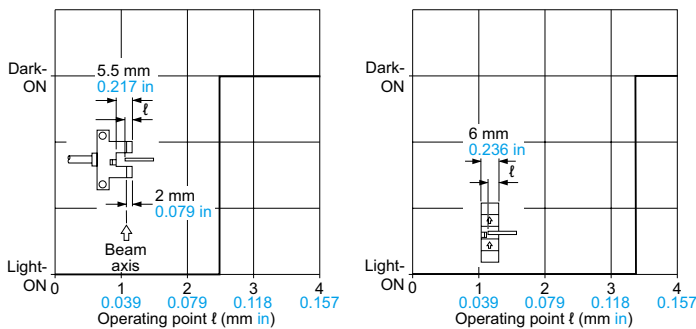


Output operation

	Color code	Output operation
Output 1	Black	Light-ON
Output 2	White	Dark-ON

SENSING CHARACTERISTICS (TYPICAL)

Sensing position



FIBER SENSORS

LASER SENSORS

PHOTO-ELECTRIC SENSORS

MICRO PHOTO-ELECTRIC SENSORS

AREA SENSORS

SAFETY COMPONENTS

PRESSURE SENSORS

INDUCTIVE PROXIMITY SENSORS

PARTICULAR USE SENSORS

SENSOR OPTIONS

WIRE-SAVING SYSTEMS

MEASUREMENT SENSORS

STATIC CONTROL DEVICES

LASER MARKERS

Selection Guide

U-shaped

PM-64

PM-24

PM-44/54

Convergent Reflective

PM2

FIBER
SENSORSLASER
SENSORSPHOTO-
ELECTRIC
SENSORSMICRO
PHOTO-
ELECTRIC
SENSORSAREA
SENSORSSAFETY
COMPONENTSPRESSURE
SENSORSINDUCTIVE
PROXIMITY
SENSORSPARTICULAR
USE
SENSORSSENSOR
OPTIONSWIRE-
SAVING
SYSTEMSMEASURE-
MENT
SENSORSSTATIC
CONTROL
DEVICESLASER
MARKERSSelection
Guide

U-shaped

PM-64**PM-24****PM-44/54**Convergent
Reflective**PM2****PRECAUTIONS FOR PROPER USE**

Refer to p.986~ for general precautions.



- Never use this product as a sensing device for personnel protection.
- In case of using sensing devices for personnel protection, use products which meet laws and standards, such as OSHA, ANSI or IEC etc., for personnel protection applicable in each region or country.

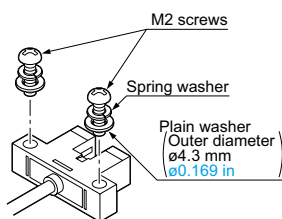


Make sure to connect terminals correctly as the sensor does not incorporate a reverse polarity protection circuit. Further, the output is not incorporated with a short-circuit protection circuit. Do not connect it directly to a power supply or a capacitive load. Faulty wiring may result in damage.

Mounting

- When fixing the sensor with screws, use M2 screws and the tightening torque should be 0.15 N·m or less. Further, use small, round type plain washers. (ø4.3 mm ø0.169 in)

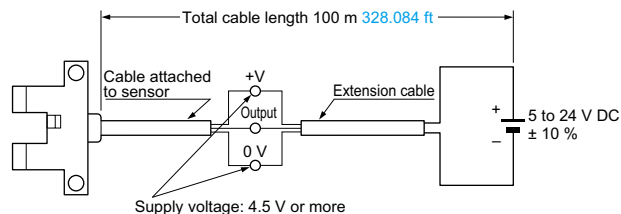
When using the optional mounting screw set MS-M2, a spring washer is included.



- In case PM- 24(-R) is used at an ambient temperature of +50 °C +122 °F, or more, make sure to mount it on a metal body.

Cable extension

- Cable extension is possible up to an overall length of 100 m 328.084 ft with a 0.3 mm², or more, cable. However, since a voltage drop shall occur due to the cable extension, ensure that the power supply voltage at the end of the cable attached to the sensor is within the rating.

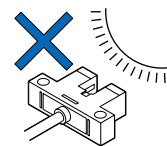


But, when the overall cable length, including the cable attached to the sensor, is as given below, there is no need to confirm the voltage.

Conductor cross-section area of extension cable	Total cable length
0.08 to 0.1 mm ²	Up to 5 m 16.404 ft
0.2 mm ²	Up to 10 m 32.808 ft
0.3 mm ²	Up to 20 m 65.617 ft

Others

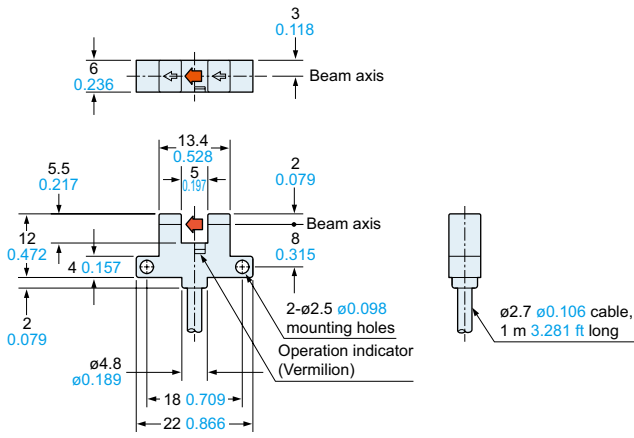
- Since the sensor is intended for use inside machines, no special countermeasures have been taken against extraneous light. Take care that extraneous light is not directly incident on the beam receiving section.
- Do not use during the initial transient time (50 ms) after the power supply is switched on.
- The cable of PM- 24-R is a flexible cable usable on a moving base. When the sensor is mounted on a moving base, fix the sensor cable joint so that stress is not applied to it. (Models other than the PM- 24-R cannot be used on a moving base.)
- Take care that the flexibility of the PM- 24-R cable is lost if the ambient temperature is -10 °C +14 °F or less.



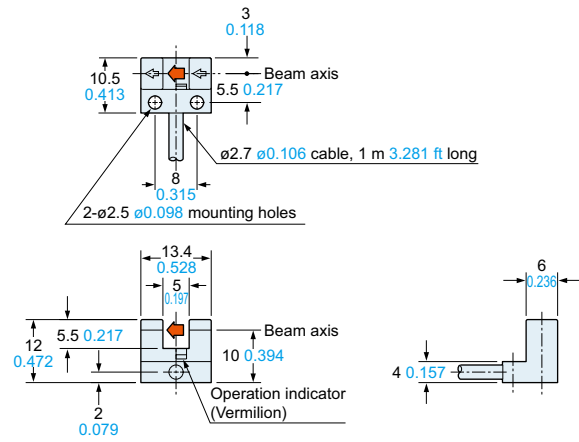
DIMENSIONS (Unit: mm in)

The CAD data in the dimensions can be downloaded from the SUNX website: <http://www.sunx.com>

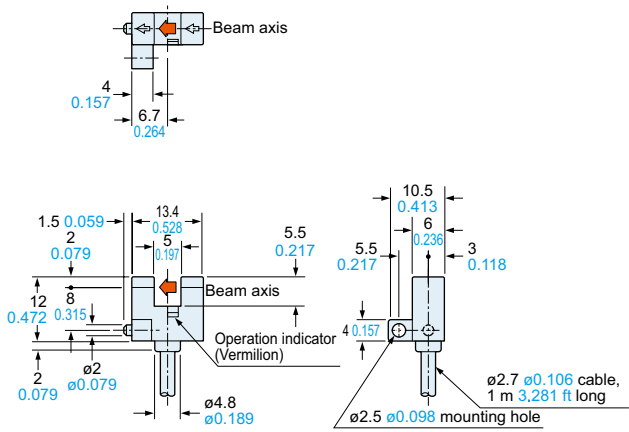
PM-K24(P) PM-K24-R Sensor



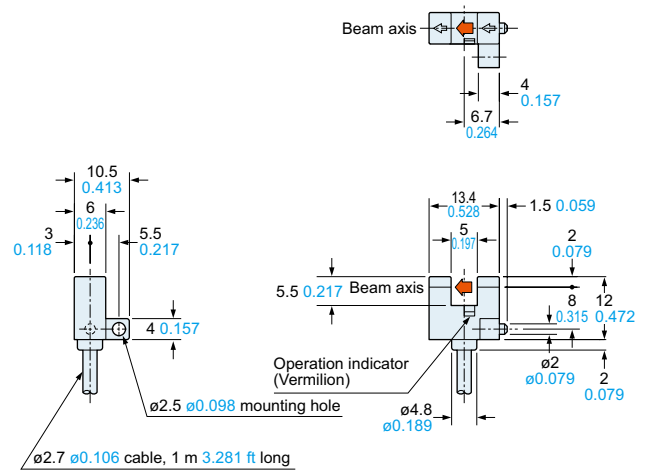
PM-L24(P) PM-L24-R Sensor



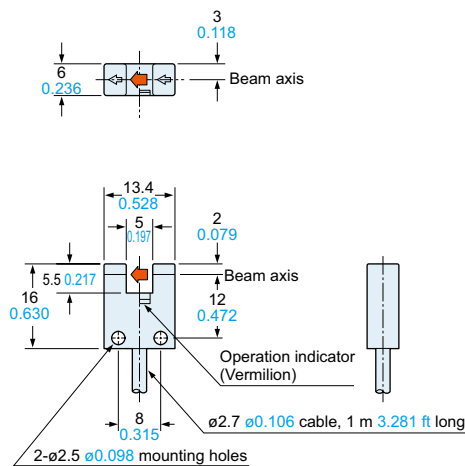
PM-F24(P) PM-F24-R Sensor



PM-R24(P) PM-R24-R Sensor



PM-U24(P) PM-U24-R Sensor



FIBER SENSORS

LASER SENSORS

PHOTO-ELECTRIC SENSORS

MICRO PHOTO-ELECTRIC SENSORS

AREA SENSORS

SAFETY COMPONENTS

PRESSURE SENSORS

INDUCTIVE PROXIMITY SENSORS

PARTICULAR USE SENSORS

SENSOR OPTIONS

WIRE-SAVING SYSTEMS

MEASUREMENT SENSORS

STATIC CONTROL DEVICES

LASER MARKERS

Selection Guide

U-shaped

PM-64

PM-24

PM-44/54

Convergent Reflective

PM2