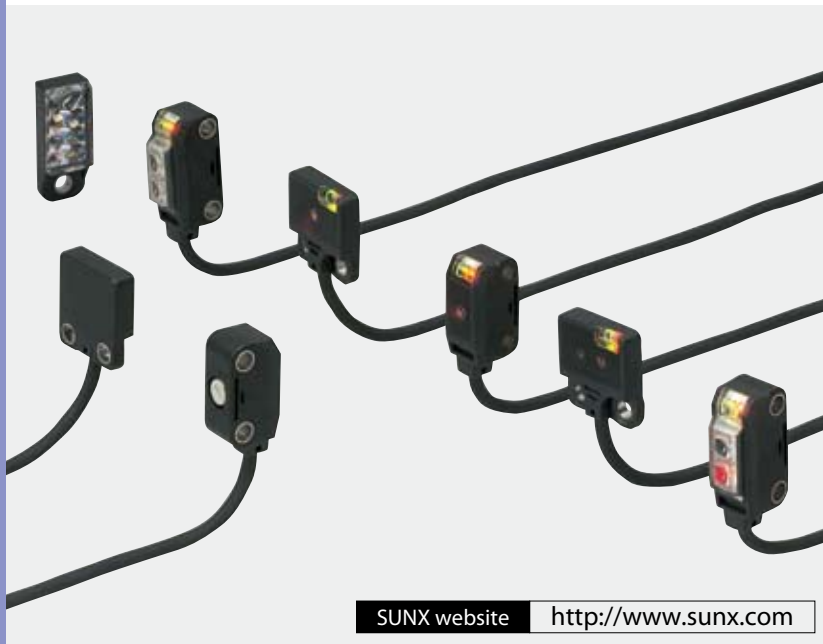


# EX-20 SERIES

Related Information

General terms and conditions .....P.1  
 Glossary of terms / General precautions .....P.983~ / P.986~

Sensor selection guide .....P.11~ / P.229~  
 Korea's S-mark..... P.1034~



SUNX website <http://www.sunx.com>



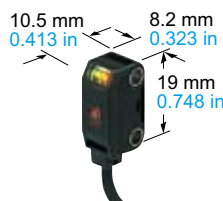
- FIBER SENSORS
- LASER SENSORS
- PHOTOELECTRIC SENSORS
- MICRO PHOTOELECTRIC SENSORS
- AREA SENSORS
- SAFETY COMPONENTS
- PRESSURE SENSORS
- INDUCTIVE PROXIMITY SENSORS
- PARTICULAR USE SENSORS
- SENSOR OPTIONS
- WIRE-SAVING SYSTEMS
- MEASUREMENT SENSORS
- STATIC CONTROL DEVICES
- LASER MARKERS

- Selection Guide
- Amplifier Built-in
- CX-400**
- EX-10**
- EX-20**
- EX-30**
- EX-40**
- EQ-30**
- EQ-500**
- MQ-W**
- RX-LS200**
- RX**
- CY**
- PX-2**
- RT-610**
- Power Supply Built-in
- NX5**
- VF**
- Amplifier-separated
- SU-7 / SH**
- SS-A5 / SH**
- Other Products

## Miniature-sized and still mountable with M3 screws

### Miniaturization by using single chip optical IC

The beam-receiving photodiode and the A/D conversion circuit have been fabricated on a single chip optical IC (full custom). Hence, in spite of its miniature size, it has a performance and reliability which is equal to or better than the conventional product.



### Incorporates a sensitivity adjuster even in this size

The sensor incorporates a sensitivity adjuster in spite of its miniature size. It is convenient when you need fine adjustment. Further, the receiver of the thru-beam, side sensing type sensor incorporates an operation mode switch which can change the output operation.

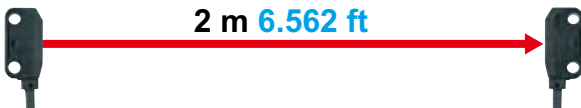


## BASIC PERFORMANCE

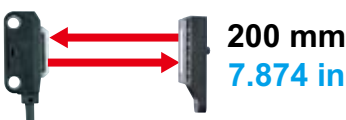
### Long sensing range

The EX-20 series achieves long distance sensing [thru-beam type: 2 m **6.562 ft**, retroreflective type: 200 mm **7.874 in** (when using the attached reflector), diffuse reflective type: 160 mm **6.299 in**], despite its miniature size. Hence, it is usable even on a wide conveyor.

Thru-beam type



Retroreflective type

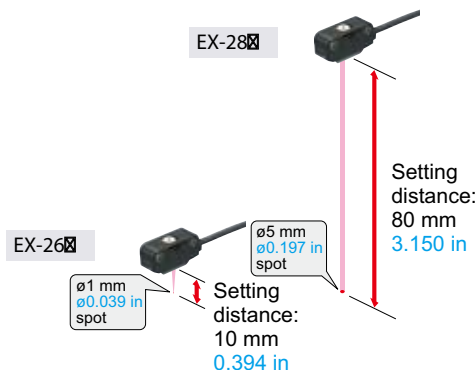


Diffuse reflective type



### Clear beam spot using red LED dot light source

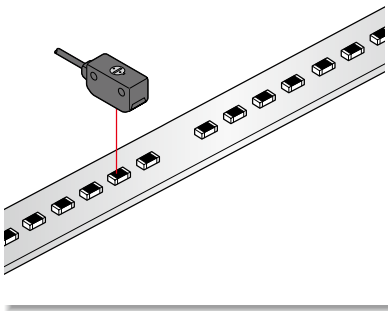
The emission area of a dot light source is smaller than that of a conventional LED flat light source, and it is possible to design a high power, narrow beam. Since a red LED dot light source is used, the red beam spot is clear even at a far place, so that alignment and confirmation of sensing position is easy. Further, since the thru-beam type, too, incorporates a visible narrow beam, it can also reliably detect small parts, such as, chip components, lead frames, etc.



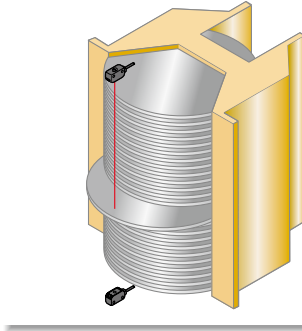
ORDER GUIDE  
P.271~SPECIFICATIONS  
P.274I/O CIRCUIT DIAGRAMS  
P.275SENSING CHARACTERISTICS  
P.275~PRECAUTIONS FOR PROPER USE  
P.278DIMENSIONS  
P.279~

## APPLICATIONS

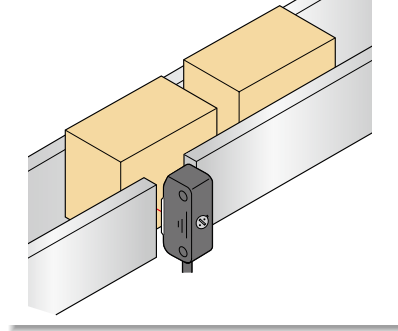
## Detecting chip components



## Checking protrusion of wafer



## Sensing objects from an opening



## ENVIRONMENTAL RESISTANCE

## Waterproof IP67 (IEC)

The sensor can be hosed down because of its IP67 construction. Further, the sensor mounting bracket is also made of stainless steel.

Note: However, take care that if it is exposed to water splashes during operation, it may detect a water drop itself.

## FUNCTIONS

## Bright 2-color indicator

A bright 2-color indicator has been incorporated in all types. (Orange LED: Operation indicator, Green LED: Stability indicator)

## VARIETIES

## Two types for suitable mounting

Two types, side sensing type and front sensing type sensors are available. Select depending on the place of mounting.

## Side sensing type



(With sensitivity adjuster)

## Front sensing type

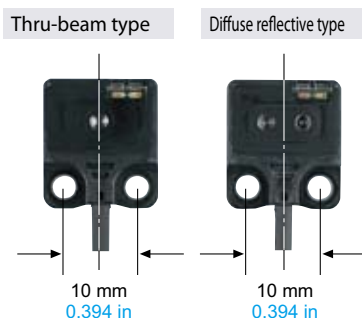


(Without sensitivity adjuster)

## MOUNTING

## Identical size

Front sensing type of thru-beam type and diffuse reflective type sensors have identical appearance. Moreover, since the mounting holes are symmetrical with respect to the beam axis center, the design becomes easy.



## Mounting section reinforced

It can be tightened with M3 screws. Moreover, metal inserts have been provided in the mounting holes so that the product is not damaged even in case of excess tightening.

## Side sensing type



## Front sensing type

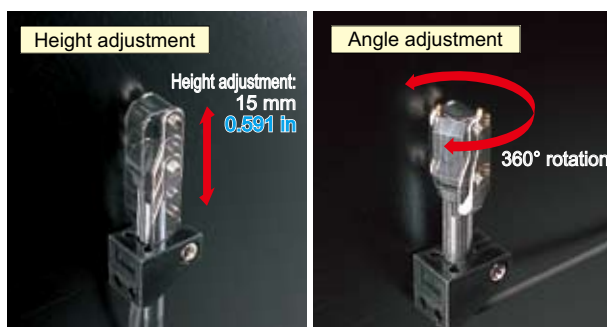


Metal inserts  
Mountable with M3 screw

## OPTIONS

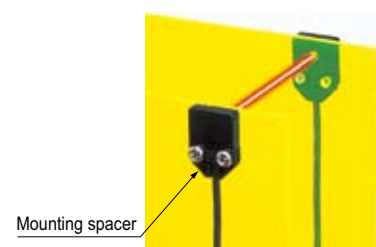
## Universal sensor mounting bracket is available

Universal sensor mounting bracket (for thru-beam side sensing type EX-23 only) which can freely adjust the height and the angle of the sensor is available.



## Mounting spacer for front sensing type is available

Mounting of the front sensing type is possible from the rear side by using the mounting spacer.



## Slit mask is available

ø0.5 mm ø0.020 in round slit mask and 0.5 × 3 mm 0.020 × 0.118 in rectangular slit mask are available for both side sensing type and front sensing type sensors.

FIBER SENSORS

LASER SENSORS

PHOTOELECTRIC SENSORS

MICRO PHOTOELECTRIC SENSORS

AREA SENSORS

SAFETY COMPONENTS

PRESSURE SENSORS

INDUCTIVE PROXIMITY SENSORS

PARTICULAR USE SENSORS

SENSOR OPTIONS

WIRE-SAVING SYSTEMS

MEASUREMENT SENSORS

STATIC CONTROL DEVICES

LASER MARKERS

Selection Guide

Amplifier Built-in

CX-400

EX-10

EX-20

EX-30

EX-40

EQ-30

EQ-500

MQ-W

RX-LS200

RX

CY

PX-2

RT-610

Power Supply Built-in

NX5

VF

Amplifier-separated

SU-7 / SH

SS-A5 / SH

Other Products

ORDER GUIDE

FIBER SENSORS

LASER SENSORS

PHOTO-ELECTRIC SENSORS

MICRO PHOTO-ELECTRIC SENSORS

AREA SENSORS

SAFETY COMPONENTS

PRESSURE SENSORS

INDUCTIVE PROXIMITY SENSORS

PARTICULAR USE SENSORS

SENSOR OPTIONS

WIRE- SAVING SYSTEMS

MEASUREMENT SENSORS

STATIC CONTROL DEVICES

LASER MARKERS

Selection Guide

Amplifier Built-in

**CX-400**

**EX-10**

**EX-20**

**EX-30**

**EX-40**

**EQ-30**

**EQ-500**

**MQ-W**

**RX-LS200**

**RX**

**CY**

**PX-2**

**RT-610**

Power Supply Built-in

**NX5**

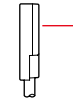
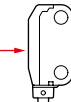
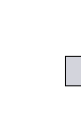
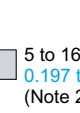

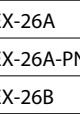
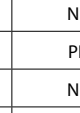
**VF**

Amplifier-separated

**SU-7 / SH**

**SS-A5 / SH**

Other Products

Type	Appearance	Sensing range	Model No. (Note 3)	Output	Output operation	
Thru-beam	Front sensing	 1 m 3.281 ft	EX-21A	NPN open-collector transistor	Light-ON	
			EX-21A-PN	PNP open-collector transistor		
	Side sensing	 2 m 6.562 ft	EX-21B	NPN open-collector transistor	Dark-ON	
			EX-21B-PN	PNP open-collector transistor		
Retroreflective	Side sensing	 30 to 200 mm 1.181 to 7.874 in (Note 1)	EX-23	NPN open-collector transistor	Switchable either Light-ON or Dark-ON	
			EX-23-PN	PNP open-collector transistor		
			EX-29A	NPN open-collector transistor	Light-ON	
			EX-29A-PN	PNP open-collector transistor		
Diffuse reflective	Side sensing	 5 to 160 mm 0.197 to 6.299 in (Note 2)	EX-29B	NPN open-collector transistor	Dark-ON	
			EX-29B-PN	PNP open-collector transistor		
			EX-22A	NPN open-collector transistor	Light-ON	
			EX-22A-PN	PNP open-collector transistor		
Convergent reflective	Diffused beam type		EX-22B	NPN open-collector transistor	Dark-ON	
			EX-22B-PN	PNP open-collector transistor		
			EX-24A	NPN open-collector transistor	Light-ON	
			EX-24A-PN	PNP open-collector transistor		
	Small spot beam type	Side sensing		EX-24B	NPN open-collector transistor	Dark-ON
				EX-24B-PN	PNP open-collector transistor	
				EX-26A	NPN open-collector transistor	Light-ON
				EX-26A-PN	PNP open-collector transistor	
Narrow-view reflective	Long distance spot beam type		EX-26B	NPN open-collector transistor	Dark-ON	
			EX-26B-PN	PNP open-collector transistor		
			EX-28A	NPN open-collector transistor	Light-ON	
			EX-28A-PN	PNP open-collector transistor		
			EX-28B	NPN open-collector transistor	Dark-ON	
			EX-28B-PN	PNP open-collector transistor		

NOTE: Mounting bracket is not supplied with the sensor. Please select from the range of optional sensor mounting brackets (four types) or universal sensor mounting bracket (for EX-23 only). (Refer to p.273)

Notes: 1) The sensing range of the retroreflective type sensor is specified for the RF-200 reflector.

Further, the sensing range is the possible setting range for the reflector.

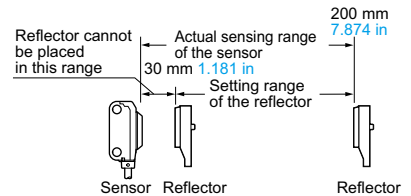
The sensor can detect an object less than 30 mm 1.181 in away.

However, if the reflector is set 100 mm 3.937 in or less away, the sensing object should be opaque.

2) In case of using this product at a sensing range of 50 mm 1.969 in or less, take care that the sensitivity adjustment range becomes extremely narrow.

3) The model No. with suffix "P" shown on the label affixed to the thru-beam type sensor is the emitter, "D" shown on the label is the receiver.

(e.g.) Emitter of EX-21A: EX-21P, Receiver of EX-21A: EX-21AD



## ORDER GUIDE

### Package without reflector

Retroreflective type is also available without the reflector RF-200.  
When ordering this type, suffix "-Y" to the model No.  
(e.g.) Without reflector type of EX-29A-PN is "EX-29A-PN-Y".

### 5 m 16.404 ft cable length type

5 m 16.404 ft cable length type (standard: 2 m 6.562 ft) is also available for NPN output type (including package without reflector of retroreflective type sensor).  
When ordering this type, suffix "-C5" to the model No.  
(e.g.) 5 m 16.404 ft cable length type of EX-29A-Y is "EX-29A-Y-C5".

### Accessory

- RF-200 (Reflector)

FIBER  
SENSORSLASER  
SENSORSPHOTO-  
ELECTRIC  
SENSORSMICRO  
PHOTO-  
ELECTRIC  
SENSORSAREA  
SENSORSSAFETY  
COMPONENTSPRESSURE  
SENSORSINDUCTIVE  
PROXIMITY  
SENSORSPARTICULAR  
USE  
SENSORSSENSOR  
OPTIONSWIRE-  
SAVING  
SYSTEMSMEASURE-  
MENT  
SENSORSSTATIC  
CONTROL  
DEVICESLASER  
MARKERSSelection  
GuideAmplifier  
Built-in**CX-400****EX-10**

EX-20

**EX-30****EX-40****EQ-30****EQ-500****MQ-W**

RX-LS200

**RX****CY****PX-2****RT-610**Power Supply  
Built-in**NX5****VF**Amplifier-  
separated**SU-7 / SH****SS-A5 / SH**Other  
Products

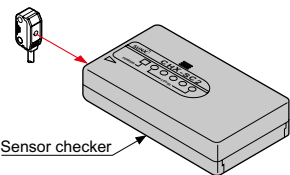
OPTIONS

Designation	Model No.	Description	
Round slit mask (For thru-beam type sensor only)	OS-EX20-05 (Slit size $\varnothing 0.5$ mm 0.020 in)	For front sensing type	Slit on one side Sensing range: 200 mm 7.874 in Min. sensing object: $\varnothing 2.6$ mm $\varnothing 0.102$ in
		For side sensing type	Slit on both sides Sensing range: 40 mm 1.575 in Min. sensing object: $\varnothing 0.5$ mm $\varnothing 0.020$ in
	OS-EX20E-05 (Slit size $\varnothing 0.5$ mm 0.020 in)	For front sensing type	Slit on one side Sensing range: 350 mm 13.780 in Min. sensing object: $\varnothing 3$ mm $\varnothing 0.118$ in
		For side sensing type	Slit on both sides Sensing range: 70 mm 2.756 in Min. sensing object: $\varnothing 0.5$ mm $\varnothing 0.020$ in
Rectangular slit mask (For thru-beam type sensor only)	OS-EX20-05×3 (Slit size 0.5 × 3 mm 0.020 × 0.118 in)	For front sensing type	Slit on one side Sensing range: 600 mm 23.622 in Min. sensing object: $\varnothing 2.6$ mm $\varnothing 0.102$ in
		For side sensing type	Slit on both sides Sensing range: 300 mm 11.811 in Min. sensing object: 0.5 × 3 mm 0.020 × 0.118 in
	OS-EX20E-05×3 (Slit size 0.5 × 3 mm 0.020 × 0.118 in)	For front sensing type	Slit on one side Sensing range: 800 mm 31.496 in Min. sensing object: $\varnothing 3$ mm $\varnothing 0.118$ in
		For side sensing type	Slit on both sides Sensing range: 400 mm 15.748 in Min. sensing object: 0.5 × 3 mm 0.020 × 0.118 in
Reflector (For retroreflective type sensor only)	RF-210	Sensing range: 50 to 400 mm 1.969 to 15.748 in Min. sensing object: $\varnothing 30$ mm $\varnothing 1.181$ in	
Reflector mounting bracket	MS-RF21-1	Protective mounting bracket for RF-210 It protects the reflector from damage and maintains alignment.	
Reflective tape (For retroreflective type sensor only)	RF-11	Ambient temperature: -25 to +50 °C -13 to +122 °F Ambient humidity: 35 to 85 % RH	Sensing range: 70 to 200 mm 2.756 to 7.874 in
	RF-12	Notes Keep the tape free from stress. If it is pressed too much, its capability may deteriorate. Do not cut the tape. It will deteriorate the sensing performance.	Sensing range: 60 to 280 mm 2.362 to 11.024 in
Sensor mounting bracket	MS-EX20-1	Back angled mounting bracket for front sensing type sensor (The thru-beam type sensor needs two brackets.)	
	MS-EX20-2	Foot angled mounting bracket for side sensing type sensor (The thru-beam type sensor needs two brackets.)	
	MS-EX20-3	L-shaped mounting bracket for front sensing type sensor (The thru-beam type sensor needs two brackets.)	
	MS-EX20-4	Back angled mounting bracket for side sensing type sensor (The thru-beam type sensor needs two brackets.)	
Universal sensor mounting bracket [For EX-23 only]	MS-EX20-5	It can adjust the height and the angle of the sensor. (Two brackets are needed.)	
Mounting spacer (For front sensing type sensor only)	MS-EX20-FS	It is used when mounting the front sensing type from the rear side. (One set consists of 10 pcs.)	
Sensor checker (Note)	CHX-SC2	It is useful for beam alignment of thru-beam type sensors. The optimum receiver position is given by indicators, as well as an audio signal.	

Note: Refer to p.800 for details of the sensor checker CHX-SC2.

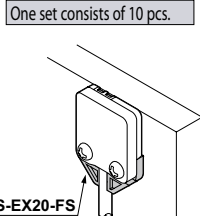
Sensor checker

- CHX-SC2



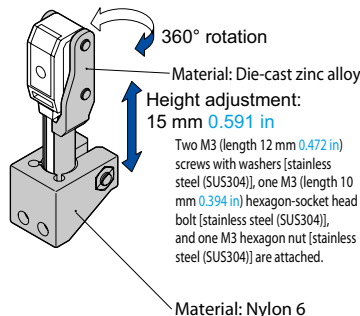
Mounting spacer

- MS-EX20-FS



Universal sensor mounting bracket

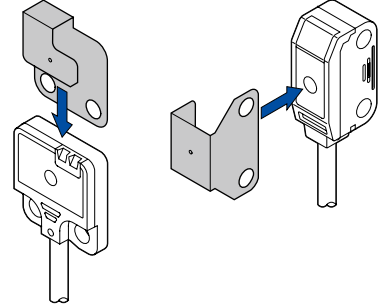
- MS-EX20-5



Round slit mask

Fitted on the front face of the sensor with one-touch.

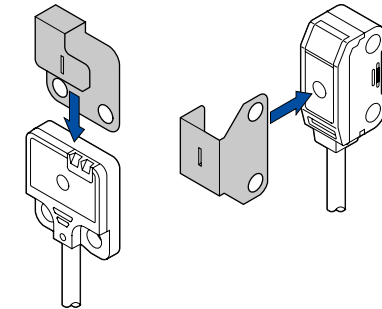
- OS-EX20-05
- OS-EX20E-05



Rectangular slit mask

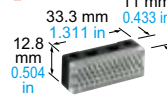
Fitted on the front face of the sensor with one-touch.

- OS-EX20-05×3
- OS-EX20E-05×3



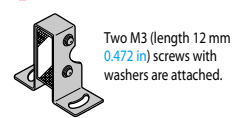
Reflector

- RF-210



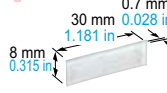
Reflector mounting bracket

- MS-RF21-1

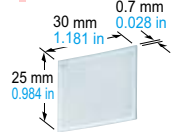


Reflective tape

- RF-11

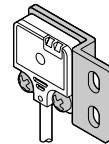


- RF-12



Sensor mounting bracket

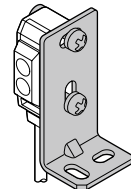
- MS-EX20-1



Material: Stainless steel (SUS304)

Two M3 (length 5 mm 0.197 in) pan head screws [stainless steel (SUS304)], one M3 (length 10 mm 0.394 in) hexagon-socket head bolt [stainless steel (SUS304)] are attached.

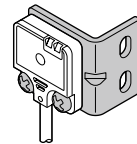
- MS-EX20-2



Material: Stainless steel (SUS304)

Two M3 (length 14 mm 0.551 in) screws with washers [stainless steel (SUS304)] are attached.

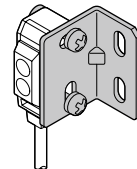
- MS-EX20-3



Material: Stainless steel (SUS304)

Two M3 (length 5 mm 0.197 in) pan head screws [stainless steel (SUS304)] are attached.

- MS-EX20-4



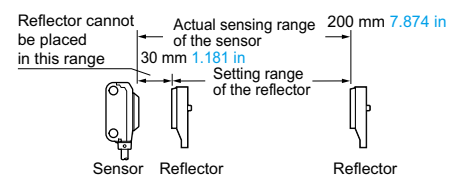
Material: Stainless steel (SUS304)

Two M3 (length 14 mm 0.551 in) screws with washers [stainless steel (SUS304)] are attached.

SPECIFICATIONS

Item	Model No. (Note 2)	Type	Thru-beam		Retroreflective	Diffuse reflective	Convergent reflective		Narrow-view reflective	
			Front sensing	Side sensing	Side sensing	Side sensing	Diffused beam type	Small spot beam type	Long distance spot beam type	
			Light-ON	EX-21A(-PN)	EX-23(-PN) (Note 3)	EX-29A(-PN)	EX-22A(-PN)	EX-24A(-PN)	EX-26A(-PN)	EX-28A(-PN)
Dark-ON	EX-21B(-PN)		EX-29B(-PN)	EX-22B(-PN)	EX-24B(-PN)	EX-26B(-PN)	EX-28B(-PN)			
Sensing range			1 m 3.281 ft	2 m 6.562 ft	30 to 200 mm 1.181 to 7.874 in (Note 4)	5 to 160 mm 0.197 to 6.299 in (Note 5) with white non-glossy paper (200 x 200 mm) (7.874 x 7.874 in)	2 to 25 mm 0.079 to 0.984 in (Conv. point: 10 mm 0.394 in) with white non-glossy paper (50 x 50 mm) (1.969 x 1.969 in)	6 to 14 mm 0.236 to 0.551 in (Conv. point: 10 mm 0.394 in) with white non-glossy paper (50 x 50 mm) 1.969 x 1.969 in, spot diameter ø1 mm ø0.039 in with setting distance 10 mm 0.394 in	45 to 115 mm 1.772 to 4.528 in with white non-glossy paper (100 x 100 mm) 3.937 x 3.937 in, spot diameter ø5 mm ø0.197 in with setting distance 80 mm 3.150 in	
Sensing object			Min. ø2.6 mm ø0.102 in opaque object (Setting distance between emitter and receiver: 1 m 3.281 ft)	Min. ø3 mm ø0.118 in opaque object (Setting distance between emitter and receiver: 2 m 6.562 ft)	ø15 mm ø0.591 in or more opaque or translucent object (Note 4, 6)	Opaque, translucent or transparent object (Note 6)	Min. ø0.1 mm ø0.004 in copper wire (Setting distance: 10 mm 0.394 in)	Min. ø0.1 mm ø0.004 in copper wire (Setting distance: 10 mm 0.394 in)	Opaque, translucent or transparent object (Note 6) (Min. ø1 mm ø0.039 in copper wire at setting distance 80 mm 3.150 in)	
Hysteresis			—			15 % or less of operation distance [50 x 50 mm 1.969 x 1.969 in (EX-22 : 200 x 200 mm 7.874 x 7.874 in, EX-28 : 100 x 100 mm 3.937 x 3.937 in) (with white non-glossy paper)]				
Repeatability (perpendicular to sensing axis)			0.05 mm 0.002 in or less		0.5 mm 0.020 in or less	0.3 mm 0.012 in or less	0.1 mm 0.004 in or less (Setting distance: 10 mm 0.394 in)	0.05 mm 0.002 in or less (Setting distance: 10 mm 0.394 in)	0.3 mm 0.012 in or less	
Supply voltage			12 to 24 V DC ± 10 % Ripple P-P 10 % or less							
Current consumption			Emitter: 10 mA or less, Receiver: 15 mA or less		20 mA or less					
Output			<NPN output type> NPN open-collector transistor • Maximum sink current: 50 mA • Applied voltage: 30 V DC or less (between output and 0 V) • Residual voltage: 1 V or less (at 50 mA sink current) 0.4 V or less (at 16 mA sink current)			<PNP output type> PNP open-collector transistor • Maximum source current: 50 mA • Applied voltage: 30 V DC or less (between output and +V) • Residual voltage: 1 V or less (at 50 mA source current) 0.4 V or less (at 16 mA source current)				
	Utilization category		DC-12 or DC-13							
	Short-circuit protection		Incorporated							
Response time			0.5 ms or less							
Operation indicator			Orange LED (lights up when the output is ON) (thru-beam type: located on the receiver)							
Stability indicator			Green LED (lights up under stable light received condition or stable dark condition), located on the receiver		Green LED (lights up under stable light received condition or stable dark condition)					
Sensitivity adjuster			—	Continuously variable adjuster, located on the emitter	Continuously variable adjuster	—	—	Continuously variable adjuster	—	
Operation mode switch			—	Located on the receiver	—	—	—	—	—	
Environmental resistance	Pollution degree		3 (Industrial environment)							
	Protection		IP67 (IEC) (Refer to p.984 for details of standards.)							
	Ambient temperature		-25 to +55 °C -13 to +131 °F (No dew condensation or icing allowed), Storage: -30 to +70 °C -22 to +158 °F							
	Ambient humidity		35 to 85 % RH, Storage: 35 to 85 % RH							
	Ambient illuminance		Incandescent light: 3,000 lx at the light-receiving face							
	EMC		EN 60947-5-2							
	Voltage withstandability		1,000 V AC for one min. between all supply terminals connected together and enclosure							
	Insulation resistance		20 MΩ, or more, with 250 V DC megger between all supply terminals connected together and enclosure							
	Vibration resistance		10 to 500 Hz frequency, 3 mm 0.118 in amplitude (20 G max.) in X, Y and Z directions for two hours each							
Shock resistance		500 m/s <sup>2</sup> acceleration (50 G approx.) in X, Y and Z directions for three times each								
Emitting element			Red LED (modulated)							
Peak emission wavelength			640 nm 0.025 mil	650 nm 0.026 mil	680 nm 0.027 mil	680 nm 0.027 mil	680 nm 0.027 mil	650 nm 0.026 mil	650 nm 0.026 mil	
Material			Enclosure: Polyethylene terephthalate, Lens: Polyallylate							
Cable			0.1 mm <sup>2</sup> 3-core (thru-beam type sensor emitter: 2-core) cabtyre cable, 2 m 6.562 ft long							
Cable extension			Extension up to total 50 m 164.042 ft is possible with 0.3 mm <sup>2</sup> , or more, cable (thru-beam type: both emitter and receiver).							
Weight			Net weight (each emitter and receiver): 20 g approx. Gross weight: 60 g approx.		Net weight: 20 g approx., Gross weight: 45 g approx.					
Accessories			—	Adjusting screwdriver: 1 pc.	RF-200 (Reflector): 1 pc. Adjusting screwdriver: 1 pc.	Adjusting screwdriver: 1 pc.	—	Adjusting screwdriver: 1 pc.	—	

- Notes: 1) Where measurement conditions have not been specified precisely, the conditions used were an ambient temperature of +23 °C +73.4 °F.  
 2) Model Nos. having the suffix "-PN" are PNP output type.  
 3) Either Light-ON or Dark-ON can be selected by the operation mode switch (located on the receiver).  
 4) The sensing range and the sensing object of the retroreflective type sensor are specified for the RF-200 reflector. Further, the sensing range is the possible setting range for the reflector. The sensor can detect an object less than 30 mm 1.181 in away. However, if the reflector is set 100 mm 3.937 in or less away, the sensing object should be opaque.  
 5) In case of using this product at a sensing range of 50 mm 1.969 in or less, take care that the sensitivity adjustment range becomes extremely narrow.  
 6) Make sure to confirm detection with an actual sensor before use.



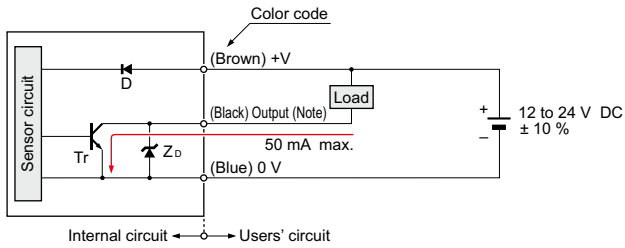
FIBER SENSORS  
 LASER SENSORS  
 PHOTO-ELECTRIC SENSORS  
 MICRO PHOTO-ELECTRIC SENSORS  
 AREA SENSORS  
 SAFETY COMPONENTS  
 PRESSURE SENSORS  
 INDUCTIVE PROXIMITY SENSORS  
 PARTICULAR USE SENSORS  
 SENSOR OPTIONS  
 WIRE- SAVING SYSTEMS  
 MEASURE- MENT SENSORS  
 STATIC CONTROL DEVICES  
 LASER MARKERS  
 Selection Guide  
 Amplifier Built-in  
**CX-400**  
**EX-10**  
**EX-20**  
**EX-30**  
**EX-40**  
**EQ-30**  
**EQ-500**  
**MQ-W**  
**RX-LS200**  
**RX**  
**CY**  
**PX-2**  
**RT-610**  
 Power Supply Built-in  
**NX5**  
**VF**  
 Amplifier-separated  
**SU-7 / SH**  
**SS-A5 / SH**  
 Other Products

- FIBER SENSORS
- LASER SENSORS
- PHOTO-ELECTRIC SENSORS
- MICRO PHOTO-ELECTRIC SENSORS
- AREA SENSORS
- SAFETY COMPONENTS
- PRESSURE SENSORS
- INDUCTIVE PROXIMITY SENSORS
- PARTICULAR USE SENSORS
- SENSOR OPTIONS
- WIRE- SAVING SYSTEMS
- MEASURE- MENT SENSORS
- STATIC CONTROL DEVICES
- LASER MARKERS

## I/O CIRCUIT AND WIRING DIAGRAMS

### NPN output type

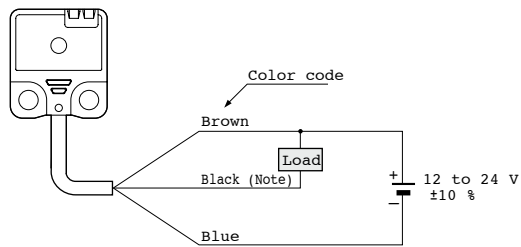
#### I/O circuit diagram



Note: The emitter of the thru-beam type sensor does not incorporate the output.

Symbols ... D : Reverse supply polarity protection diode  
 ZD : Surge absorption zener diode  
 Tr : NPN output transistor

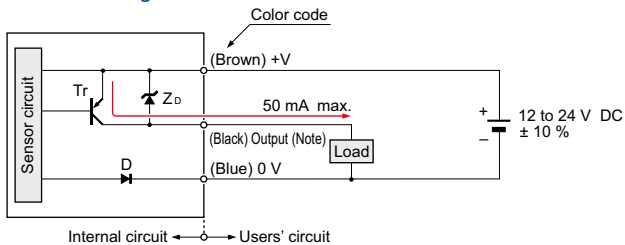
#### Wiring diagram



Note: The emitter of the thru-beam type sensor does not incorporate the black wire.

### PNP output type

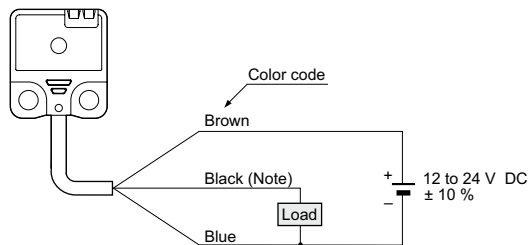
#### I/O circuit diagram



Note: The emitter of the thru-beam type sensor does not incorporate the output.

Symbols ... D : Reverse supply polarity protection diode  
 ZD : Surge absorption zener diode  
 Tr : PNP output transistor

#### Wiring diagram

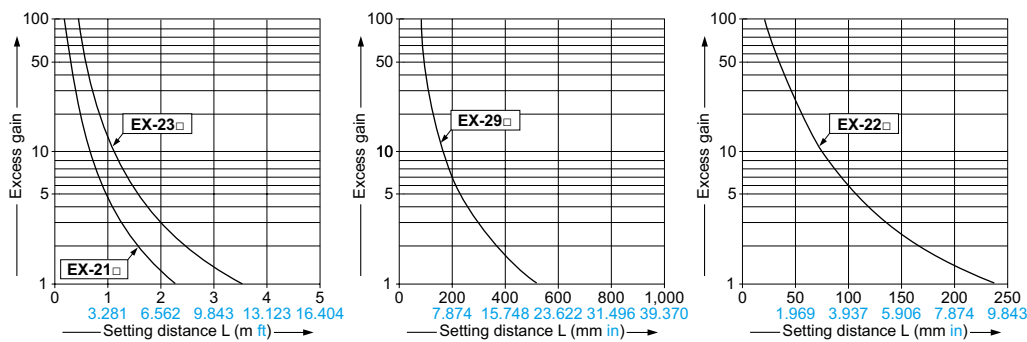


Note: The emitter of the thru-beam type sensor does not incorporate the black wire.

## SENSING CHARACTERISTICS (TYPICAL)

EX-21 EX-23 EX-29 EX-22

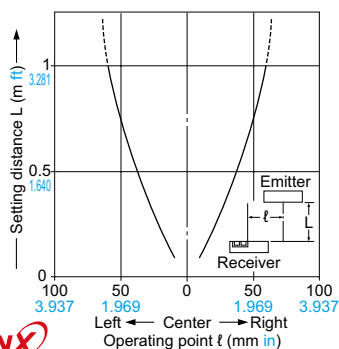
### Correlation between setting distance and excess gain



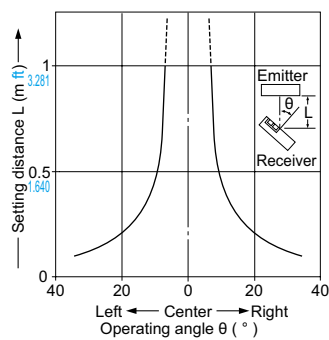
### EX-21

### Thru-beam type

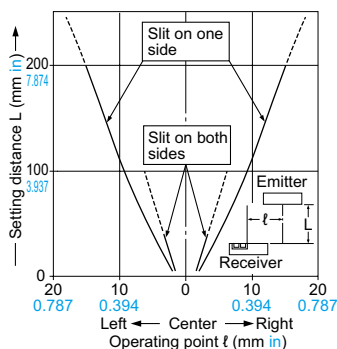
#### Parallel deviation



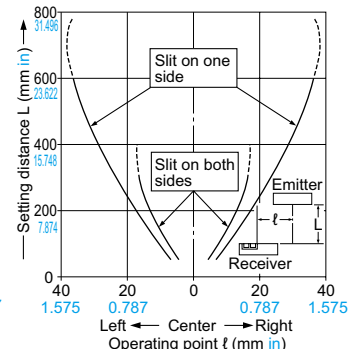
#### Angular deviation



#### Parallel deviation with round slit masks (ø0.5 mm ø0.020 in)



#### Parallel deviation with rectangular slit masks (0.5 x 3 mm 0.020 x 0.118 in)

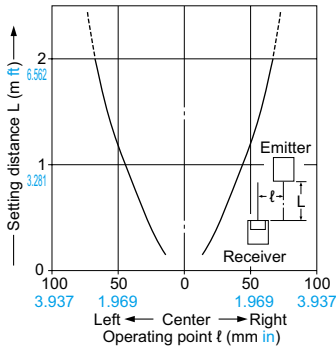


SENSING CHARACTERISTICS (TYPICAL)

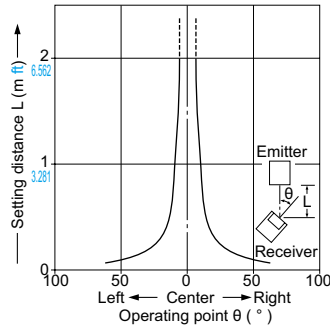
EX-23

Thru-beam type

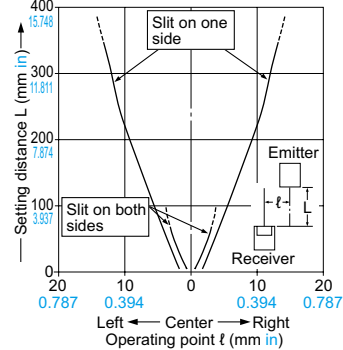
Parallel deviation



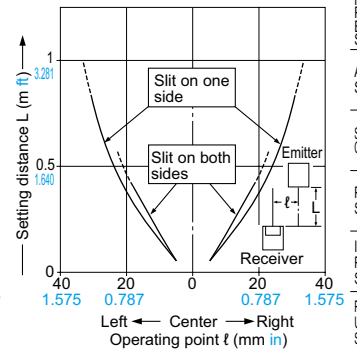
Angular deviation



Parallel deviation with round slit masks (ø0.5 mm ø0.020 in)



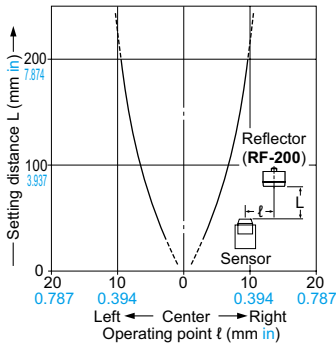
Parallel deviation with rectangular slit masks (0.5 x 3 mm 0.020 x 0.118 in)



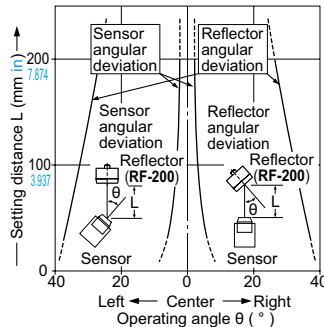
EX-29

Retroreflective type

Parallel deviation



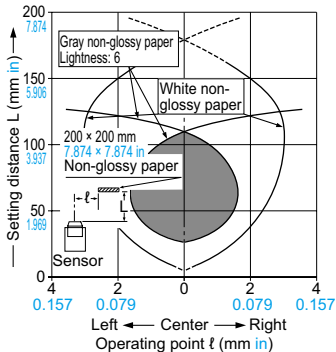
Angular deviation



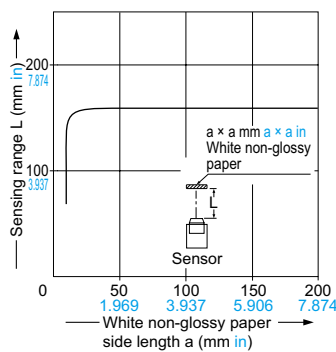
EX-22

Diffuse reflective type

Sensing field



Correlation between sensing object size and sensing range



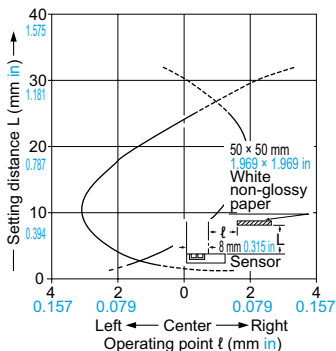
As the sensing object size becomes smaller than the standard size (white non-glossy paper 200 x 200 mm 7.874 x 7.874 in), the sensing range shortens, as shown in the left graph.

EX-24

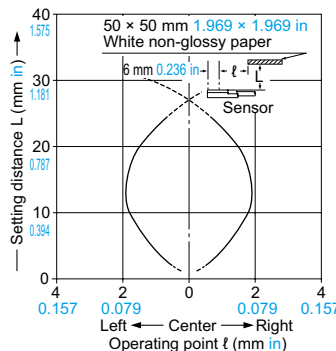
Convergent reflective type

Sensing fields

Horizontal (left and right) direction



Vertical (up and down) direction



FIBER SENSORS

LASER SENSORS

PHOTO-ELECTRIC SENSORS

MICRO PHOTO-ELECTRIC SENSORS

AREA SENSORS

SAFETY COMPONENTS

PRESSURE SENSORS

INDUCTIVE PROXIMITY SENSORS

PARTICULAR USE SENSORS

SENSOR OPTIONS

WIRE-SAVING SYSTEMS

MEASUREMENT SENSORS

STATIC CONTROL DEVICES

LASER MARKERS

Selection Guide

Amplifier Built-in

CX-400

EX-10

EX-20

EX-30

EX-40

EQ-30

EQ-500

MQ-W

RX-L5200

RX

CY

PX-2

RT-610

Power Supply Built-in

NX5

VF

Amplifier-separated

SU-7 / SH

SS-A5 / SH

Other Products



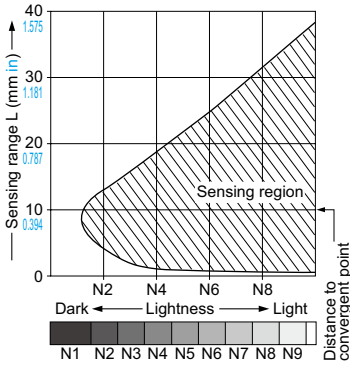
SENSING CHARACTERISTICS (TYPICAL)

- FIBER SENSORS
- LASER SENSORS
- PHOTO-ELECTRIC SENSORS
- MICRO PHOTO-ELECTRIC SENSORS
- AREA SENSORS
- SAFETY COMPONENTS
- PRESSURE SENSORS
- INDUCTIVE PROXIMITY SENSORS
- PARTICULAR USE SENSORS
- SENSOR OPTIONS
- WIRE-SAVING SYSTEMS
- MEASUREMENT SENSORS
- STATIC CONTROL DEVICES
- LASER MARKERS
- Selection Guide
- Amplifier Built-in
- CX-400
- EX-10
- EX-20
- EX-30
- EX-40
- EQ-30
- EQ-500
- MQ-W
- RX-LS200
- RX
- CY
- PX-2
- RT-610
- Power Supply Built-in
- NX5
- VF
- Amplifier-separated
- SU-7 / SH
- SS-A5 / SH
- Other Products

EX-24

Convergent reflective type

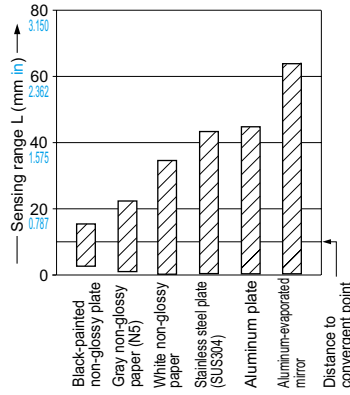
Correlation between lightness and sensing range



The sensing region (typical) is represented by oblique lines in the left figure. However, the sensitivity should be set with enough margin because of slight variation in products.

(Lightness shown on the left may differ slightly from the actual object condition.)

Correlation between material (50 x 50 mm 1.969 x 1.969 in) and sensing range



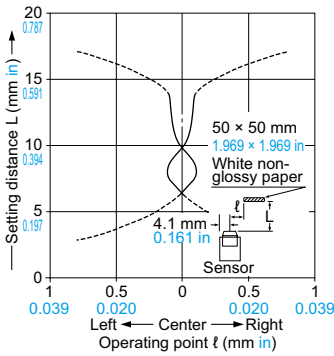
The bars in the graph indicate the sensing range (typical) for the respective material. However, there is a slight variation in the sensing range depending on the product. Further, if there is a reflective object (conveyor, etc.) in the background of the sensing object, since it affects the sensing, separate it by more than twice the sensing range shown in the left graph.

EX-26

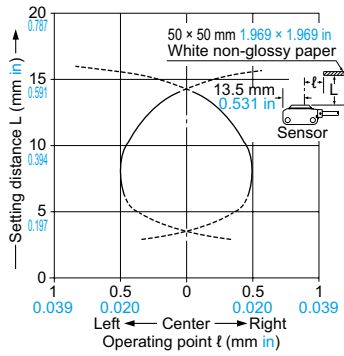
Convergent reflective type

Sensing fields

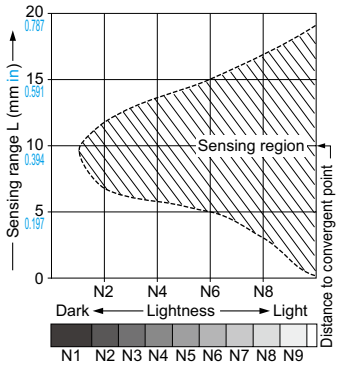
Horizontal (left and right) direction



Vertical (up and down) direction



Correlation between lightness and sensing range

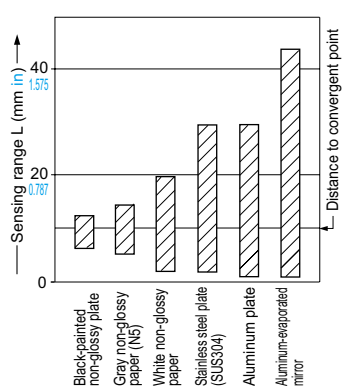


The sensing region (typical) is represented by oblique lines in the left figure. However, the sensitivity should be set with enough margin because of slight variation in products.

(The graph is drawn for the maximum sensitivity setting.)

(Lightness shown on the left may differ slightly from the actual object condition.)

Correlation between material (50 x 50 mm 1.969 x 1.969 in) and sensing range



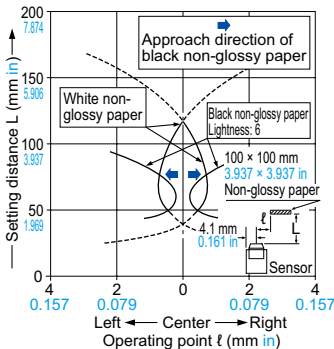
The bars in the graph indicate the sensing range (typical) for the respective material. However, there is a slight variation in the sensing range depending on the product. Further, if there is a reflective object (conveyor, etc.) in the background of the sensing object, since it affects the sensing, separate it by more than twice the sensing range shown in the left graph, or adjust the sensitivity adjuster.

(The graph is drawn for the maximum sensitivity setting.)

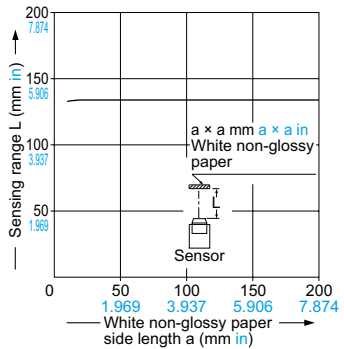
EX-28

Narrow-view reflective type

Sensing field



Correlation between sensing object size and sensing range



As the sensing object size becomes smaller than the standard size (white non-glossy paper 100 x 100 mm 3.937 x 3.937 in), the sensing range shortens, as shown in the left graph.

**PRECAUTIONS FOR PROPER USE**

Refer to p.986~ for general precautions.

FIBER SENSORS

LASER SENSORS

PHOTO-ELECTRIC SENSORS

MICRO PHOTO-ELECTRIC SENSORS

AREA SENSORS

SAFETY COMPONENTS

PRESSURE SENSORS

INDUCTIVE PROXIMITY SENSORS

PARTICULAR USE SENSORS

SENSOR OPTIONS

WIRE-SAVING SYSTEMS

MEASUREMENT SENSORS

STATIC CONTROL DEVICES

LASER MARKERS

Selection Guide

Amplifier Built-in

CX-400

EX-10

EX-20

EX-30

EX-40

EQ-30

EQ-500

MQ-W

RX-LS200

RX

CY

PX-2

RT-610

Power Supply Built-in

NX5


VF

Amplifier-separated

SU-7 / SH

SS-A5 / SH

Other Products

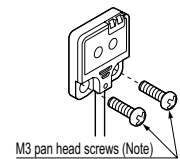


- Never use this product as a sensing device for personnel protection.
- In case of using sensing devices for personnel protection, use products which meet laws and standards, such as OSHA, ANSI or IEC etc., for personnel protection applicable in each region or country.

**Mounting**

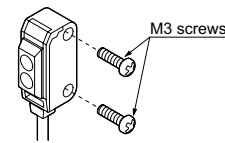
Mount using M3 screws. The tightening torque should be 0.5 N·m or less.

**Front sensing**



M3 pan head screws (Note)

**Side sensing**

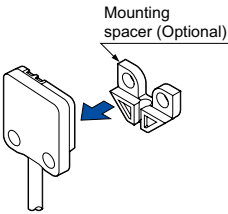


Note: When mounting the front sensing type sensor, use M3 pan head screws without washers, etc.

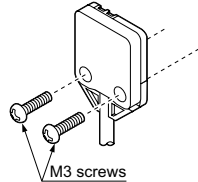
When mounting the front sensing type from the backside, fit the mounting spacer (MS-EX20-FS) and fix with screws.

**Mounting method**

- Fit the mounting spacer on the sensor.
- Align the mounting holes of the mounting spacer and the sensor and mount with M3 screws. The tightening torque should be 0.5 N·m or less.




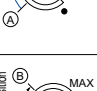


Mounting spacer (Optional)



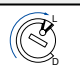

M3 screws

**Sensitivity adjustment (side sensing type only)**

Step	Sensitivity adjuster	Description
①		Turn the sensitivity adjuster fully counterclockwise to the minimum sensitivity position (· mark).
②		In the light received condition, turn the sensitivity adjuster slowly clockwise and confirm the point (A) where the sensor enters the "Light" state operation.
③		In the dark condition, turn the sensitivity adjuster further clockwise until the sensor enters the "Light" state operation and then bring it back to confirm point (B) where the sensor just returns to the "Dark" state operation. (If the sensor does not enter the "Light" state operation even when the sensitivity adjuster is turned fully clockwise, this extreme position is point (B).)
④		The position at the middle of points (A) and (B) the optimum sensing position.

Notes: 1) Use the attached adjusting screwdriver to turn the adjuster slowly. Turning with excessive strength will damage the adjuster.  
2) In case of using EX-22 at a sensing distance of 50 mm 1.969 in or less, take care that the sensitivity adjustment range becomes extremely narrow.

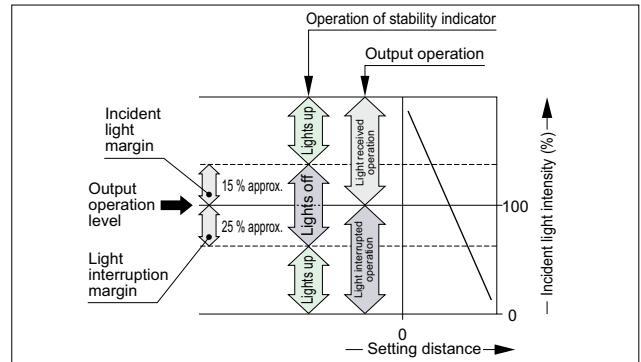
**Operation mode switch (EX-23 only)**

Switch position	Description
	Light-ON mode is obtained when the operation mode switch (located on the receiver) is turned fully clockwise (L side).
	Dark-ON mode is obtained when the operation mode switch (located on the receiver) is turned fully counterclockwise (D side).

Note: Operation mode switch should be turned fully till it stops.

**Stability indicator**

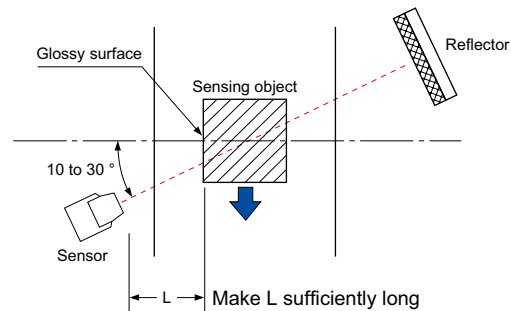
The stability indicator (green) lights up when the incident light intensity has sufficient margin with respect to the operation level.  
If the incident light intensity level is such that the stability indicator lights up, stable sensing can be done without the light received operation and the light interrupted operation being affected by a change in ambient temperature or supply voltage.



**Glossy object sensing (EX-29 )**

Please take care of the following points when detecting materials having a gloss.

- Make L, shown in the diagram, sufficiently long.
- Install at an angle of 10 to 30 degrees to the sensing object.



**Wiring**

Excess bending of the cable or stress applied to the cable may disconnect the internal lead wire.

**Others**

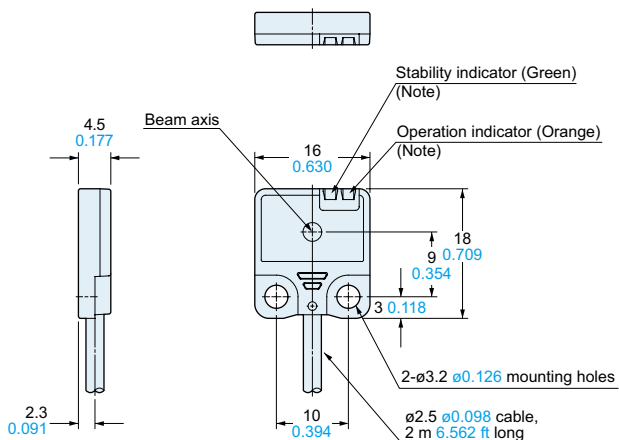
- Do not use during the initial transient time (50 ms) after the power supply is switched on.
- If sensors are mounted close together and the ambient temperature is near the maximum rated value, provide for enough heat radiation / ventilation.
- If a reflective object is present in the background, the sensing of EX-28 may be affected. When setting the sensor, make sure to confirm that the reflective object has no effect. In case the reflective object affects the sensing, take measures such as removing the reflective object or coloring it in black, etc.

**DIMENSIONS (Unit: mm in)**

The CAD data in the dimensions can be downloaded from the SUNX website: <http://www.sunx.com>

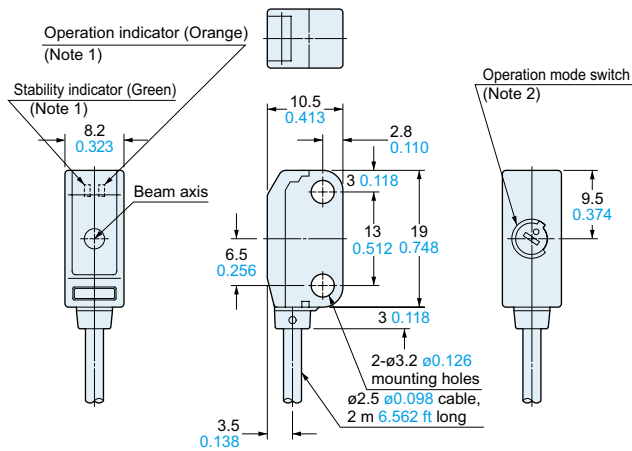
FIBER SENSORS
LASER SENSORS
PHOTO-ELECTRIC SENSORS
MICRO PHOTO-ELECTRIC SENSORS
AREA SENSORS
SAFETY COMPONENTS
PRESSURE SENSORS
INDUCTIVE PROXIMITY SENSORS
PARTICULAR USE SENSORS
SENSOR OPTIONS
WIRE-SAVING SYSTEMS
MEASUREMENT SENSORS
STATIC CONTROL DEVICES
LASER MARKERS
Selection Guide
Amplifier Built-in
<b>CX-400</b>
<b>EX-10</b>
<b>EX-20</b>
<b>EX-30</b>
<b>EX-40</b>
<b>EQ-30</b>
<b>EQ-500</b>
<b>MQ-W</b>
<b>RX-LS200</b>
<b>RX</b>
<b>CY</b>
<b>PX-2</b>
<b>RT-610</b>
Power Supply Built-in
<b>NX5</b>
<b>VF</b>
Amplifier-separated
<b>SU-7 / SH</b>
<b>SS-A5 / SH</b>
Other Products

**EX-21** Sensor



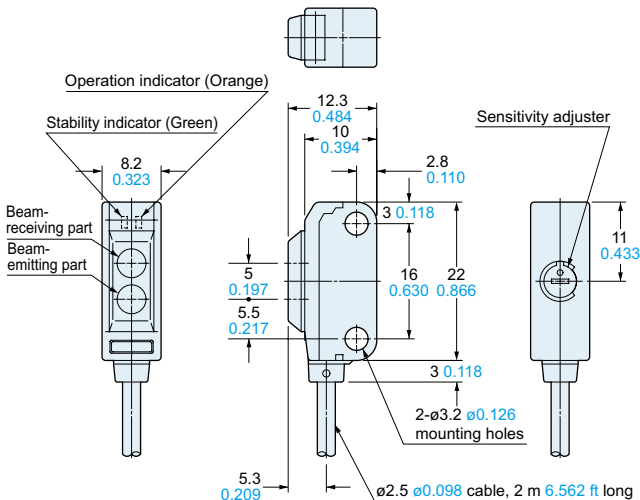
Note: Not incorporated on the emitter.

**EX-23** Sensor

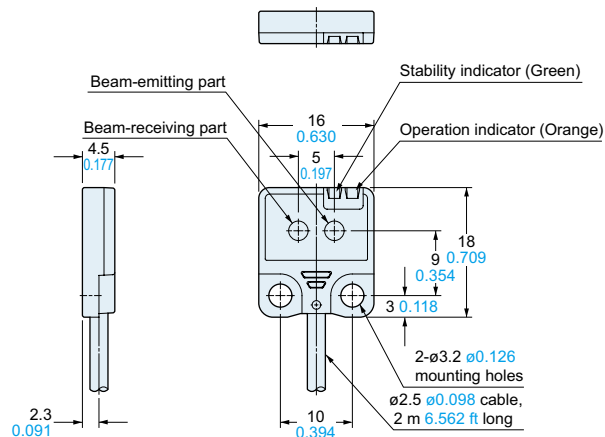


Notes: 1) Not incorporated on the emitter.  
2) It is the sensitivity adjuster on the emitter.

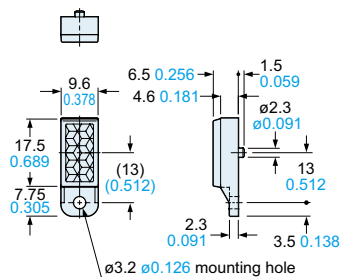
**EX-29** **EX-22** **EX-26** **EX-28** Sensor



**EX-24** Sensor

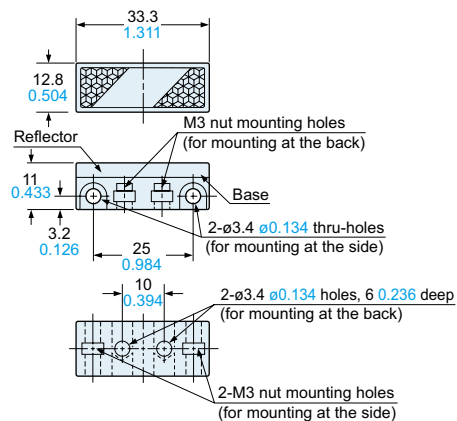


**RF-200** Reflector (Accessory for the retroreflective type sensor)



Material: Acrylic (Reflector)  
ABS (Base)

**RF-210** Reflector (Optional)



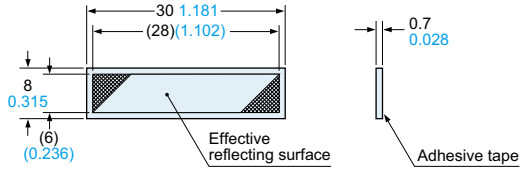
Material: Acrylic (Reflector) ABS (Base)

Two M3 (length 8 mm 0.315 in) screws with washers and two nuts are attached.

**DIMENSIONS (Unit: mm in)**

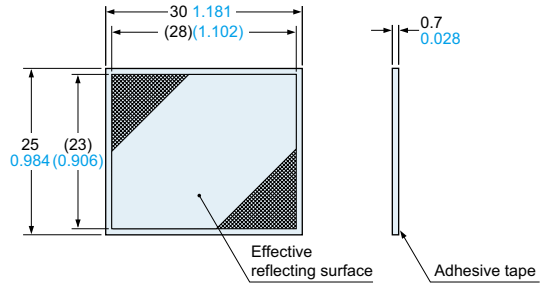
The CAD data in the dimensions can be downloaded from the SUNX website: <http://www.sunx.com>

**RF-11 Reflective tape (Optional)**



Material: Acrylic

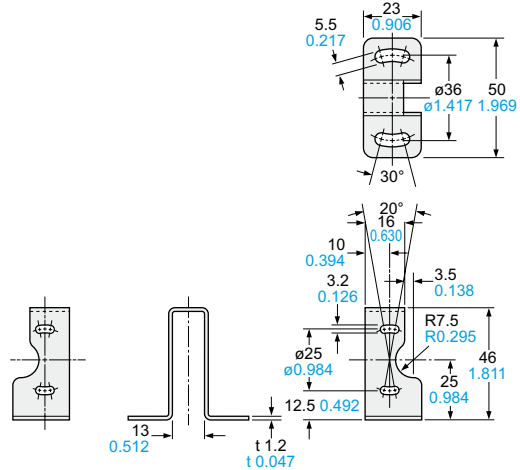
**RF-12 Reflective tape (Optional)**



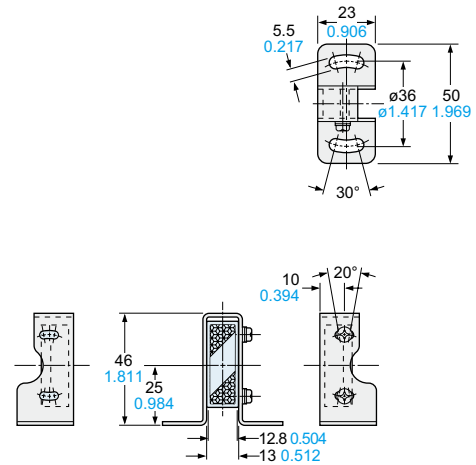
Material: Acrylic

**MS-RF21-1 Reflector mounting bracket for RF-210 (Optional)**

**Assembly dimensions**



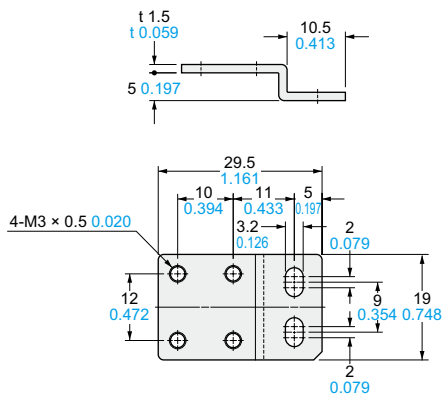
Material: Stainless steel (SUS304)  
Two M3 (length 12 mm 0.472 in) screws with washers are attached.



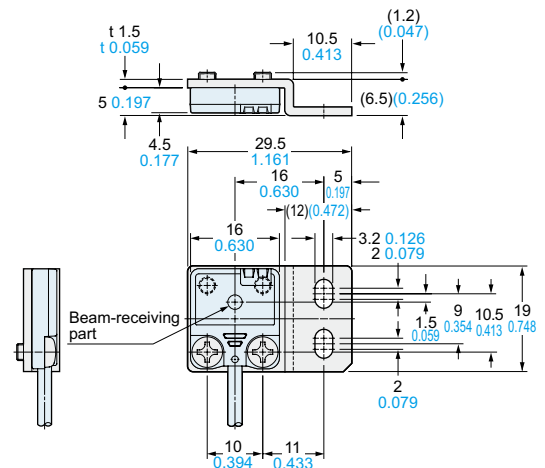
**MS-EX20-1 Sensor mounting bracket (Optional)**

**Assembly dimensions**

**Mounting drawing with EX-21**



Material: Stainless steel (SUS304)  
Two M3 (length 5 mm 0.197 in) pan head screws [stainless steel (SUS304)] are attached.



- FIBER SENSORS
- LASER SENSORS
- PHOTO-ELECTRIC SENSORS
- MICRO PHOTO-ELECTRIC SENSORS
- AREA SENSORS
- SAFETY COMPONENTS
- PRESSURE SENSORS
- INDUCTIVE PROXIMITY SENSORS
- PARTICULAR USE SENSORS
- SENSOR OPTIONS
- WIRE-SAVING SYSTEMS
- MEASUREMENT SENSORS
- STATIC CONTROL DEVICES
- LASER MARKERS
- Selection Guide
- Amplifier Built-in
- CX-400**
- EX-10**
- EX-20**
- EX-30**
- EX-40**
- EQ-30**
- EQ-500**
- MQ-W**
- RX-LS200**
- RX**
- CY**
- PX-2**
- RT-610**
- Power Supply Built-in
- NX5**
- VF**
- Amplifier-separated
- SU-7 / SH**
- SS-A5 / SH**
- Other Products

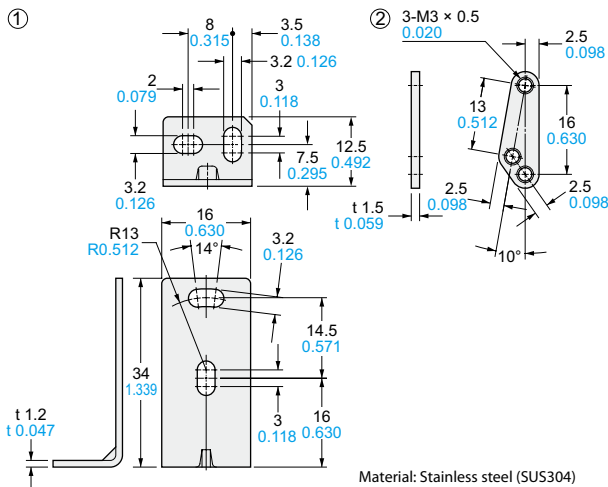
**DIMENSIONS (Unit: mm in)**

The CAD data in the dimensions can be downloaded from the SUNX website: <http://www.sunx.com>

- FIBER SENSORS
- LASER SENSORS
- PHOTO-ELECTRIC SENSORS
- MICRO PHOTO-ELECTRIC SENSORS
- AREA SENSORS
- SAFETY COMPONENTS
- PRESSURE SENSORS
- INDUCTIVE PROXIMITY SENSORS
- PARTICULAR USE SENSORS
- SENSOR OPTIONS
- WIRE- SAVING SYSTEMS
- MEASURE- MENT SENSORS
- STATIC CONTROL DEVICES
- LASER MARKERS

**MS-EX20-2**

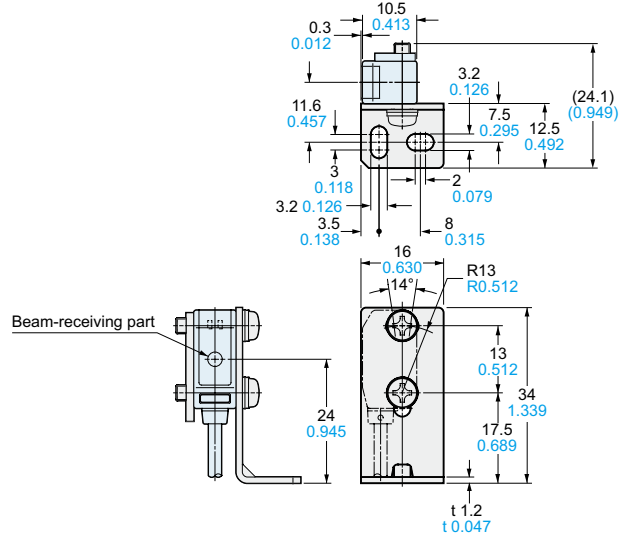
Sensor mounting bracket (Optional)



Material: Stainless steel (SUS304)  
Two M3 (length 14 mm 0.551 in) screws with washers [stainless steel (SUS304)] are attached.

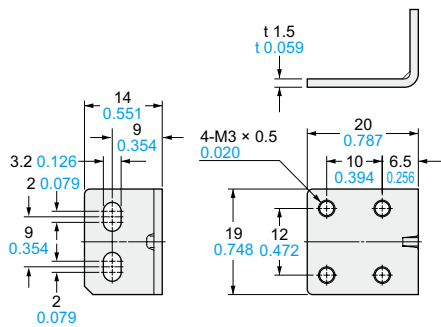
**Assembly dimensions**

Mounting drawing with the receiver of EX-23



**MS-EX20-3**

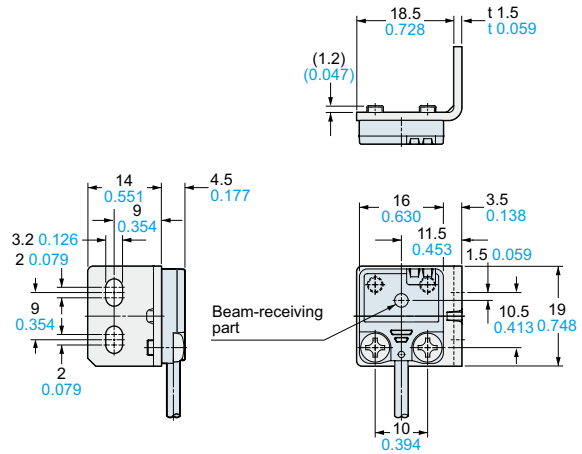
Sensor mounting bracket (Optional)



Material: Stainless steel (SUS304)  
Two M3 (length 5 mm 0.197 in) pan head screws [stainless steel (SUS304)] are attached.

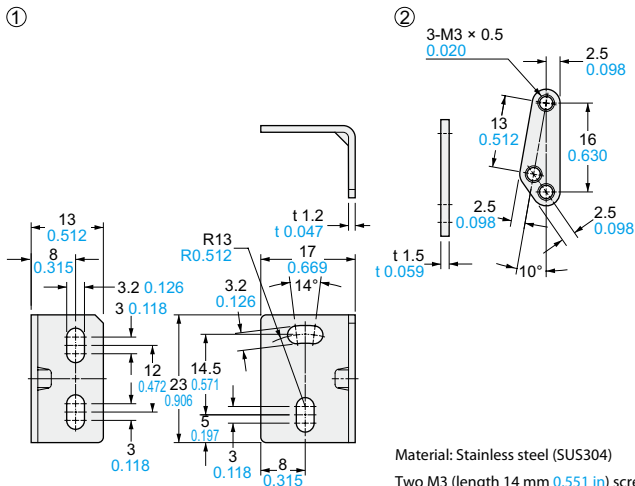
**Assembly dimensions**

Mounting drawing with the receiver of EX-21



**MS-EX20-4**

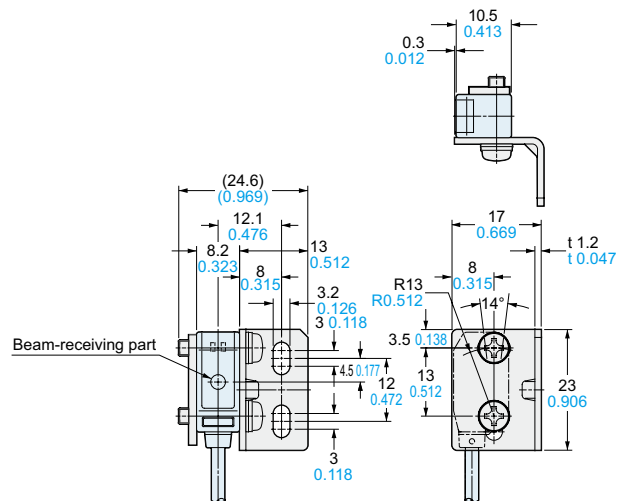
Sensor mounting bracket (Optional)



Material: Stainless steel (SUS304)  
Two M3 (length 14 mm 0.551 in) screws with washers [stainless steel (SUS304)] are attached.

**Assembly dimensions**

Mounting drawing with the receiver of EX-23

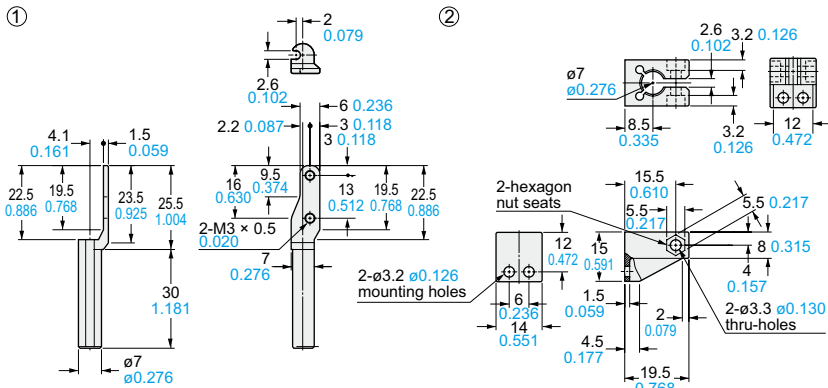


**DIMENSIONS (Unit: mm in)**

The CAD data in the dimensions can be downloaded from the SUNX website: <http://www.sunx.com>

**MS-EX20-5**

Universal sensor mounting bracket (Optional)

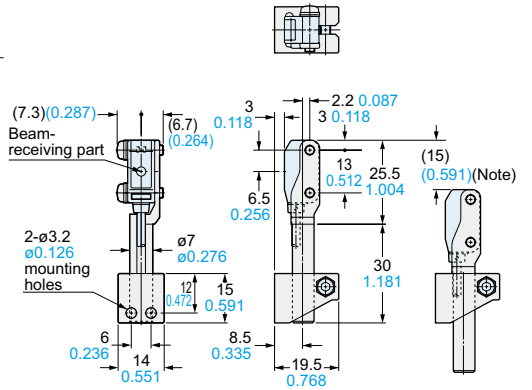


Material: Die-cast zinc alloy  
 Two M3 (length 12 mm 0.472 in) screws with washers [stainless steel (SUS304)], one M3 (length 10 mm 0.394 in) hexagon socket-head bolt [stainless steel (SUS304)], and one M3 hexagon nut [stainless steel (SUS304)] are attached.

Material: Nylon 6

**Assembly dimensions**

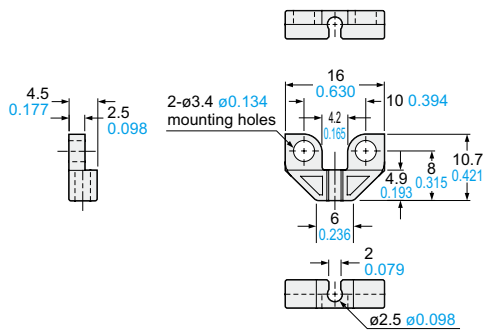
Mounting drawing with the receiver of EX-23



Note: This is the adjustable range of the movable part.

**MS-EX20-FS**

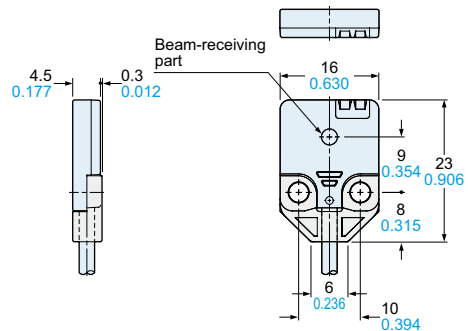
Mounting spacer (Optional)



Material: Polycarbonate

**Assembly dimensions**

Mounting drawing with the receiver of EX-21



FIBER SENSORS

LASER SENSORS

PHOTO-ELECTRIC SENSORS

MICRO PHOTO-ELECTRIC SENSORS

AREA SENSORS

SAFETY COMPONENTS

PRESSURE SENSORS

INDUCTIVE PROXIMITY SENSORS

PARTICULAR USE SENSORS

SENSOR OPTIONS

WIRE- SAVING SYSTEMS

MEASURE- MENT SENSORS

STATIC CONTROL DEVICES

LASER MARKERS

Selection Guide

Amplifier Built-in

**CX-400**

**EX-10**

**EX-20**

**EX-30**

**EX-40**

**EQ-30**

**EQ-500**

**MQ-W**

**RX-L5200**

**RX**

**CY**

**PX-2**

**RT-610**

Power Supply Built-in

**NX5**

**VF**

Amplifier-separated

**SU-7 / SH**

**SS-A5 / SH**

Other Products