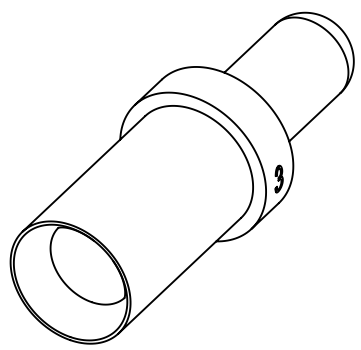

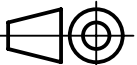


wire gauge: 3mm²
stripping length: 6.5mm



	 All Dimensions in mm Original Size DIN A4	Scale 10:1	Free size tol.		Ref. Sub. TB 11 05 000 6107 v. 28.04.10
	All rights reserved Department EL PD - DE	Created by HOLLERT	Inspected by RIEPE	Standardisation SCHMIDTM	Date 2013-07-05
HARTING Electric GmbH & Co. KG D-32339 Espelkamp		Title crimp contact male 20A 3mm²			Doc-Key / ECM-Nr. 100177930/UGD/006/A 500000063947
		Type TB	Number 11 05 000 6107		Rev. A Page 1/1