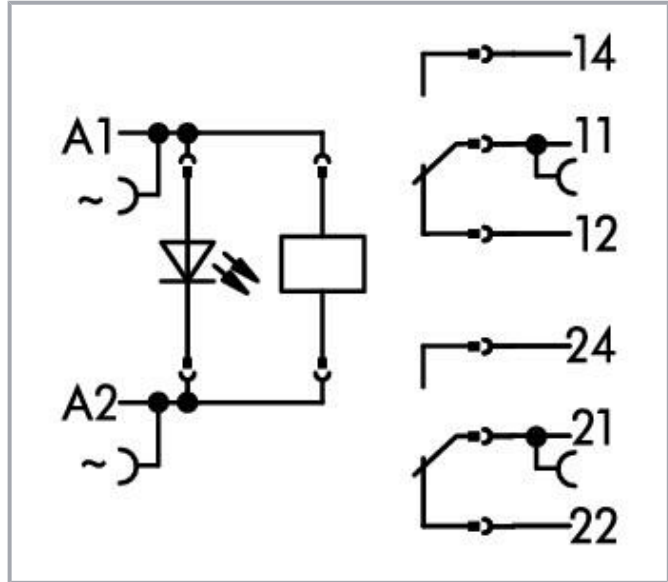
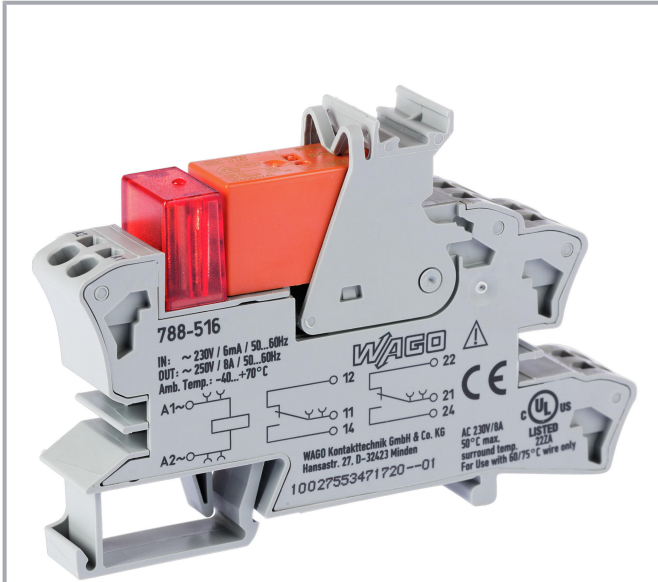


Data sheet | Item number: 788-516

Relay module; Nominal input voltage: 230 VAC; 2 changeover contacts;  
Limiting continuous current: 8 A; Red status indicator; Module width: 15 mm;  
2,50 mm<sup>2</sup>; gray

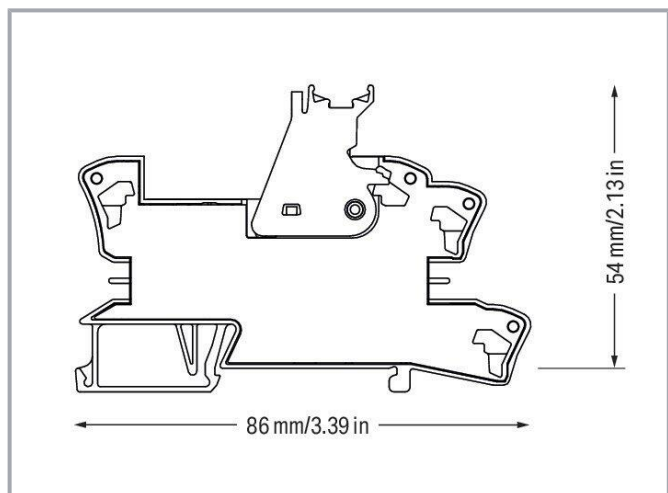
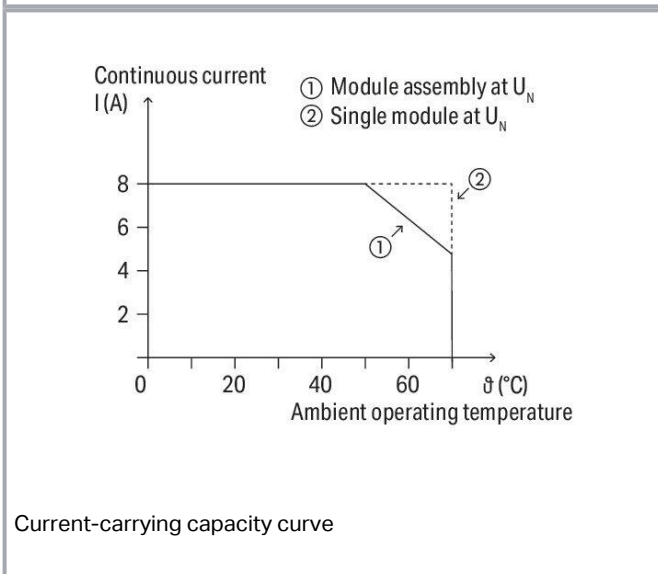


[www.wago.com/788-516](http://www.wago.com/788-516)



Similar to picture

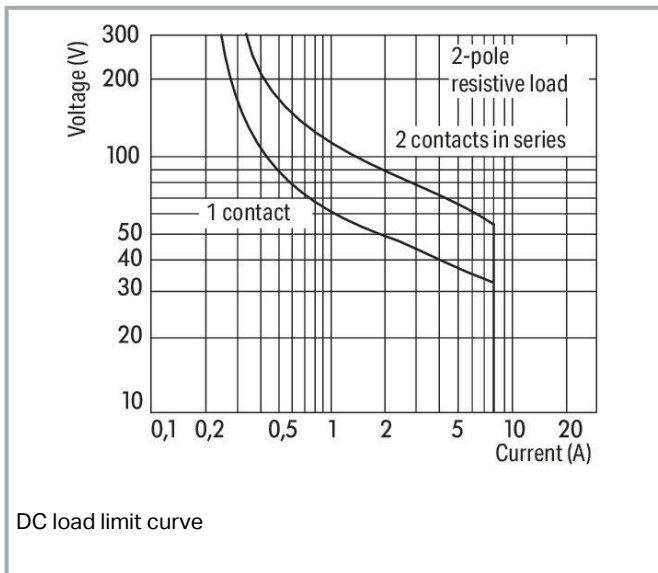
Color:



Subject to changes. Please also observe the further product documentation!

WAGO GmbH & Co. KG  
Hansastr. 27  
32423 Minden  
Phone: +49571 887-0 | Fax: +49571 887-169  
Email: [info.de@wago.com](mailto:info.de@wago.com) | Web: [www.wago.com](http://www.wago.com)

Do you have any questions about our products?  
We are always happy to take your call at +49 (571) 887-44222.



## Data

### Notes

Safety information 1

A separator plate (e.g., 209-191) must be used for voltages greater than 250 V between adjacent relay modules and for compliance with the reinforced insulation requirements.

Note

- Reinforced insulation between coil and contacts
- To protect the relay coils and contacts, inductive loads must be dampened with an effective protection circuit.

## Technical data

### Control Circuit

Nominal input voltage $U_N$	AC 230 V
Input voltage range	$\pm 10\%$
Nominal input current at $U_N$	4 mA

### Load circuit

Number of changeover/switchover contacts	2
Contact material (relay)	AgNi 90/10
Limiting continuous current	8 A

Subject to changes. Please also observe the further product documentation!



Inrush current (resistive) max.	(AC) 15 A / 4 s
Switching voltage (max.)	AC 250 V
Switching power (resistive) max.	AC 2000 VA; DC (see load limit curve)
Switching capacity	AC-15: 3 A / AC 250 V; DC-13: 2 A / DC 24 V
Recommended minimum load	12 V / 10 mA
Pull-in time (typ.)	10 ms
Drop-out time (typ.)	35 ms
Bounce time (typ.)	10 ms
Electrical life (NO; resistive load; 23 °C)	10 x 10 <sup>3</sup> switching operations
Mechanical life	30 x 10 <sup>6</sup> switching operations
Switching frequency with/without load (max.)	6 min <sup>-1</sup> / 1200 min <sup>-1</sup>

## Signaling

Status indicator	Red LED
------------------	---------

## Safety and protection

Rated voltage	250 V
Rated surge voltage	4 kV
Pollution degree	3
Dielectric strength (control/load circuit) (AC, 1 min)	5 kVrms
Dielectric strength (open contact) (AC, 1 min)	1 kVrms
Dielectric strength (load/load circuit) (AC, 1 min)	2.5 kVrms
Safety information 1	A separator plate (e.g., 209-191) must be used for voltages greater than 250 V between adjacent relay modules and for compliance with the reinforced insulation requirements.
Protection type	IP20

## Connection data

Connection technology	Push-in CAGE CLAMP®
Solid conductor	0.34 ... 2.5 mm <sup>2</sup> / 22 ... 14 AWG
Fine-stranded conductor	0.34 ... 2.5 mm <sup>2</sup> / 22 ... 14 AWG
Strip length	9 ... 10 mm / 0.35 ... 0.39 inches

## Physical data

Width	15 mm / 0.591 inches
Height	86 mm / 3.386 inches

Subject to changes. Please also observe the further product documentation!

WAGO GmbH & Co. KG  
 Hansastr. 27  
 32423 Minden  
 Phone: +49571 887-0 | Fax: +49571 887-169  
 Email: [info.de@wago.com](mailto:info.de@wago.com) | Web: [www.wago.com](http://www.wago.com)

Do you have any questions about our products?  
 We are always happy to take your call at +49 (571) 887-44222.



Depth from upper-edge of DIN-rail	54 mm / 2.126 inches
-----------------------------------	----------------------

### Mechanical data

Mounting type	DIN-35 rail
---------------	-------------

### Material Data

Color	gray
Fire load	0.846 MJ
Weight	45.7 g

### Environmental requirements

Ambient temperature (operation at $U_N$ )	-40 ... +70 °C
Ambient temperature UL (operation at $U_N$ )	-40 ... +50 °C
Surrounding air temperature (storage)	-40 ... +70 °C
Processing temperature	-25 ... +50 °C
Temperature range of connection cable	$\geq (T_{\text{ambient}} + 20 \text{ K})$

### Standards and specifications

Standards/specifications	EN 61010-2-201 EN 61810-1 EN 61373 UL 508 DNV
--------------------------	---

### Basic relay

WAGO Basic Relay	788-180
------------------	---------

### Commercial data


Product Group	6 (INTERFACE ELECTRONIC)
eCl@ss 10.0	27-37-16-01
eCl@ss 9.0	27-37-16-01
ETIM 8.0	EC001437
ETIM 7.0	EC001437
PU (SPU)	20 (1) pcs
Packaging type	box
Country of origin	CN

Subject to changes. Please also observe the further product documentation!


GTIN	4055143192378
Customs tariff number	85364900990

## Approvals / Certificates

### General approvals






Logo	Approval	Additional Approval Text	Certificate name
	EAC Brjansker Zertifizierungsstelle	TP TC 004/2011	EAC RU C-DE.AM02.B.00122/19

### Approvals for marine applications

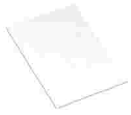
Logo	Approval	Additional Approval Text	Certificate name
	PRS Polski Rejestr Statków	-	TE/2186/880590/18

## Optional accessories

### Marking accessories

Marking strip			
	<b>Item no.: 2009-110</b> Marking strips; for Smart Printer; on reel; not stretchable; plain; snap-on type; white		<a href="http://www.wago.com/2009-110">www.wago.com/2009-110</a>
Double marker carrier			
	<b>Item no.: 209-128</b> Adaptor; gray		<a href="http://www.wago.com/209-128">www.wago.com/209-128</a>
Marking devices			
	<b>Item no.: 210-110</b> Fiber-tip pen		<a href="http://www.wago.com/210-110">www.wago.com/210-110</a>
Protective marker cover			
	<b>Item no.: 209-184</b> Protection cover; transparent		<a href="http://www.wago.com/209-184">www.wago.com/209-184</a>
Marker			
	<b>Item no.: 2009-115</b> WMB-Inline; for Smart Printer; 1500 pieces on roll; stretchable 5 - 5.2 mm; plain; snap-on type; white		<a href="http://www.wago.com/2009-115">www.wago.com/2009-115</a>

Subject to changes. Please also observe the further product documentation!



**Item no.: 209-183**  
Marker; white

[www.wago.com/209-183](http://www.wago.com/209-183)



**Item no.: 793-501**  
WMB marking card; as card; not stretchable; plain; snap-on type; white

[www.wago.com/793-501](http://www.wago.com/793-501)



**Item no.: 793-502**  
WMB marking card; as card; MARKED; 1 ... 10 (10x); not stretchable; Horizontal marking; snap-on type; white [www.wago.com/793-502](http://www.wago.com/793-502)



**Item no.: 793-503**  
WMB marking card; as card; MARKED; 11 ... 20 (10x); not stretchable; Horizontal marking; snap-on type; white [www.wago.com/793-503](http://www.wago.com/793-503)



**Item no.: 793-504**  
WMB marking card; as card; MARKED; 21 ... 30 (10x); not stretchable; Horizontal marking; snap-on type; white [www.wago.com/793-504](http://www.wago.com/793-504)



**Item no.: 793-505**  
WMB marking card; as card; MARKED; 31 ... 40 (10x); not stretchable; Horizontal marking; snap-on type; white [www.wago.com/793-505](http://www.wago.com/793-505)

Group marker carrier



**Item no.: 209-145**  
Group marker carrier; white

[www.wago.com/209-145](http://www.wago.com/209-145)



**Item no.: 249-105**  
Group marker carrier; gray

[www.wago.com/249-105](http://www.wago.com/249-105)

Ferrule

Ferrule



**Item no.: 216-241**  
Ferrule; Sleeve for 0.5 mm<sup>2</sup> / 20 AWG; insulated; electro-tin plated; electrolytic copper; gastight crimped; acc. to DIN 46228, Part 4/09.90; white [www.wago.com/216-241](http://www.wago.com/216-241)



**Item no.: 216-242**  
Ferrule; Sleeve for 0.75 mm<sup>2</sup> / 18 AWG; insulated; electro-tin plated; electrolytic copper; gastight crimped; acc. to DIN 46228, Part 4/09.90; gray [www.wago.com/216-242](http://www.wago.com/216-242)



**Item no.: 216-243**  
Ferrule; Sleeve for 1 mm<sup>2</sup> / AWG 18; insulated; electro-tin plated; electrolytic copper; gastight crimped; acc. to DIN 46228, Part 4/09.90; red [www.wago.com/216-243](http://www.wago.com/216-243)



**Item no.: 216-244**  
Ferrule; Sleeve for 1.5 mm<sup>2</sup> / AWG 16; insulated; electro-tin plated; electrolytic copper; gastight crimped; acc. to DIN 46228, Part 4/09.90; black [www.wago.com/216-244](http://www.wago.com/216-244)



**Item no.: 216-542**  
Twin ferrule; Sleeve for 2 x 1 mm<sup>2</sup> / AWG 2 x 18; red, insulated; 12 mm long; red

[www.wago.com/216-542](http://www.wago.com/216-542)

Indicators

Subject to changes. Please also observe the further product documentation!

## Status indication



**Item no.: 788-125**  
Accessories for relay modules; Operation status indicator: red

[www.wago.com/788-125](http://www.wago.com/788-125)

## Jumpers

## Jumper



**Item no.: 788-116**  
Jumper; for jumper slot; 6-way; insulated; light gray

[www.wago.com/788-116](http://www.wago.com/788-116)



**Item no.: 788-117**  
Jumper; for jumper slot; 8-way; insulated; light gray

[www.wago.com/788-117](http://www.wago.com/788-117)



**Item no.: 788-114**  
Jumper; for jumper slot; 3-way; insulated; light gray

[www.wago.com/788-114](http://www.wago.com/788-114)



**Item no.: 788-113**  
Jumper; for jumper slot; 2-way; insulated; light gray

[www.wago.com/788-113](http://www.wago.com/788-113)



**Item no.: 788-115**  
Jumper; for jumper slot; 4-way; insulated; light gray

[www.wago.com/788-115](http://www.wago.com/788-115)



**Item no.: 859-402**  
Jumper; for jumper slot; 2-way; insulated; light gray

[www.wago.com/859-402](http://www.wago.com/859-402)



**Item no.: 788-118**  
Jumper; for jumper slot; 2-way; from 1 to 3; insulated; light gray

[www.wago.com/788-118](http://www.wago.com/788-118)

## Filter Module

## Suppressor module

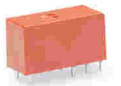


**Item no.: 788-148**  
Filter module; RC filter element; Nominal voltage: 230 VAC

[www.wago.com/788-148](http://www.wago.com/788-148)

## Basic Relay

## Basic relay



**Item no.: 788-180**  
Basic relay; Nominal input voltage: 230 VAC; 2 changeover contacts; Limiting continuous current: 8 A; Module width: 13 mm; Module height: 15 mm

[www.wago.com/788-180](http://www.wago.com/788-180)

## Tool

## Operating tool



**Item no.: 210-720**  
Operating tool; Blade: 3.5 x 0.5 mm; with a partially insulated shaft; multicoloured

[www.wago.com/210-720](http://www.wago.com/210-720)

Subject to changes. Please also observe the further product documentation!



## Downloads Documentation

### Bid Text

788-516 X81 - Datei	Feb 19, 2019	xml 4.7 kB	Download
------------------------	--------------	---------------	----------

788-516 docx - Datei	Jan 25, 2019	docx 16.8 kB	Download
-------------------------	--------------	-----------------	----------

### Instruction Leaflet

Sockets with Elementary Relay/ SSR	V 1.0.1 Oct 9, 2020	pdf 2.3 MB	Download
------------------------------------	------------------------	---------------	----------

### Additional Information

Disposal and Recycling Electrical and electronic equipment, Batteries, Packaging	V 1.1.0 Aug 18, 2022	pdf 2.2 MB	Download
---	-------------------------	---------------	----------

## CAD/CAE-Data

### CAD data

2D/3D Models 788-516	URL	Download
----------------------	-----	----------

### CAE data

EPLAN Data Portal 788-516	URL	Download
---------------------------	-----	----------

WSCAD Universe 788-516	URL	Download
------------------------	-----	----------

ZUKEN Portal 788-516	URL	Download
----------------------	-----	----------

## Environmental Product Compliance

### Compliance Search

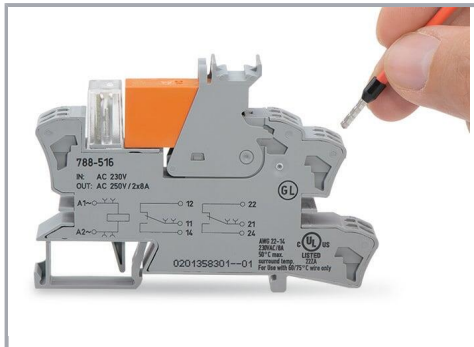
Environmental Product Compliance 788-516 Relay module; Nominal input voltage: 230 VAC; 2 changeover contacts; Limiting continuous current: 8 A; Red status indicator; Module width: 15 mm; 2,50 mm <sup>2</sup> ; gray	URL	Download
---	-----	----------

Subject to changes. Please also observe the further product documentation!



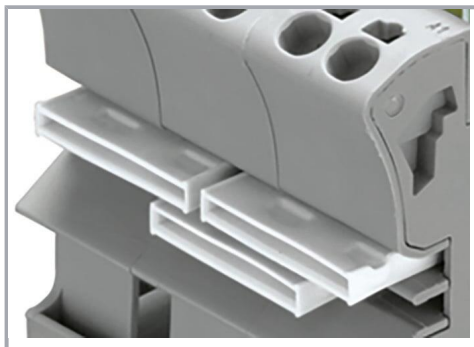
## Installation Notes

### Conductor termination



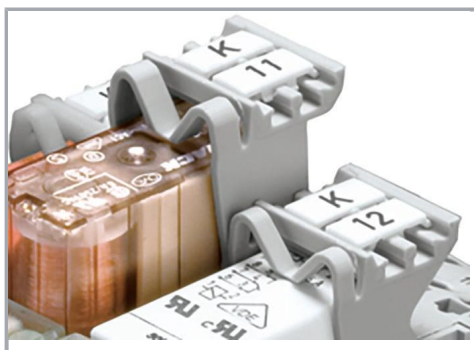
### Conductor termination

### Commoning



### Easy commoning using adjacent jumpers

### Marking



### Marking using WMB Multi markers and group marker carriers.

Subject to changes. Please also observe the further product documentation!