



## Features:

- High luminous LEDs
- 5mm Round standard directivity
- Superior weather-resistance
- UV Resistant epoxy
- Use 0.8 to 1.6V DC Drive (such as AA or AAA size battery)
- Cost effective (saves space and battery costs)
- Water clear type

## Applications

- Flashlight
- Other lighting

## Absolute maximum rating (Ta=25°C)

Item	Symbol	Value	Unit
DC Forward voltage	$V_F$	1.5	V
DC Forward current (input)	$I_F$	114	mA
Power dissipation	$P_D$	171	mW
Operating temperature	$T_{opr}$	-30 to +85	°C
Storage temperature	$T_{stg}$	-30 to +85	°C
Lead soldering temperature	$T_{sol}$	260°C/5 sec	-

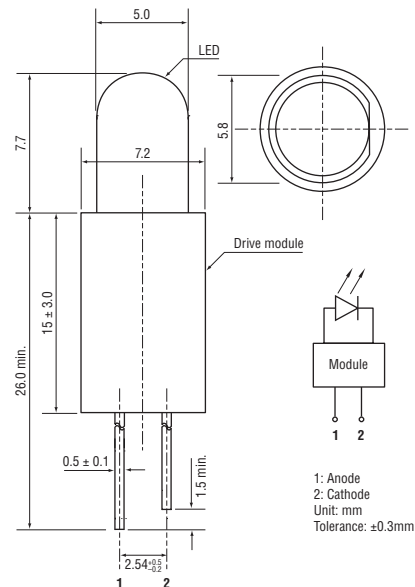
## Electrical - Optical characteristics (Ta=25°C)

Order code	MPN	Colour	M	$I_F$ (mA)			$I_v$ (mcd)*			$\lambda D$ (nm)†			$2\theta_{1/2}$ (deg)
				Input	In LED		Min.	Typ.	Max.	Min.	Typ.	Max.	Typ.
					Min.	Max.							
				$V_F = 1.2V$			$V_F = 1.2V$						
55-2804	OSM5DK5111A-1V	Warm White	M	64 ± 10	16	22	18000	20000	-	X + 0.45, Y = 0.41			15
55-2806	OSB5SA5111A-1V	Blue	B	64 ± 10	16	22	7000	8400	-	465	470	475	15
55-2808	OSG5DA5111A-1V	Pure Green	G	64 ± 10	16	22	22000	25000	-	520	525	530	15
55-2810	OSY5PA5111A-1V	Yellow	Y	76 ± 10	15	20	20000	22000	-	585	590	595	15
55-2812	OSR5PA5111A-1V	Red	R	76 ± 10	15	20	20000	22000	-	620	625	630	15

\* Tolerance of chromaticity coordinates is ±10%

† Tolerance of luminous intensity is ±15%

## Outline dimensions:



## Directivity:

