



### Features:

- 5W Small Compact Size
- Single Output - Regulated
- Output Range: 3.3V - 48VDC
- Low Standby Power <0.15W
- Fully Isolated Pri - Sec >4200Vrms
- Insulation: Class II
- Materials: UL94-V0
- Safety: EN61558, EN60950, CE, UL, TUV

Part Number	Power Rating Watts	Output Voltage (VDC)	Output Current (mA)	Ambient Temp. (°C)	Efficiency Typical	Input Range
VTX-214-005-103	4.2	3.3	1272	50	>70%	90 - 265VAC (100 - 370VDC)
VTX-214-005-105	5	5	1000			
VTX-214-005-106	5	6	833			
VTX-214-005-107	5	7.5	666			
VTX-214-005-108	5	8	625			
VTX-214-005-109	5	9	555			
VTX-214-005-110	5	10	500			
VTX-214-005-112	5	12	416			
VTX-214-005-115	5	15	333			
VTX-214-005-118	5	18	277			
VTX-214-005-124	5	24	208			
VTX-214-005-148	5	48	104			

**Note: Other output voltages are available upon request.**

Optional Universal PCB mounting kit.

Part Number:

VTX-214-PCB1



Please contact Vigortronix for any enquiries. Products are subject to change without notice.

Vigortronix, 16 De Havilland Way, Witney, Oxfordshire, OX29 0YG, UK

Tel: +44 (0)1993 777570 Fax: +44 (0)1993 777580 Web: www.vigortronix.com E-mail: sales@vigortronix.com

Vigortronix is a trading name of Vigortronix (UK) Limited

Model: 5 Watt		Specification
<b>INPUT</b> Pin 1: L Pin 2: N	Rated Input Voltage	110 - 240V 50/60Hz
	Voltage Range	90 - 264VAC / 47 - 63Hz (120VDC - 370VDC)
	Current	100mA Max (100VAC) / 70mA Max (240VAC)
	Inrush Current	15A Max (100VAC) / 25A Max (240VAC)
	No Load power	0.15W Max
	Leakage Current	0.3mA Max
<b>OUTPUT</b> Pin 3: DC+ Pin 4: DC-	Voltage Accuracy	<5%
	Ripple	<50mV Max (Vp-p)
	Noise	<1% Vout Max (Vp-p)
	Efficiency	>70%
	Minimum Load	0
<b>Protection</b>	Over Power	Hiccup mode
	Over Voltage	Hiccup mode
	Short Circuit Protection	Hiccup mode
<b>Dielectric Isolation</b>	Input to Output	4200Vrms, 5mA 1 Min
<b>Environment</b>	Operating Temperature	-40°C - +70°C (Full Load)
	Storage Temperature	-40°C - +105°C
	Humidity	20 - 95% RH
	<b>MTBF</b>	>300,000Hrs @ 25°C (MIL-HDBK-217F)
	Weight	30g
<b>Safety</b>	Agency Approval	EN60950-1, EN61558-1, EN61558-2-6, EN61558-2-17, TUV
<b>EMC</b>	EMI	Compliance with EN55022 Class B
	EMS	Compliance with EN55024, EN55014-1, EN55014-2, EN61000-3-2 Class A, EN61000-3-3

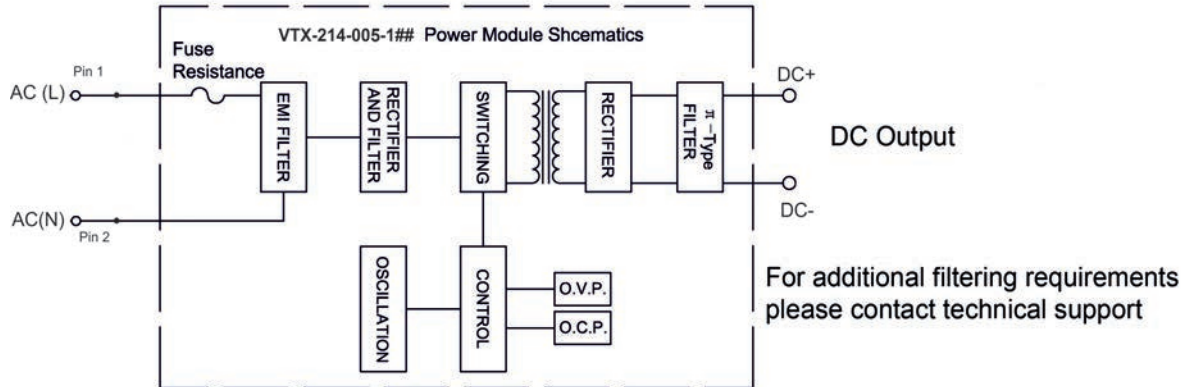
Please contact Vigortronix for any enquiries. Products are subject to change without notice.

Vigortronix, 16 De Havilland Way, Witney, Oxfordshire, OX29 0YG, UK

Tel. +44 (0)1993 777570 Fax +44 (0)1993 777580 Web. www.vigortronix.com E-mail: sales@vigortronix.com

Vigortronix is a trading name of Vigortronix (UK) Limited

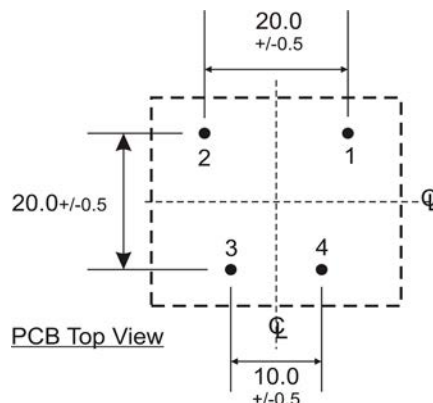
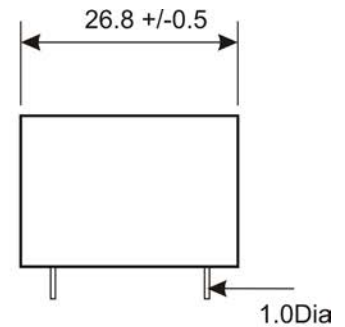
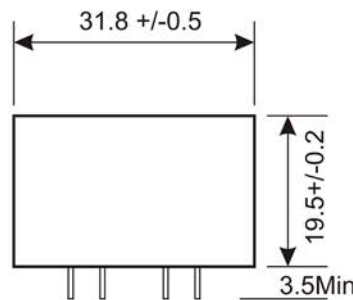
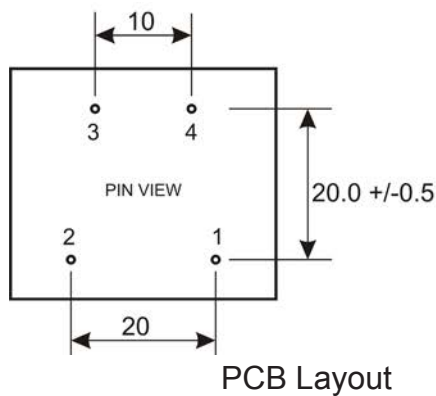
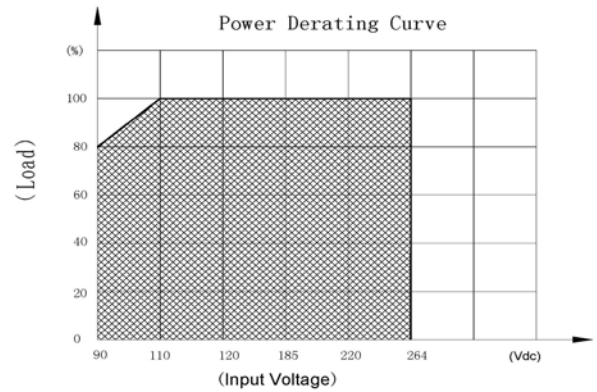
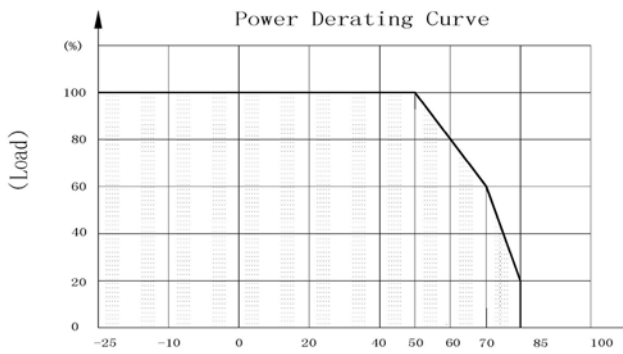
## Recommended Application Schematic for EMC



### Notes

If Surge protection is required it is recommended to fit a Varistor, similar to 14D431K

## Derating Graph



Recommended PCB  
Hole size: 1.5mm Dia.

Pins 1&2: AC/DC Input  
Pin 3: Output DC +V  
Pin 4: Output DC 0V

Please contact Vigortronix for any enquiries. Products can be altered to suit a customer's requirements. The information contained in this document is subject to change without notice.

Vigortronix, 16 De Havilland Way, Witney, Oxfordshire, OX29 0YG, UK

Tel. +44 (0)1993 777570 Fax +44 (0)1993 777580 Web. www.vigortronix.com E-mail: sales@vigortronix.com

Vigortronix is a trading name of Vigortronix (UK) Limited