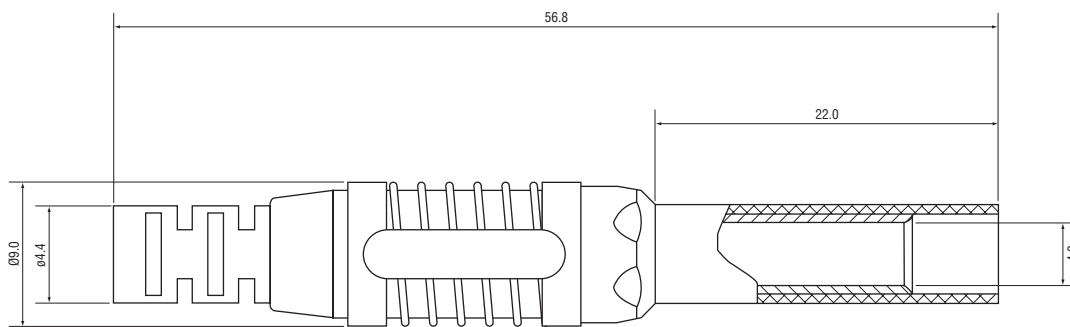


4mm Shrouded cable test socket

Order code: **(Black)** 17-3005

Order code: **(Red)** 17-3006



In-line 4mm safety socket accepting spring loaded 4mm plug, for self-assembly of test lead.

Material:

- Plug body: brass
- Surface treatment: nickel plated
- Insulation: PA

Ratings:

- Rated voltage & current: 600V/max. 19A
- Contact resistance $\leq 0.005\Omega$