

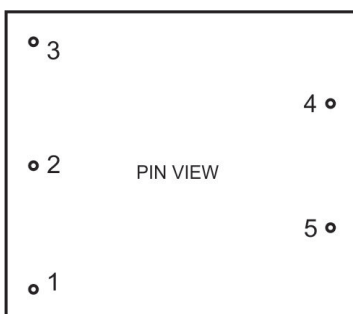


Features:

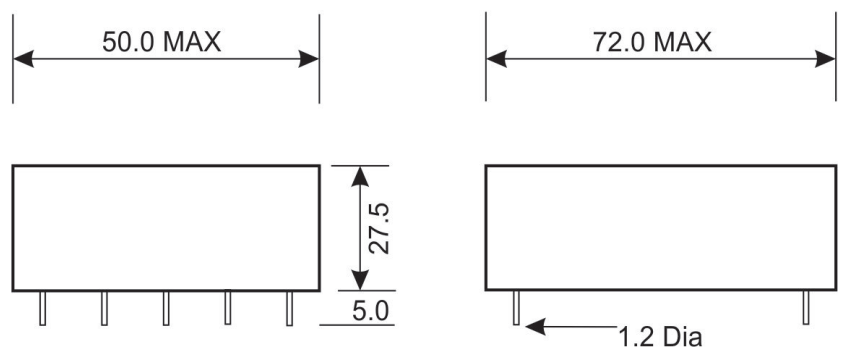
- 30W Small Compact Size
- Single Output - Regulated
- Output Range: 3.3V - 48VDC
- Input: 90 - 265VAC , 47 - 63Hz (100 - 370VDC)
- Low Standby Power <0.3W
- Low Ripple & Noise
- Encapsulated Design
- Fully Isolated Pri - Sec >4200Vrms
- Materials: UL94-V0
- Safety: EN61558, EN60950, CE

| Part Number | Power Rating Watts | Output Voltage (VDC) | Output Current (mA) | Ambient Temp. (°C) | Efficiency Typical | Input Range |
|-----------------|--------------------|----------------------|---------------------|--------------------|--------------------|-------------------------------|
| VTX-214-030-103 | 30 | 3.3 | 9000 | 70 | 80% | 90 - 265VAC (100 - 370VDC) |
| VTX-214-030-105 | 30 | 5 | 6000 | | | |
| VTX-214-030-106 | 30 | 6 | 5000 | | | |
| VTX-214-030-107 | 30 | 7.5 | 4000 | | | |
| VTX-214-030-109 | 30 | 9 | 3333 | | | |
| VTX-214-030-112 | 30 | 12 | 2500 | | | |
| VTX-214-030-115 | 30 | 15 | 2000 | | | |
| VTX-214-030-118 | 30 | 18 | 1666 | | | |
| VTX-214-030-124 | 30 | 24 | 1250 | | | |
| VTX-214-030-148 | 30 | 48 | 625 | | | |

Note: Other output voltages are available upon request.



Pin 1: Input FG
 Pin 2: Input AC N
 Pin 3: Input AC L
 Pin 4: Output DC +V
 Pin 5: Output GND



Unit weight: 140g

Please contact Vigortronix for any enquiries. Products can be altered to suit custom requirements.
 The information contained in this document is subject to change without notice.

| Model: 30 Watt | | Specification |
|---|--------------------------|---|
| INPUT Pin 1: FG Pin 2: N Pin 3: L | Voltage Range | 90 - 265VAC / 47 - 63Hz (120VDC - 370VDC) |
| | Current | 100mA Max (100VAC) / 70mA Max (240VAC) |
| | Inrush Current | 15A Max (100VAC) / 25A Max (240VAC) |
| | No Load power | 0.5W Max |
| | Leakage Current | 0.78mA Max |
| OUTPUT Pin 4: DC+ Pin 5: DC- | Voltage Accuracy | 0.5% |
| | Ripple | <150mV Max (Vp-p) |
| | Noise | <180mV Max (Vp-p) |
| | Efficiency | 80% |
| | Hold up Time | 16ms |
| Protection | Over Power | Hiccup mode |
| | Over Voltage | Hiccup mode |
| | Short Circuit Protection | Hiccup mode |
| Dielectric Isolation | Input to Output | 3000Vrms, 5mA 1 Min |
| Environment | Operating Temperature | -25°C - +70°C (Full Load) |
| | Storage Temperature | -40°C - +125°C |
| | Humidity | 10 - 95% RH |
| | MTBF | >200,000Hrs @ 25°C (MIL-HDBK-217F) |
| | Weight | 140g |
| Safety | Agency Approval | EN60950-1, EN61558-1, EN61558-2-6, EN61558-2-17 |
| EMC | EMI | Compliance with EN55022 Class B |
| | EMS | Compliance with EN55024, EN55014-1, EN55014-2, EN61000-3-2 Class A, EN61000-3-3 |

Please contact Vigortronix for any enquiries. Products can be altered to suit custom requirements.
 The information contained in this document is subject to change without notice.

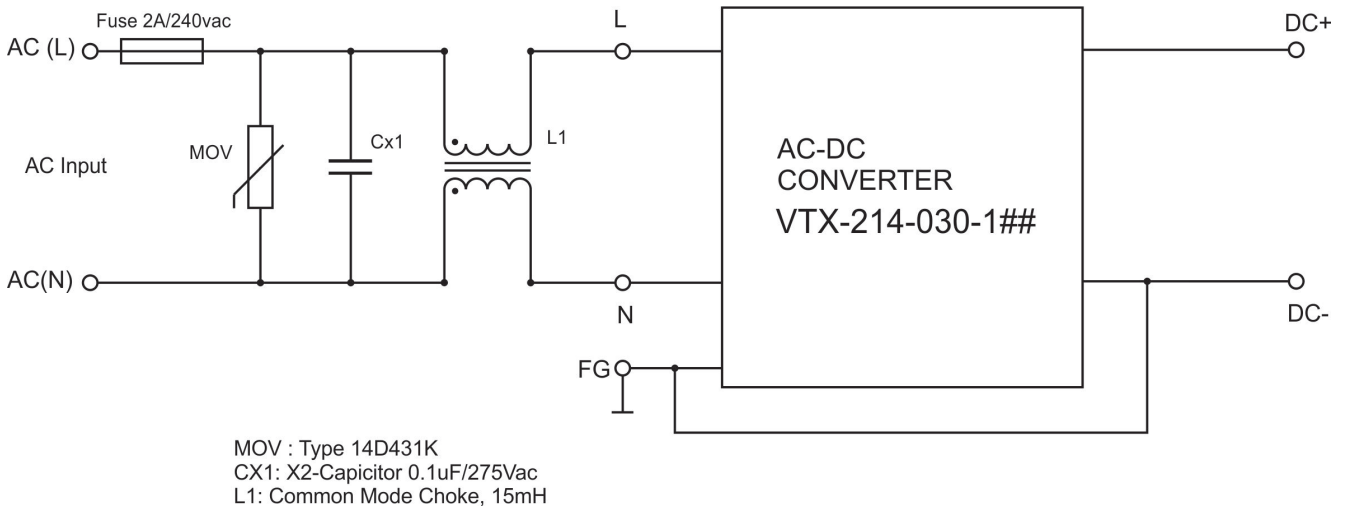
Vigortronix, 16 De Havilland Way, Witney, Oxfordshire, OX29 0YG, UK

Tel. +44 (0)1993 777570 Fax. +44 (0)1993 777580 Web. www.vigortronix.com E-mail: sales@vigortronix.com

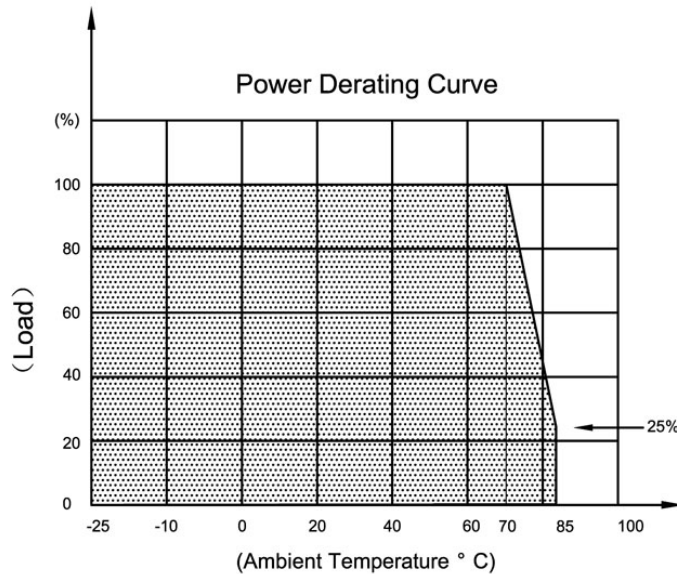
Vigortronix is a trading name of Vigortronix (UK) Limited

Vigortronix.com

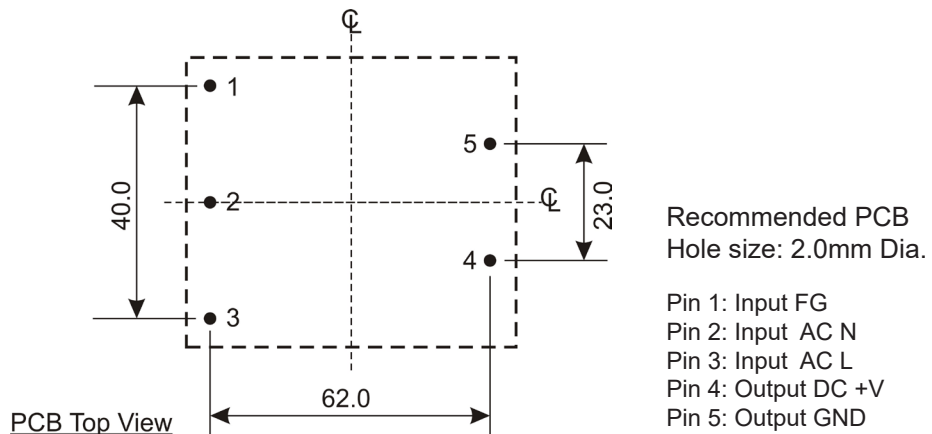
Recommended Application Schematic for EMC



Derating Graph



PCB Layout



Please contact Vigortronix for any enquiries. Products can be altered to suit custom requirements. The information contained in this document is subject to change without notice.

Vigortronix, 16 De Havilland Way, Witney, Oxfordshire, OX29 0YG, UK

Tel. +44 (0)1993 777570 Fax. +44 (0)1993 777580 Web. www.vigortronix.com E-mail: sales@vigortronix.com

Vigortronix is a trading name of Vigortronix (UK) Limited