

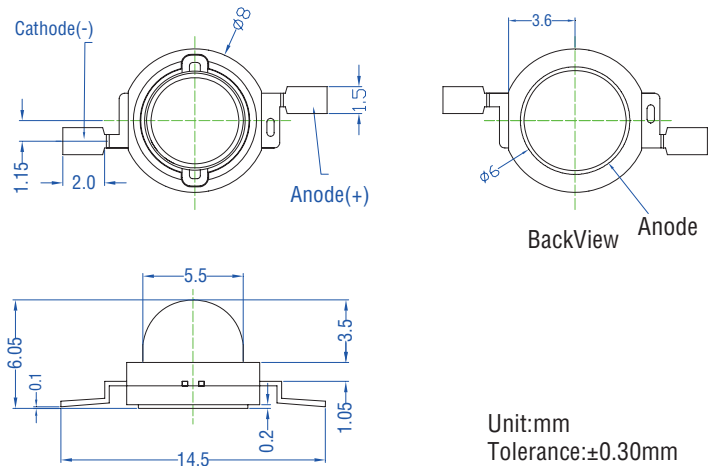
Features:

- Highest luminous flux
- Super energy efficiency
- Long lifetime operation
- Superior ESD protection
- Superior UV resistance

Applications

- Read lights (car, bus, aircraft)
- Portable (torch, bicycle)
- Bollards/security/garden
- Traffic signalling/beacons
- Indoor/outdoor commercial lights

Outline dimensions:

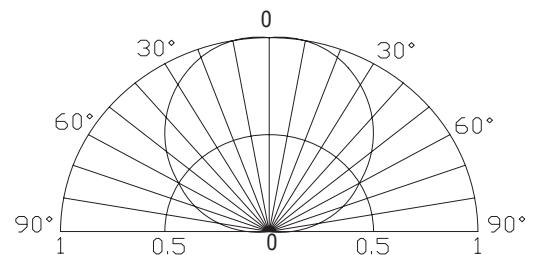


Absolute maximum rating (Ta=25°C)

Item	Symbol	Value	Unit
DC forward current	I_F	800	mA
Pulse forward current*	I_{FP}	1000	mA
Reverse voltage	V_R	5	V
Power dissipation	P_D	2400	mW
Operating temperature	T_{opr}	-30 to +85	°C
Storage temperature	T_{stg}	-40 to +100	°C
Lead soldering temperature	T_{sol}	260°C/5sec	-

*Pulse width max. 10ms. Duty ratio max. 1/10

Directivity:



Electrical - Optical characteristics (Ta=25°C)

Item	Symbol	Condition	Min.	Typ.	Max.	Unit
DC forward voltage	V_F	$I_F = 700\text{mA}$	2.0	2.25	3.0	V
DC reverse current	I_R	$V_R = 5\text{V}$	-	-	10	µA
Dominant wavelength	λ_D	$I_F = 700\text{mA}$	620	625	630	nm
Luminous flux	Φ_V	$I_F = 700\text{mA}$	70	80	-	lm
50% Power angle	$2\theta_{1/2}$	$I_F = 700\text{mA}$	-	120	-	deg

Note: Don't drive at rated current more than 5s without heat sink for Xeon 3 emitter series.

Forward operating current (DC):

