

Features:

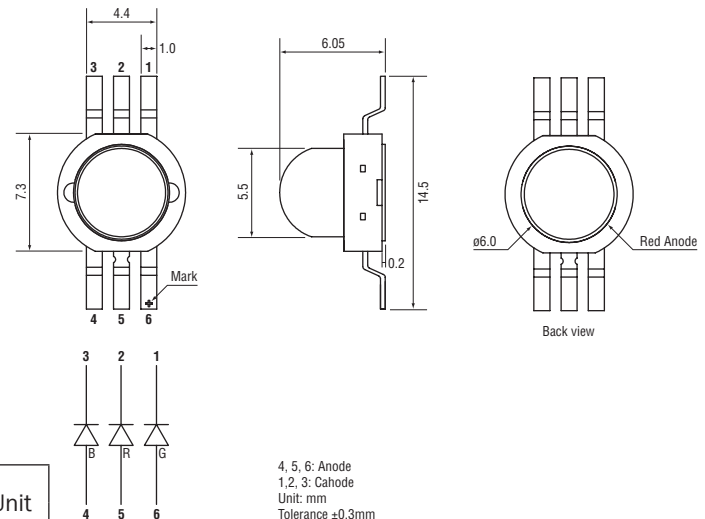
- Highest luminous flux
- Super energy efficiency
- Long lifetime operation
- Superior ESD protection
- Superior UV resistance
- Water clear type



Applications

- Mobile phone flash
- Automotive interior/exterior lighting/signal lighting
- Architectural lighting
- LCD TV/monitor backlight
- Projector light source/traffic signals/task lighting
- Decorative/pathway lighting/household applications

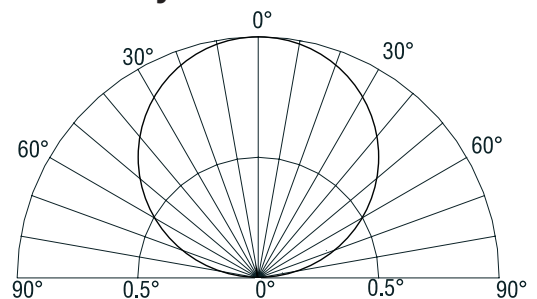
Outline dimensions:



Absolute maximum rating (Ta=25°C)

Item	Symbol	Value		Unit
		Red	Green/Blue	
DC forward current	I_F	400	400	mA
Pulse forward current*	I_{FP}	500	500	mA
Reverse voltage	V_R	5	5	V
Power dissipation	P_D	1200	1600	mW
Operating temperature	Torp	-30 to +85		°C
Storage temperature	Tstg	-40 to +100		°C
Lead soldering temperature	Tsol	260°C/5sec		-

Directivity:



Electrical - Optical characteristics (Ta=25°C)

Item	Symbol	Condition	Min.	Typ.	Max.	Unit
DC Forward voltage	V_F (R)	$I_F=350\text{mA}$	2.0	2.5	3.0	V
	V_F (B/G)	$I_F=350\text{mA}$	3.0	3.3	4.0	V
DC Reverse current	I_R	$V_R=5\text{V}$	-	-	10	μA
Domi. Wavelength	λ_D (Red)	$I_F=350\text{mA}$	602	625	630	nm
	λ_D (Green)	$I_F=350\text{mA}$	520	525	535	nm
	λ_D (Blue)	$I_F=350\text{mA}$	455	460	465	nm
Luminous intensity	I_V (Red)	$I_F=350\text{mA}$	40	50	-	lm
	I_V (Green)	$I_F=350\text{mA}$	50	70	-	lm
	I_V (Blue)	$I_F=350\text{mA}$	10	15	-	lm
50% Power angle	$2\theta_{1/2}$	$I_F=350\text{mA}$	-	120	-	deg

Note: Don't drive at rated current more than 5s without heat sink for Xeon 1 Power emitter series.