

5mm 2V Red LED Oval Diffused

Order code: **55-2190**

MPN: OSR5MA5HA4B-MN

Features:

- High power LEDs
- 5.1 x 4.3mm Standard directivity
- Superior weather-resistance
- UV Resistant epoxy
- Without stopper & colour diffused type

Applications

- Traffic signal, portable light source
- Signage and channel letter
- Decorating and entertainment lighting
- Architectural lighting

Absolute maximum rating (Ta=25°C)

Item	Symbol	Value	Unit
DC forward current	I_F	50	mA
Pulse forward current*	I_{FP}	120	mA
Reverse voltage	V_R	5	V
Power dissipation	P_D	130	mW
Operating temperature	T_{opr}	-30 to +85	°C
Storage temperature	T_{stg}	-40 to +100	°C
Lead soldering temperature	T_{sol}	260°C/5 sec	-

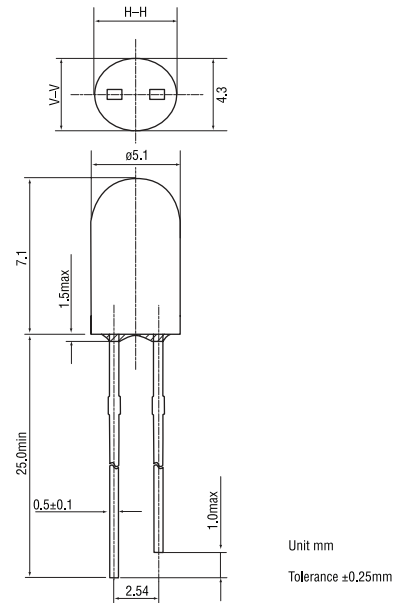
*Pulse width max. 10ms. Duty ratio max. 1/10

Electrical - Optical characteristics (Ta=25°C)

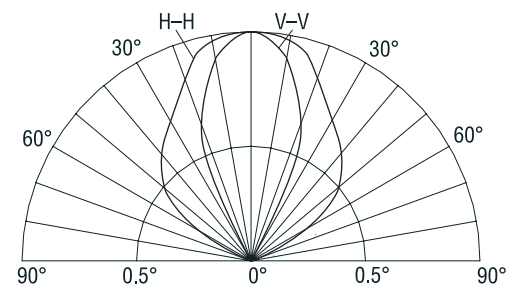
Item	Symbol	Condition	Min.	Typ.	Max.	Unit
DC Forward voltage	V_F	$I_F = 20\text{mA}$	1.8	2.0	2.4	V
DC Reverse current	I_R	$V_R = 5\text{V}$	-	-	10	μA
Domi. Wavelength	λ_D	$I_F = 20\text{mA}$	619	624	629	nm
Luminous intensity	I_V	$I_F = 20\text{mA}$	1560	2180	3000	mcd
50% Power angle	$2\theta_{1/2}$	$I_F = 20\text{mA}$	-	100/40	-	deg



Outline dimensions:



Directivity:



Maximum forward current:

