

# 5mm Red 5V 60° Diffused LED

Order code: **55-2670**

MPN: OSR6LU5B64A-5V

## Features:

- High luminous LEDs
- 5mm Round standard directivity
- Superior weather-resistance
- UV Resistant epoxy
- Integral current limiting resistor
- TTL Compatible (requires no external current limiter with 5 volt supply)
- Cost effective (saves space and resistor cost)
- Colour diffused type

## Applications

- Status indicators
- Other lighting

## Absolute maximum rating (Ta=25°C)

Item	Symbol	Value	Unit
DC Forward voltage	$V_F$	7.5	V
Reverse voltage	$V_R$	5	V
Power dissipation	$P_D$	150	mW
Operating temperature	$T_{opr}$	-30 to +85	°C
Storage temperature	$T_{stg}$	-40 to +100	°C
Lead soldering temperature	$T_{sol}$	260°C/5 sec	-

## Electrical - Optical characteristics (Ta=25°C)

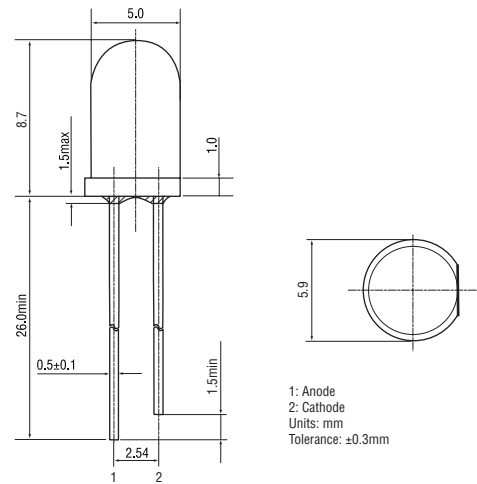
Item	Symbol	Condition	Min.	Typ.	Max.	Unit
DC Forward current	$I_F$	$V_F = 5V$	-	12	20	mA
DC Reverse current	$I_R$	$V_R = 5V$	-	-	10	μA
Domi. wavelength*	$\lambda_D$	$V_F = 5V$	630	640	650	nm
Luminous intensity†	$I_V$	$V_F = 5V$	100	150	-	mcd
50% Power angle	$2\theta_{1/2}$	$V_F = 5V$	-	60	-	deg

\* Tolerance of dominant wavelength is  $\pm 1\text{nm}$

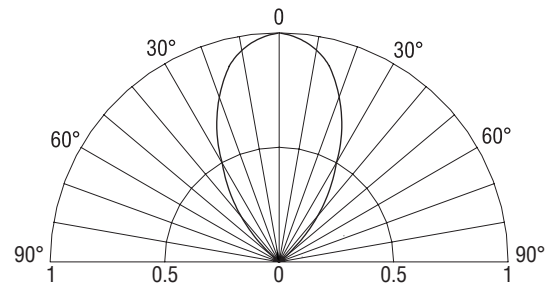
† Tolerance of luminous intensity is  $\pm 15\%$



## Outline dimensions:



## Directivity:



## AlGaInP and Si Resistor LED

Typical electrical/optical characteristic curves

