

Features:

- High luminosity PLCC2 SMD LEDs
- 3.5 x 2.8 x 1.9mm standard directivity
- Long lifetime operation
- Superior weather-resistance
- UV Resistant epoxy
- Yellow diffused type



Applications

- Backlighting (switches, keys, displays, illuminated advertising etc.)
- Substitution of micro incandescent lamps
- Reading lamps/emergency lighting
- Market lights (e.g. steps, exit ways, etc.)
- Other lighting

Absolute maximum rating (Ta=25°C)

Item	Symbol	Value	Unit
DC forward current	I_F	30	mA
Pulse forward current*	I_{FP}	100	mA
Reverse voltage	V_R	5	V
Power dissipation	P_D	108	mW
Operating temperature	T_{opr}	-30 to +85	°C
Storage temperature	T_{stg}	-40 to +100	°C
Lead soldering temperature	T_{sol}	260°C/5sec	-

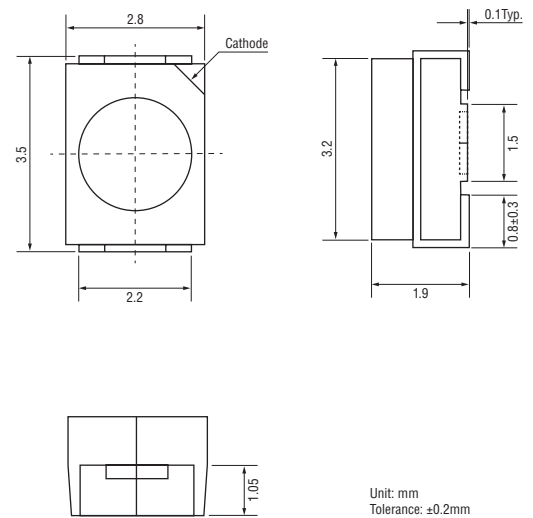
*Pulse width max. 10ms. Duty ratio max. 1/10

Electrical - Optical characteristics (Ta=25°C)

Item	Symbol	Condition	Min.	Typ.	Max.	Unit
DC forward voltage	V_F	$I_F = 20\text{mA}$	2.9	3.1	3.6	V
DC reverse current	I_R	$V_R = 5\text{V}$	-	-	10	μA
Colour rendering index	R_a	$I_F = 20\text{mA}$	95	-	-	
Luminous flux*	Φ_V	$I_F = 20\text{mA}$	4.5	5.5	-	lm
Colour temperature	CCT	$I_F = 20\text{mA}$	-	3000	-	K
Chromaticity coordinates†	x	$I_F = 20\text{mA}$	-	0.43	-	
	y	$I_F = 20\text{mA}$	-	0.38	-	
50% Power angle	$2\theta_{1/2}$	$I_F = 20\text{mA}$	-	120	-	deg

* Luminous intensity measurement allowance is $\pm 15\%$
† Chromaticity coordinates measurement allowance is $\pm 10\%$

Outline dimensions:



Directivity:

