

Features:

- simple motor control with only a few elements
- motor contactor and DC-brake in a single device
- suitable for all asynchronous motors
- controlled by microcontroller
- easy mounting, also for retrofitting into existing plants
- motor contactor with contact gap $\geq 3\text{mm}$, utilization category AC-3
- operator's controls physically separated from load (24V extra-low voltage)
- connection of several "STOP" buttons possible
- for snap-mounting onto 35 mm top-hat rail
- degree of protection IP 20
- meets trade assoc. requirements for category 2 acc. to EN 954-1 according to the test principles of woodworking machines GS-HO-01
- intermateable with BRMS



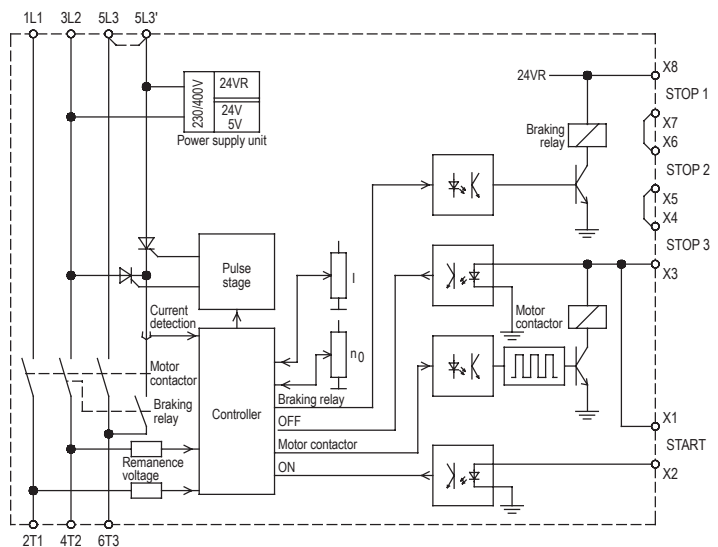
Combined Motor Start and Braking Devices
VBMS ...
CE

Function:

- direct online start via motor contactor
- DC braking
- control via buttons or via switch
- braking current infinitely adjustable
- standstill threshold adjustable
- braking current cutoff after motor standstill (overload protection)
- monitoring of exceeded braking time (10s)
- start interlock in case of safety relevant errors

Typical Applications:

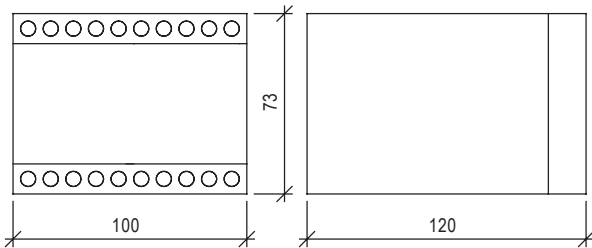
- sawing machines
- centrifuges
- vibrators



| | | |
|---|---|---------------------------|
| Type designation VBMS | 400-2,2/20 | 230-1,5/20 |
| Rated operational voltage 50/60Hz according to DIN EN 50160 (IEC 38) | 3x 380/415V $\pm 10\%$ | 3x 200/240V $\pm 10\%$ |
| AC-3 Rated operational power | 2,2kW | 1,5kW |
| Conventional enclosed thermal current $I_{th} = I_e$ (motor contactor) | 16A | |
| Braking current | 2...20A | |
| max braking time | 10s | |
| max. braking frequency at braking current 10A braking current 20A | at 5s braking time: 1 in 25s, at 10s braking time: 1 in 50s at 5s braking time: 1 in 60s, at 10s braking time: 1 in 120s | |
| Delay time during switch-off and braking | 500ms | |
| Braking voltage | 0...220V DC | 0...110V DC |
| max. cross-sectional area | 2,5mm per terminal | |
| Weight / kg | 0,6 | |
| Ambient / Storage temperature | 0°C ... 45°C / -25°C ... 75°C | |
| Order number | 2C000.40020 | 2C000.23020 |

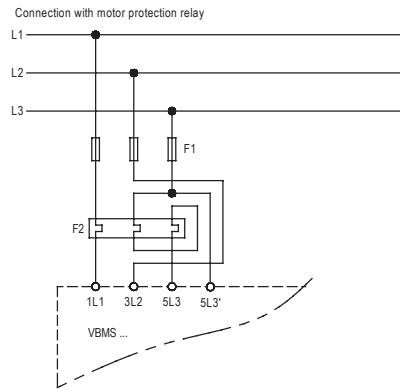
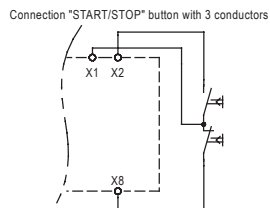
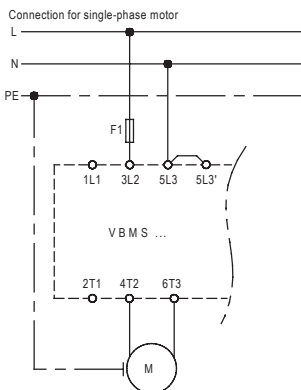
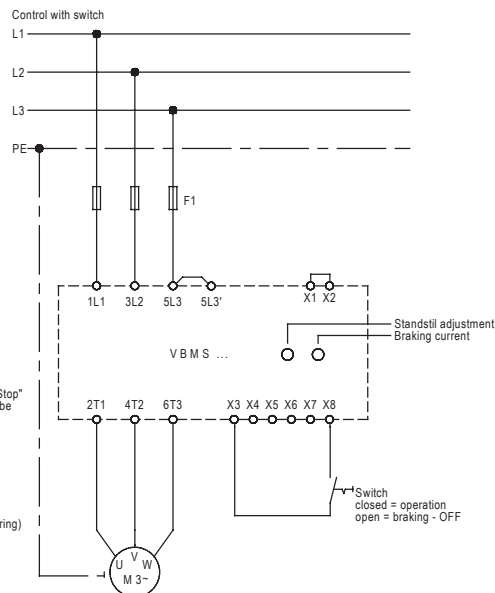
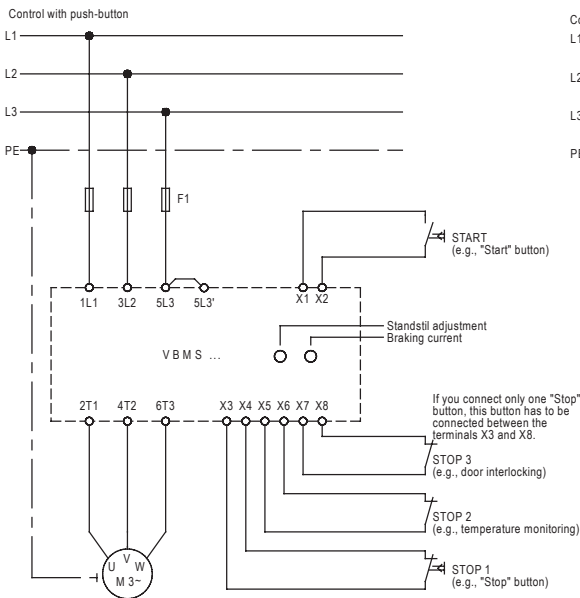
Please observe supplementary sheet with dimensioning rules.

Dimensions:



All dimensions in mm!

Connection Diagrams:



EMC
 The limit values for emitted interference according to the applicable device standards do not rule out the possibility that the limit values according to the basic standard EN 61000-6-3:2007 are exceeded. If it is necessary to comply with the limit values of the basic standard EN 61000-6-3:2007, PETER electronic will offer appropriate solutions for the VBMS device series. In this case, please contact us.
 We point out that the creator of the plant / machine shall be responsible to ensure compliance with the EMC law.