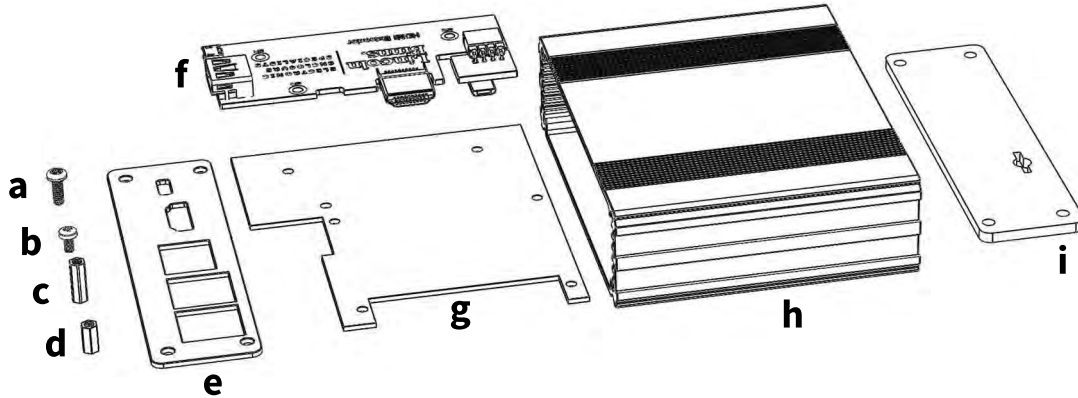
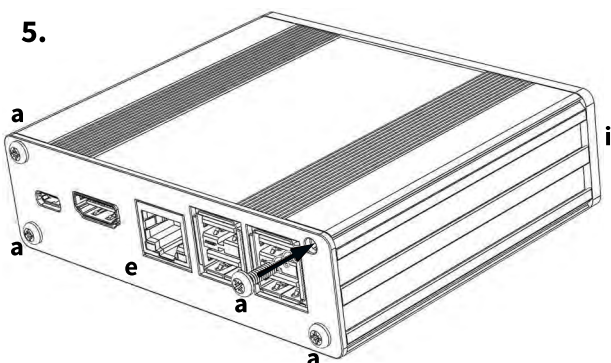
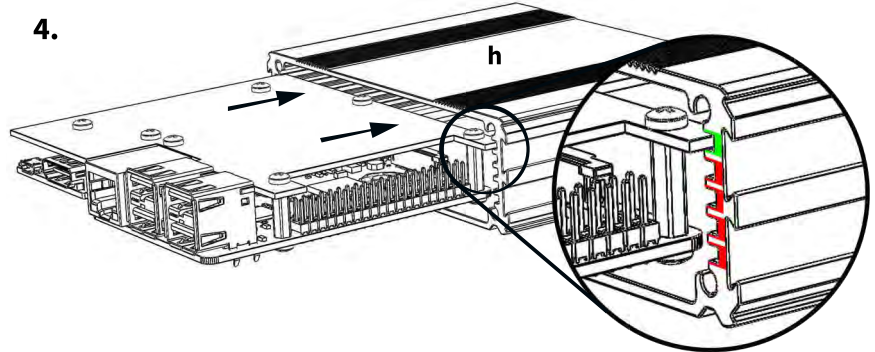
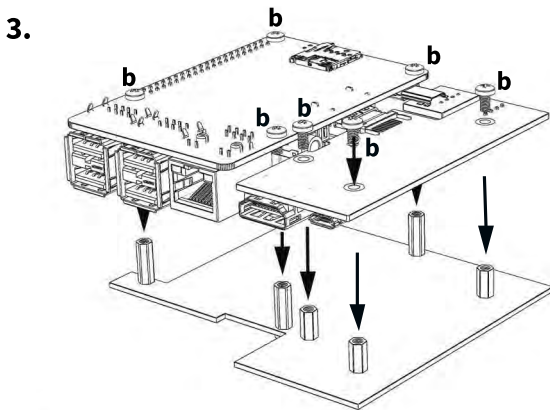
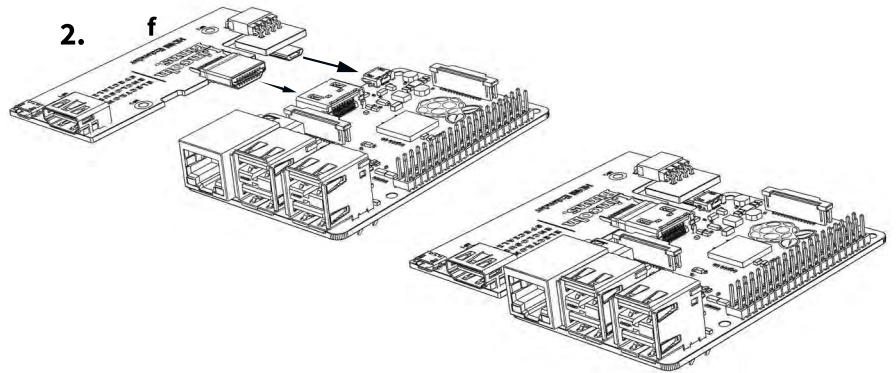
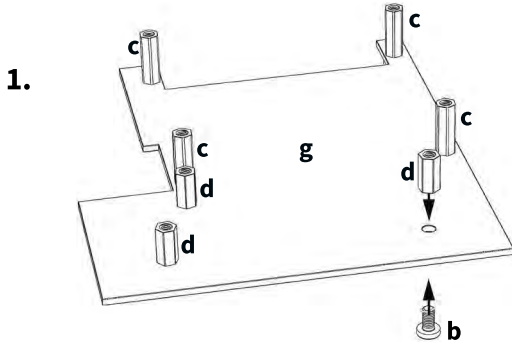


Assembly Instruction - Pi-Box Pro



Kit contains:

- (a) x8 10mm Screws
- (b) x14 8mm Screws
- (c) x4 12mm Standoffs
- (d) x3 8mm Standoffs
- (e) x1 Aluminium End Plate
- (f) x1 HDMI Extender PCB
- (g) x1 Aluminium Carrier Plate
- (h) x1 Aluminium Extrusion
- (i) x1 Acrylic End Plate



1. Take the carrier plate (g) and attach standoff (c) & (d) with screws (b).
2. Attach the HDMI extender board (f) to your Raspberry Pi by plugging into the HDMI & power connector.
3. Rotate the Raspberry Pi & HDMI extender board 180° and place onto carrier plate assembly. Using screws (b) attach the two together.
4. Rotate the carrier assembly so that the carrier plate is now on top of both PCBs. The carrier assembly slides into the **top** groove (marked in green) of the aluminium extrusion (h).
5. Attach aluminium (e) & acrylic (i) end plates to the extrusion (h) with screw (a).