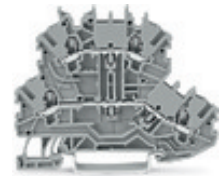




**Double-deck terminal block; Through/through terminal block; N/L;  
without marker carrier; gray housing**

*Item No.: 2000-2202*



## Marking

RoHS ✓  
Compliant

## Business data

<i>Supplier</i>	WAGO
<i>Item no.</i>	2000-2202
<i>GTIN / EAN</i>	4055143267731
<i>Content</i>	1

## Notes

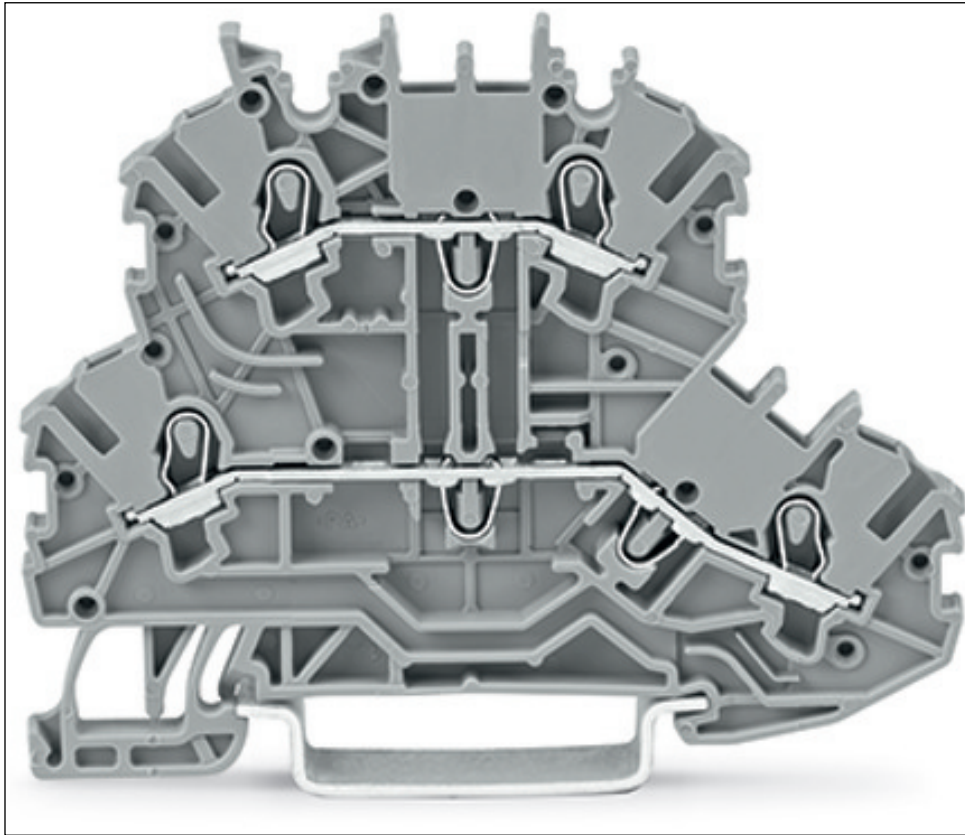
## Technical data

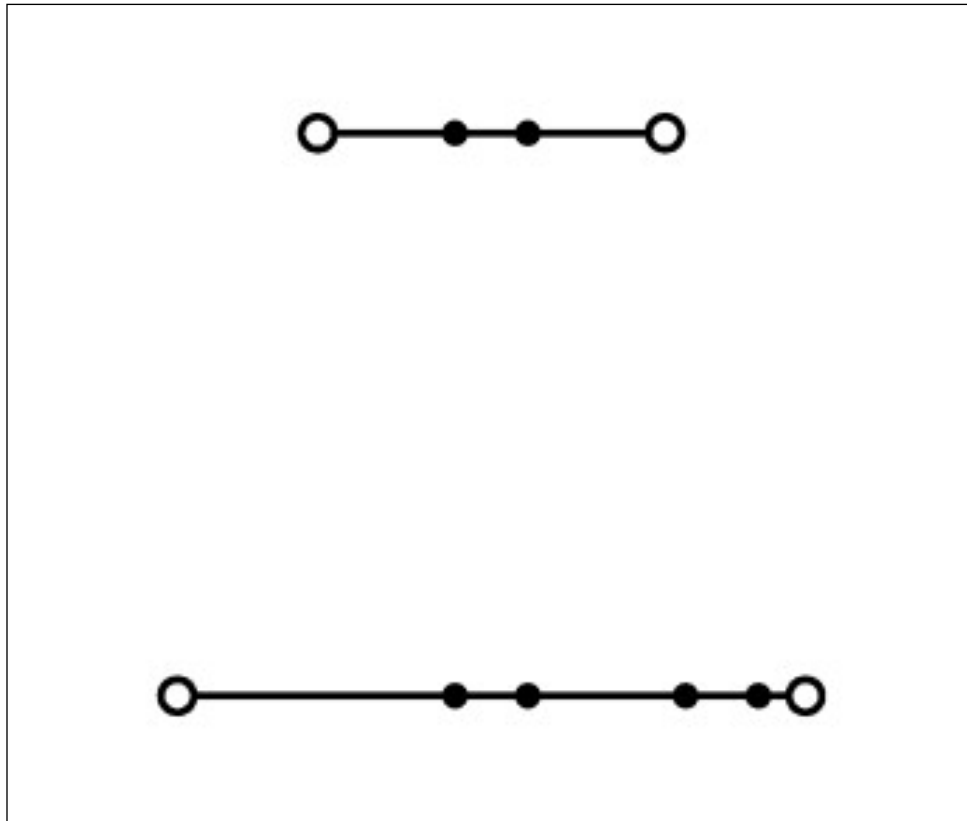
### Miscellaneous

<i>Ratings per</i>	IEC/EN 60947-7-1
<i>Rated voltage (III / 3) [V]</i>	500 [V]
<i>Rated impulse voltage (III / 3) [kV]</i>	6 [kV]
<i>Rated current [A]</i>	13.5 [A]
<i>Rated current (2) [A]</i>	16 [A]

<b>Technical data</b>	
<i>Legend (ratings)</i>	<i>(III / 3) Overvoltage category III / Pollution degree 3</i>
<i>Type of wiring</i>	<i>Front-entry wiring</i>
<i>Total number of connection points</i>	<i>4</i>
<i>Total number of potentials</i>	<i>2</i>
<i>Number of levels</i>	<i>2</i>
<i>Connection technology</i>	<i>Push-in CAGE CLAMP®</i>
<i>Number of connection points (connection type)</i>	<i>2</i>
<i>Actuation type</i>	<i>Push-in</i>
<i>Connectable conductor materials</i>	<i>Copper</i>
<i>Nominal cross section</i>	<i>1 mm<sup>2</sup></i>
<i>Solid conductor</i>	<i>0.14 ... 1.5 mm<sup>2</sup> / 24 ... 16 AWG</i>
<i>Solid conductor, push-in termination</i>	<i>0.5 ... 1.5 mm<sup>2</sup> / 20 ... 16 AWG</i>
<i>Fine-stranded conductor</i>	<i>0.14 ... 1.5 mm<sup>2</sup> / 24 ... 16 AWG</i>
<i>Fine-stranded conductor with ferrule, push-in termination, f</i>	<i>0.5 mm<sup>2</sup> / 20 AWG</i>
<i>Strip length</i>	<i>9 ... 11 mm / 0.35 ... 0.43 Inch</i>
<i>Number of connection points (connection type 2)</i>	<i>2</i>
<i>Width</i>	<i>3.5 mm / 0.138 Inch</i>
<i>Height from upper-edge of DIN-35 rail</i>	<i>51.7 mm / 2.035 Inch</i>
<i>Depth</i>	<i>69.7 mm / 2.744 Inch</i>
<i>Design</i>	<i>horizontal</i>
<i>Type of mounting</i>	<i>Carrier rail 35 x 15</i>
<i>Potential marking</i>	<i>N/L</i>
<i>Marking level</i>	<i>Center/side marking</i>
<i>Color</i>	<i>gray</i>
<i>Insulating material</i>	<i>Polyamide 66 (PA 66)</i>
<i>Fire load [MJ]</i>	<i>0.146 [MJ]</i>
<i>Weight [g]</i>	<i>7.32 [g]</i>
<i>Product Family</i>	<i>TOPJOB® S</i>
<i>Main product function</i>	<i>Multilevel terminal blocks</i>
<i>Product type</i>	<i>Through rail-mount term. blocks</i>

Images & drawings





#### Address

WAGO Kontakttechnik GmbH & Co. KG

Hansastr. 27

32423 Minden

Telefon: 0571/887-0

Fax: 0571/887-169

<http://www.wago.com>

© WAGO Kontakttechnik GmbH & Co. KG

Technische Änderungen und Irrtümer vorbehalten.