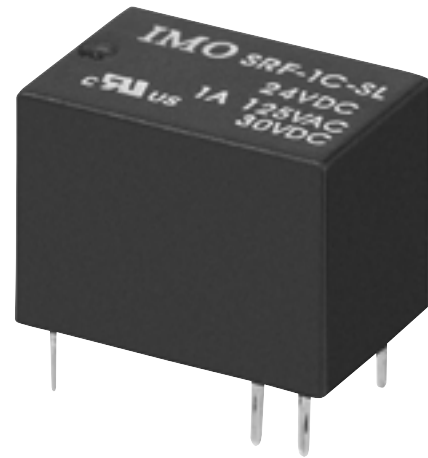


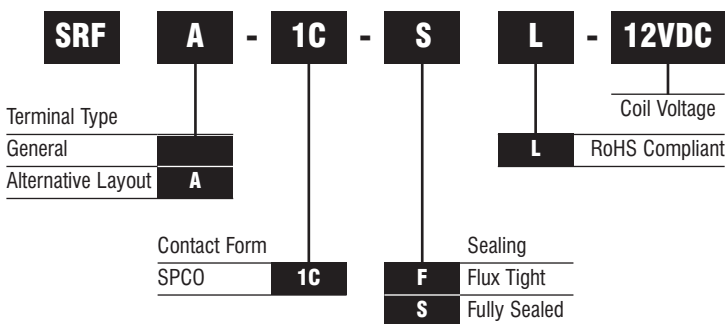
Subminiature Intermediate Power Relay SRF



- Low cost
- SPCO configuration
- Standard PC layout
- Sealed and Flux-Tight Construction
- UL Approved
- RoHS Compliant



Options and ordering codes



Contact Data

Type	1C
Initial contact resistance	100mΩ (at 1A, 24VDC)
Contact material	AgNi
Contact Rating (Res. Load)	1A 120VAC/30VDC
Max. switching voltage	240VAC/30VDC
Max. switching current	2A
Max. switching power	240VA/30W
Mechanical Life	1x10 ⁷ OPS
Electrical Life	1x10 ⁵ OPS

Characteristics

Initial Insulation Resistance	100MΩ 500VDC	
Dielectric Strength	Between coil & contact	1000VAC 1min.
	Between open contacts	500VAC 1min.
Operate time (at nomi. Volt)	Max. 10ms	
Release time (at nomi. Volt)	Max. 5ms	
Temperature rise (at nomi. Volt)	Max. 50 °C	
Shock resistance	Functional	98m/s ²
	Destructive	980m/s ²
Vibration resistance	1.5mm, 10 to 55Hz	
Humidity	35% to 85%	
Ambient temperature	-25 °C to 70 °C	
Termination	PCB	
Unit Weight	5g	
Construction	Sealed & Flux-Tight	

Coil

Coil power	200mW
------------	-------

Coil Data

Nominal Voltage VDC	Pick-up Voltage VDC	Drop-out Voltage VDC	Max. allowable Voltage (at 105 °C)	Coil Resistance Tolerance ± 10% Ω
3	2.3	0.3	3.9	45
5	3.8	0.5	6.5	120
6	4.5	0.6	7.8	180
9	6.8	0.9	11.7	400
12	9.0	1.2	15.6	700
24	18.0	2.4	31.2	2800

Safety Approval Ratings

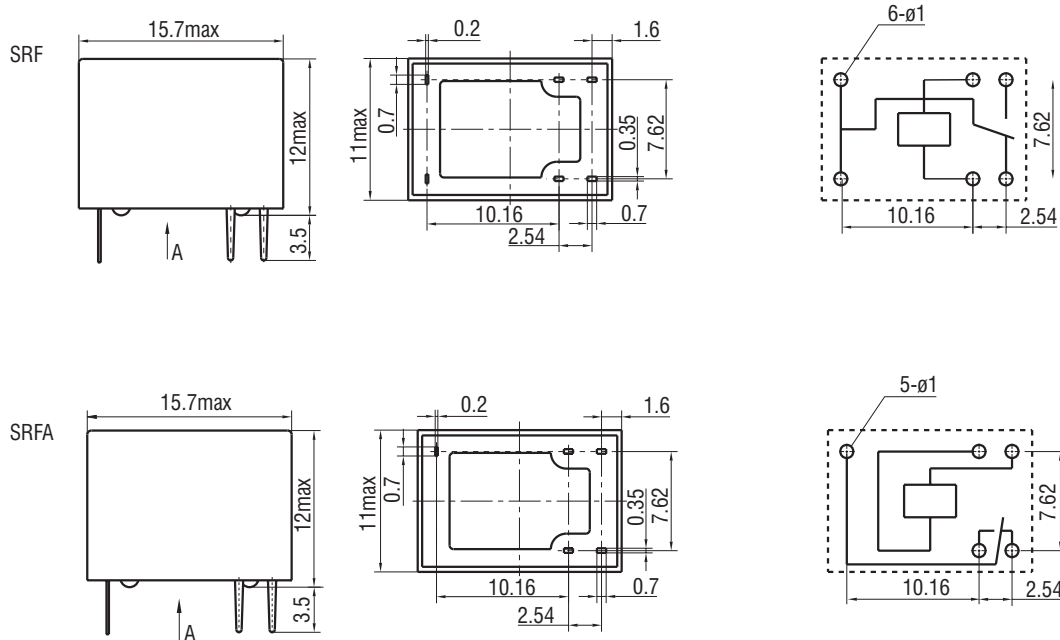
UL	1A 125VAC 1A 30VDC
VDE (SRFA)	1A 30VDC 1A 250VAC cos phi=1

Subminiature Intermediate Power Relay SRF



Outline dimensions (mm)

Wiring diagram and PC Board layout



Characteristic Curve

