



## SOCKET & RELAY MODULES

### 10FF-3Z-C3 Din Rail Socket

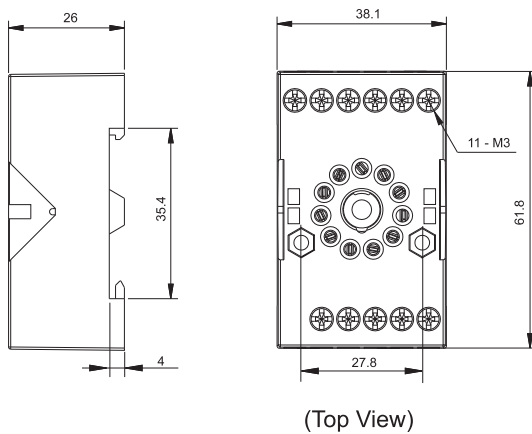


| Socket Characteristics    |                                |
|---------------------------|--------------------------------|
| Ambient Temperature       | -40°C to +70°C                 |
| Voltage Rating            | 200VAC                         |
| Current Rating            | 10A per pole                   |
| DIN Protection rating     | IP20 (DIN40050)                |
| Construction material     | PA66+GF VO (UL)                |
| Spring Contact material   | QSn6.5-0.1                     |
| Retainer                  | 10FF-TEC                       |
| White plastic tag         | Non available                  |
| Modules                   | Non available                  |
| Terminal torque           | 0.6Nm                          |
| Wire strip length         | 7mm                            |
| Relay Applications        | HF10FH (3 Poles)               |
| Dielectric Strength (min) | 2000VAC                        |
| Max wire range            | 1 x 4 / 2 x 2.5mm <sup>2</sup> |

### Dimensions, Socket Terminal Layout and Wiring Diagram

(Units in mm)

#### Outline Dimensions



#### Wiring Diagram

