

DBM2 Metal Enclosure



Technical Datasheet

Key Features

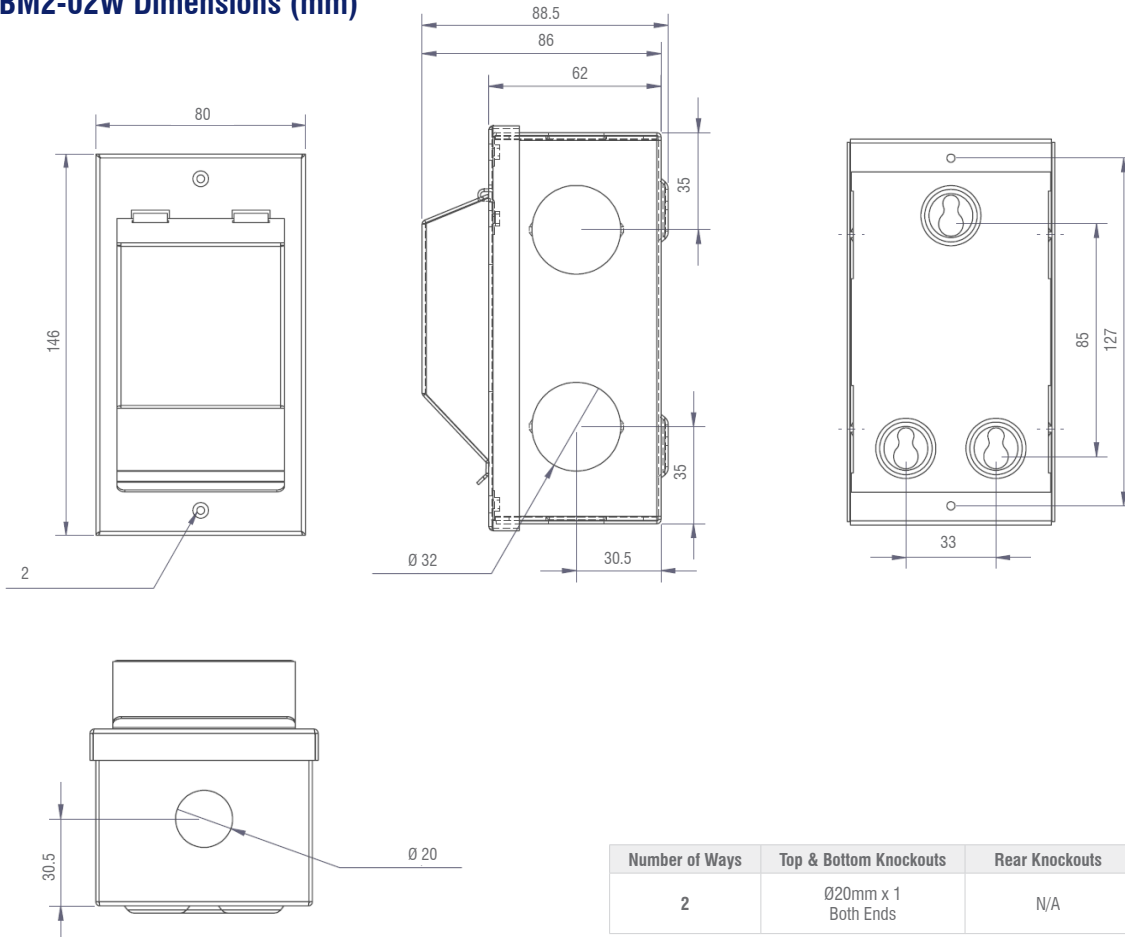
- Fully enclosed metal construction with drop-down metal cover
- Multiple circular cable entry knockouts on the top and bottom
- Circular cable entry knockouts on sides
- Raised key holes for secure easy installation
- Raised DIN Rail improves cable routing
- Complies with BS7671 Amendment 3:2015 and BS EN 61439-3
- Captive screws
- IP20 protection rating
- Neutral link option
- Accessory Pack containing blanking plate and circuit labels



Specifications

Number of Ways	2	4	4 (with Neutral Link)
Part Number	DBM2-02W	DBM2-04W	DBM2-04W-NL
Construction Material	Metal		
Protection Rating	IP20		
Colour	Signal White - RAL9003		

DBM2-02W Dimensions (mm)



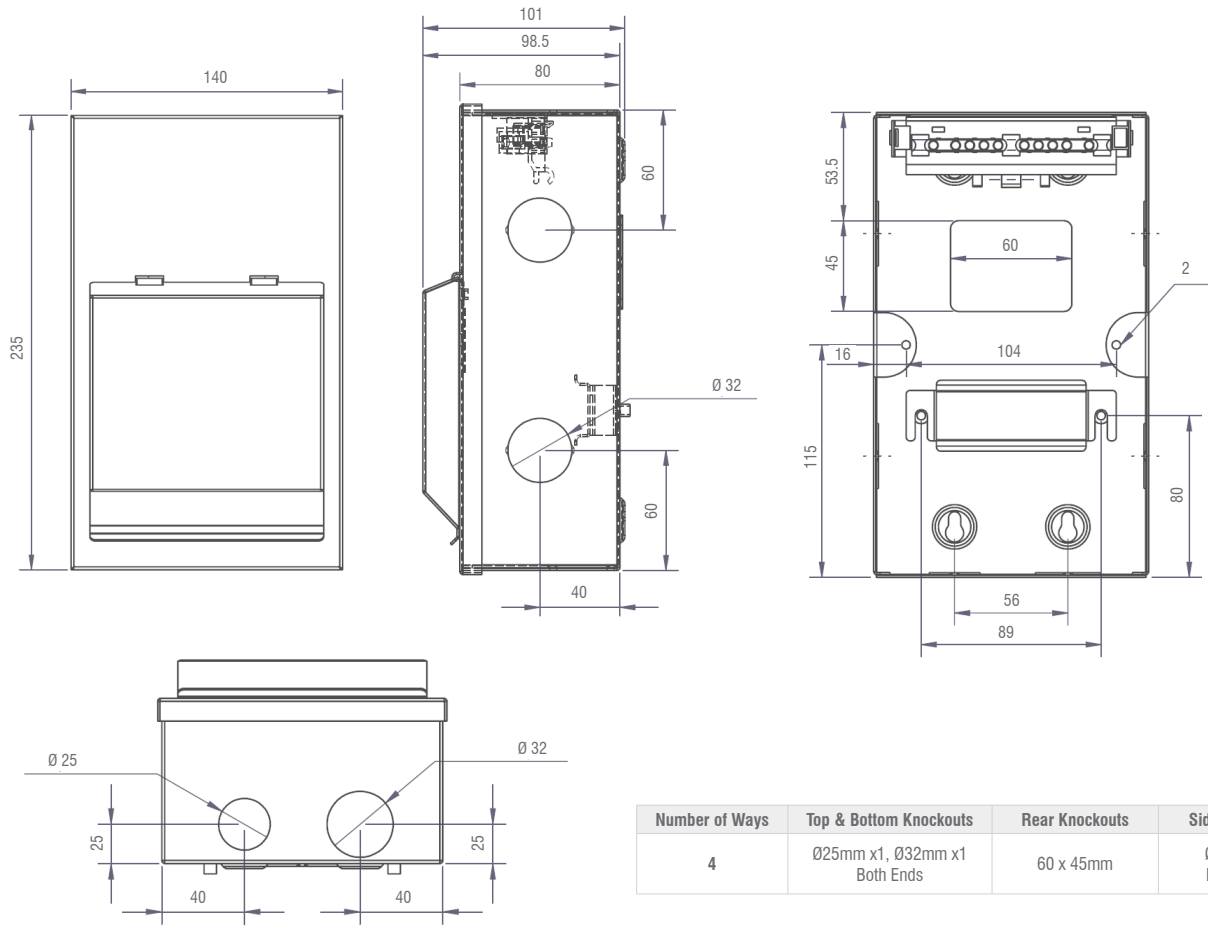
Number of Ways	Top & Bottom Knockouts	Rear Knockouts	Side Knockouts
2	Ø20mm x 1 Both Ends	N/A	Ø32mm x 2 Both Sides

DBM2 Metal Enclosure



DBM2-04W Dimensions (mm)

Technical Datasheet



Number of Ways	Top & Bottom Knockouts	Rear Knockouts	Side Knockouts
4	$\varnothing 25\text{mm} \times 1$, $\varnothing 32\text{mm} \times 1$ Both Ends	60 x 45mm	$\varnothing 32\text{mm} \times 2$ Both Sides