

Automotive High Sensitivity Relay, SPDT, 12VDC, 30A



DESCRIPTION

High Sensitivity, miniature, single pole Automotive Relays. These high sensitivity, miniature, single pole, pcb mounting relays are designed for switching control signals within automotive circuits.

DISTINCTIVE FEATURES

- Miniature Size
- Fully Sealed Construction
- SPDT Contact Configuration
- Contact Form: 1 Form C
- PCB Mounting
- Low Noise Operation

APPLICATIONS

These relays are suitable for use in automotive control circuits for car alarm, powered windows, central locking, seat adjustment, sunroof motor, wipers, etc.

30A

1 Form C





ELECTRICAL SPECIFICATION

Contact Form	1 Form C	
Contact Rating		NO: 20A 14VDC NC: 15A 14VDC
Contact Resistance	Maximum	100mΩ (6VDC 1A)
Insulation Resistance	Minimum	100MΩ 500VDC
Load	Max Switching Voltage	16VDC
	Max Switching Current	30A
	Max.Continued Operation Current	NO: 30A (23°C, 1hr) NC: 25A (23°C, 1hr)
Dielectric Strength	Between open contacts	550VAC, 1min
	Between coil and contacts	550VAC, 1min

Coil Data

Ambient Temperature: 23°C

Part number	Nominal Voltage VDC	Coil Resistance Ω+/-10%	Operate Voltage ≤VDC	Release Voltage ≥VDC	Coil Power W
61-6313	12	261	6.9	1.2	0.55



GENERAL SPECIFICATION

Series	Automotive Relays, SPDT, 30A, 12VDC
Mounting Type	PCB Mount
RoHS	Yes



MATERIALS

Contact Material	Ag Alloy
Outer Case Material	Plastic sealed



ENVIRONMENTAL/OPERATING SPECIFICATION

Electrical Life	100,000 operations	
Mechanical Life	10,000,000 operations	
Operate Time	Max. 4ms	
Release Time	Max. 2ms	
Operating Temperature	-40°C to +105°C	
Humidity	35~95%RH, +40°C	
Shock Resistance	Endurance	30g, 6ms
	Misoperation	30g, 6ms
Vibration Resistance	Endurance	10~500Hz, 6g
	Misoperation	10~500Hz, 6g



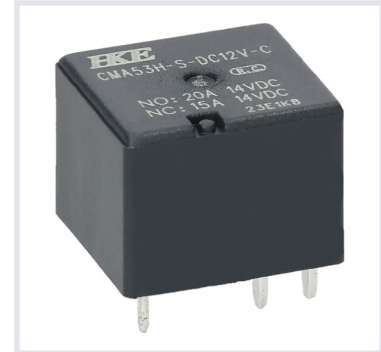
TERMINALS

Terminal Type	Solder pins
Terminal Dimensions	See drawing on page 4

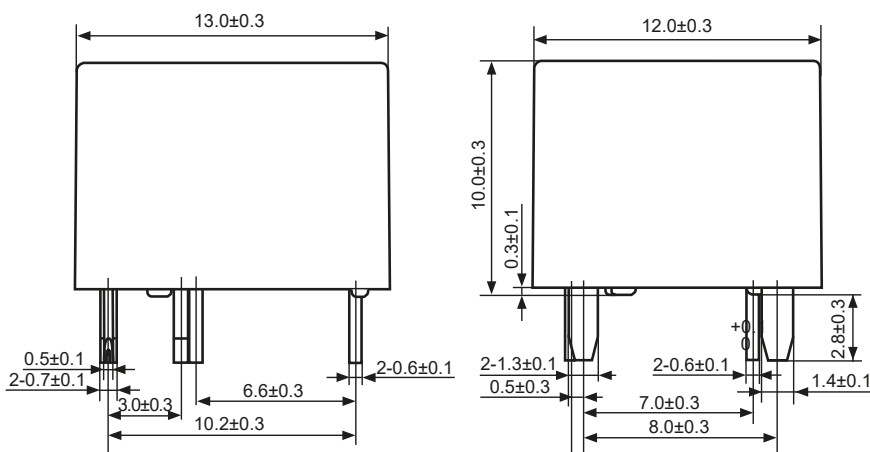


DIMENSIONS/DRAWINGS

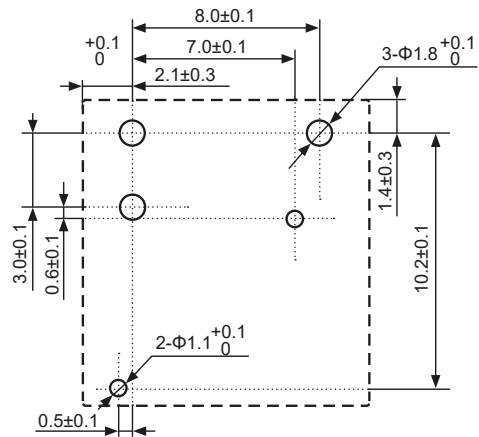
Units	mm - unless stated otherwise
Dimensions (Summary)	13.0 × 12.0 × 10.0
Length	13.0
Width	12.0
Height (Excluding pins)	10.0
Weight	4g



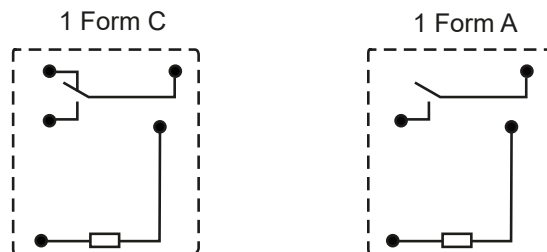
Outline



Mounting Hole Layout
(Bottom View)

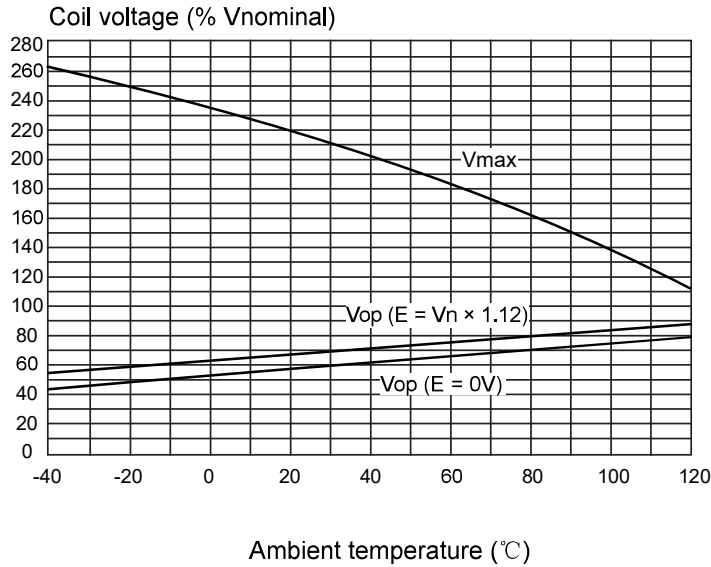


Wiring Diagram
(Bottom View)



ISO9001, IATF16949, ISO14001 Approved

Operating voltage range



Does not take into account temperature rise due to contact current

V_{op} = Operation Voltage

E = Pre-energization



OPTIONS (MOQ may apply)

Also available in	12 & 24V versions with a standard or high sensitivity coil. Contact form 1 form A (SPST-NO) & 1 form C (SPDT) versions are available.
-------------------	---



PART NUMBER TABLE

Part number	Nominal Coil Voltage	UNSPSC	EAN	Country of Origin
61-6313	12VDC	39122325	5053556011384	China

For further information on pricing, delivery, and long-term stock agreements please contact your local business development person, telephone our main office on **01206 838000** or email **Sales@Rapidonline.com**.



Tried & trusted technology

Important Notice: This data sheet and its contents (the "Information") belong to Rapid Electronics Limited or are licensed to it. No licence is granted for the use of it other than for information purposes in connection with the products to which it relates. No licence of any intellectual property rights is granted. The Information is subject to change without notice and replaces all data sheets previously supplied. The Information supplied is believed to be accurate but Rapid Electronics Limited assumes no responsibility for its accuracy or completeness, any error in or omission from it or for any use made of it. Users of this data sheet should check for themselves the information and the suitability of the products for their purpose and not make any assumptions based on information included or omitted. Liability for loss or damage resulting from any reliance on the Information or use of it (including liability resulting from negligence or where Rapid Electronics Limited were aware of the possibility of such loss or damage arising) is excluded. This will not operate to limit or restrict Rapid Electronics Limited's liability for death or personal injury resulting from its negligence.