

## Preset potentiometers

Order code	Manufacturer code	Description
68-0905	3362P-1-101	100 OHMS 0.25IN HORIZ.CERMET
68-0910	3362P-1-201	200 OHMS 0.25IN HORIZ.CERMET
68-0915	3362P-1-501	500 OHMS 0.25IN HORIZ.CERMET
68-0920	3362P-1-102	1K 0.25IN HORIZONTAL CERMET
68-0925	3362P-1-202	2K 0.25IN HORIZONTAL CERMET
68-0930	3362P-1-502	5K 0.25IN HORIZONTAL CERMET
68-0935	3362P-1-103	10K 0.25IN HORIZONTAL CERMET
68-0940	3362P-1-203	20K 0.25IN HORIZONTAL CERMET
68-0945	3362P-1-503	50K 0.25IN HORIZONTAL CERMET
68-0950	3362P-1-104	100K 0.25IN HORIZONTAL CERMET
68-0955	3362P-1-204	200K 0.25IN HORIZONTAL CERMET
68-0960	n/a	500K 0.25IN HORIZONTAL CERMET
68-0965	3362P-1-105	1M 0.25IN HORIZONTAL CERMET

Preset potentiometers	Page 1 of 3
The enclosed information is believed to be correct, Information may change 'without notice' due to product improvement. Users should ensure that the product is suitable for their use. E. & O. E.	Revision A 04/07/2003

## 1/4" Square, single turn cermet industrial sealed potentiometers

### Features

- Miniature package
- Rotor designed for automatic machine adjust interface
- Multi-wire wiper to minimise CRV
- Withstands harsh environments and immersion cleaning processes

### Electrical Characteristics

Standard resistance range:	10 to 2M $\Omega$ (see standard resistance table)
Resistance tolerance:	$\pm$ 10% std. (tighter tolerances available)
Absolute minimum resistance:	1% or 2 $\Omega$ (whichever is greater)
Contact resistance variation:	1% or 3 $\Omega$ max.(whichever is greater)
Adjustability	
Voltage:	$\pm$ 0.05%
Resistance:	$\pm$ 0.15%
Resolution:	Infinite
Insulation resistance:	500VDC 1000m $\Omega$ minimum
Dielectric strength:	
Sea level:	900VAC
80,000 feet:	350VAC
Adjustment angle:	240° nominal

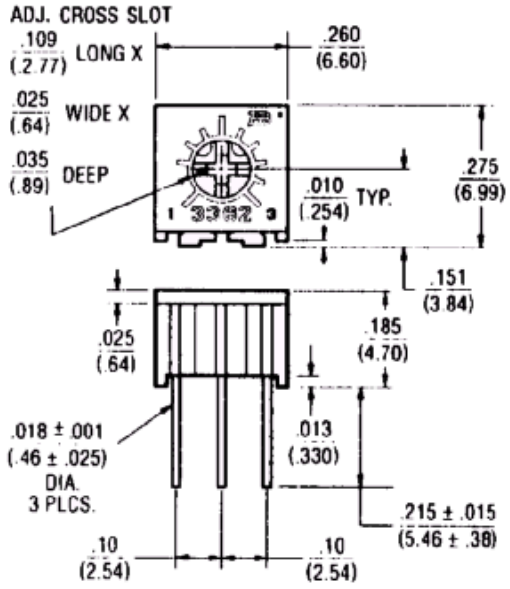
### Environment characteristics

Power rating (300 volts max.)	
70°C:	0.50 Watt
125°C:	0 Watt
Temperature range:	-55°C to +125°C
Temperature coefficient:	$\pm$ 100ppm/°C
Seal test:	85°C Fluorinert*
Humidity:	MIL-STD-202 Method 103, 96 hours
Vibration:	30G(1% $\Delta$ TR; 1% $\Delta$ VR)
Shock:	100G(1% $\Delta$ TR; 1% $\Delta$ VR)
Load life:	1,00 hours 0.5watt @ 70°C (3% $\Delta$ TR; 3% or 3 $\Omega$ , whichever is greater, CRV)
Rotational life:	200 cycles (4% $\Delta$ TR; 3% or 3 $\Omega$ , whichever is greater, CRV)

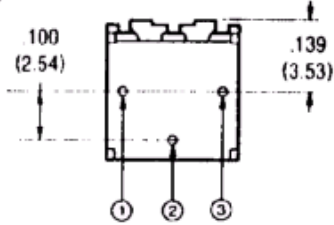
### Physical characteristics

Mechanical angle:	270° nominal
Torque:	3.0 oz-in. maximum
Stop strength:	7.0 oz-in. minimum
Terminals:	Solderable pins
Weight:	0.02 oz
Marking:	Manufacturers trademark, resistance code, terminal numbers, manufacturers model number, style and date code.
Standard packaging:	50 pcs. per tube

**COMMON DIMENSIONS  
TOP ADJUST**

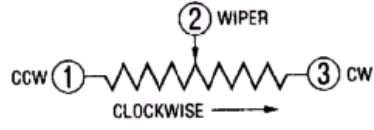


**3362P**



TOLERANCES:  $\pm \frac{.010}{(0.25)}$  EXCEPT WHERE NOTED

DIMENSIONS:  $\frac{IN.}{(MM)}$



Standard resistance table

Resistance (Ohms)	Resistance code
100	101
200	201
500	501
1,000	102
2,000	202
5,000	502
10,000	103
20,000	203
25,000	253
50,000	503
100,000	104