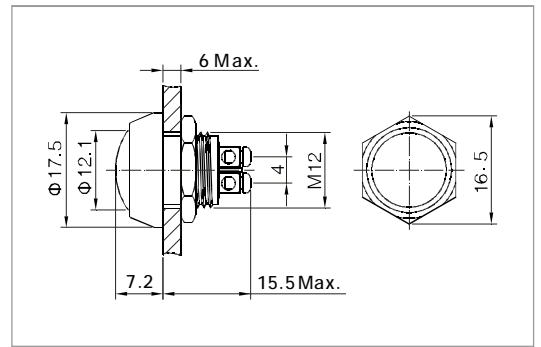


# ANTI-VANDAL(COLOR) PUSHBUTTONS

## PUSH BUTTON SWITCH



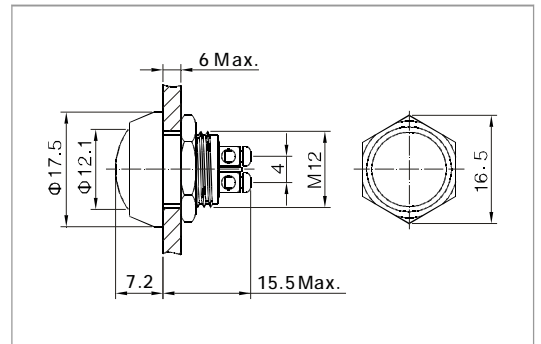
- ⊙  $\Phi$  12mm diameter
- ⊙ 2A/48VDC
- ⊙ 1NO
- ⊙ Domed profile
- ⊙ The crust material: Stainless Steel/  
Nikel Plated Brass
- ⊙ IP Degree: IP65



## COLOR PUSH BUTTON SWITCH



- ⊙  $\Phi$  12mm diameter
- ⊙ 2A/48VDC
- ⊙ 1NO
- ⊙ Domed profile
- ⊙ The crust material: Zn- Al alloy
- ⊙ Material of actuator: PBT
- ⊙ Head Color: R G Y O B W
- ⊙ IP Degree: IP65



Specification		GQ12-B	GQ12-B/A
Terminal Type		Screw Terminals	Screw Terminals
Switching		No.1	No.1
Max. Switch Rating		2A/48VDC	2A/48VDC
Contact Resistance		$\leq 50\text{m}\Omega$	$\leq 50\text{m}\Omega$
Insulation Resistance		$\geq 1000\text{M}\Omega$	$\geq 1000\text{M}\Omega$
Dielectric Strength		2000VAC	2000VAC
Operation Temp.		-20°C ~ +70°C	-20°C ~ +70°C
Mechanical Life		1,000,000cycles	1,000,000cycles
Electrical Life		200,000cycles	200,000cycles
Contact Material		Silver Alloy	Silver Alloy
Panel Thickness		1 ~ 6mm	1 ~ 6mm
Torque		5 ~ 14Nm	5 ~ 14Nm
Operation Temp.		5.5N	5.5N
IP Degree		IP65	IP65
Material	Button	Stainless Steel/Nikel Plated Brass	PBT
	Body	Stainless Steel/Nikel Plated Brass	Zn- Al alloy
	Base	PBT	PBT
Head color		—	<span style="color: red;">R</span> <span style="color: green;">G</span> <span style="color: yellow;">Y</span> <span style="color: orange;">O</span> <span style="color: blue;">B</span> <span style="border: 1px solid black; padding: 0 2px;">W</span>
<span style="background-color: green; color: white; padding: 2px;">RoHS</span>		Made to order	Made to order