

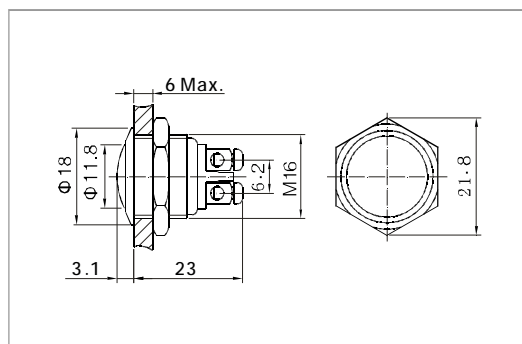
# ANTI-VANDAL PUSHBUTTONS

## PUSH BUTTON SWITCH



GQ16-B

- ⊙  $\Phi$  16mm diameter
- ⊙ 2A/48VDC
- ⊙ 1NO
- ⊙ The Front Shape:Domed
- ⊙ The crust material:Stainless Steel/  
Brass(Nikel Plated, Gold Plated)
- ⊙ IP Degree:IP65

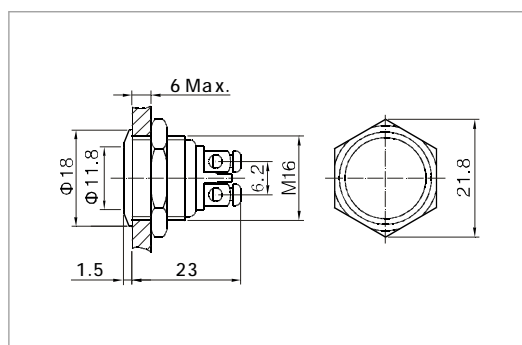


## PUSH BUTTON SWITCH



GQ16-F

- ⊙  $\Phi$  16mm diameter
- ⊙ 2A/48VDC
- ⊙ 1NO
- ⊙ The Front Shape:Flat Round
- ⊙ The crust material:Stainless Steel/  
Brass(Nikel Plated, Gold Plated)
- ⊙ IP Degree:IP65

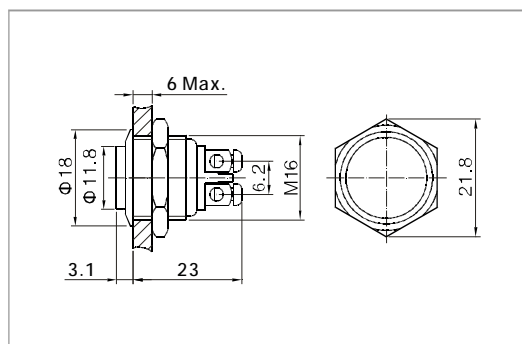


## PUSH BUTTON SWITCH



GQ16-H

- ⊙  $\Phi$  16mm diameter
- ⊙ 2A/48VDC
- ⊙ 1NO
- ⊙ The Front Shape:High Round
- ⊙ The crust material:Stainless Steel/  
Brass(Nikel Plated, Gold Plated)
- ⊙ IP Degree:IP65



| Specification         | GQ16-B             | GQ16-F   | GQ16-H   |
|-----------------------|--------------------|--|--|
| The Front Shape       | Domed              | Flat Round                                       | High Round                                       |
| Terminal Type         | Screw Terminals    | Screw Terminals                                  | Screw Terminals                                  |
| Switching             | No.1               | No.1   | No.1   |
| Max.Switch Rating     | 2A/48VDC           | 2A/48VDC   | 2A/48VDC   |
| Contact Resistance    | $\leq 50m\Omega$   | $\leq 50m\Omega$                                 | $\leq 50m\Omega$                                 |
| Insulation Resistance | $\geq 1000M\Omega$ | $\geq 1000M\Omega$                               | $\geq 1000M\Omega$                               |
| Dielectric Strength   | 2000VAC            | 2000VAC  | 2000VAC  |
| Operation Temp.       | -20°C ~ +70°C      | -20°C ~ +70°C                                    | -20°C ~ +70°C                                    |
| Mechanical Life       | 1,000,000cycles    | 1,000,000cycles                                  | 1,000,000cycles                                  |
| Electrical Life       | 200,000cycles      | 200,000cycles                                    | 200,000cycles                                    |
| Contact Material      | Silver Alloy       | Silver Alloy                                     | Silver Alloy                                     |
| Panel Thickness       | 1 ~ 6mm            | 1 ~ 6mm  | 1 ~ 6mm  |
| Torque                | 5 ~ 14Nm           | 5 ~ 14Nm   | 5 ~ 14Nm   |
| Operation Temp.       | 5.5N               | 5.5N   | 5.5N   |
| IP Degree             | IP65               | IP65   | IP65   |
| Material              | Button             | Stainless Steel/Brass(Nikel Plated, Gold Plated) | Stainless Steel/Brass(Nikel Plated, Gold Plated) |
|                       | Body               | Stainless Steel/Brass(Nikel Plated, Gold Plated) | Stainless Steel/Brass(Nikel Plated, Gold Plated) |
|                       | Base               | PBT  | PBT  |
| RoHS                  | Made to order      | Made to order                                    | Made to order                                    |