

Implication of Type

◆The part-number description of indicator

GQ □□ - □ / □ / □□ / □					
Code of Series	Mounting hole: 8 Φ8mm 12 Φ12mm	Operational type: D signal lamp	Color: R red G green Y yellow O orange B blue W white	Lamp voltage: 6V AC/DC 12V AC/DC 24V AC/DC	The crust material: N Nickel Plated Brass S Stainless Steel

MARK: ⊙ GQ8 indicator lamp have two crust material: Nickel Plated Brass & Stainless Steel for your choice;
 ⊙ GQ12 indicator lamp only have Stainless Steel crust.

◆The part-number description of pushbutton switch and illuminated pushbutton switch

GQ □□ - □ / □ / □ / □					
Code of Series	Mounting hole: 12 Φ12mm 16 Φ16mm 19 Φ19mm	The Front Shape: B Domed F Flat Round H High Round	Connect type: J: Pin Terminal No letter means Screw Terminals	The crust material: N Nickel Plated Brass G Gold Plated Brass S Stainless Steel A Zn-Al alloy	Color: R red G green Y yellow O orange B blue W white

MARK: ⊙ GQ12's crust material is Zn-Aluminium alloys, six colors are available;
 ⊙ GQ22, GQ25 series are in development stage.

LAS2GQ □ - □□ □ / □ / □□ / □							
Code of Series	The Front Shape: F Flat Round H High Round C Concave Round G High Concave Round	Contact Structure: 11 1NO1NC 22 2NO2NC	Code name of derivative products: Z alternate type The momentary type is without letter	Lamp type: D dot E ring No letter means without lamp.	Lamp Color: R red G green Y yellow O orange B blue W white	Lamp voltage: 6V AC/DC 12V AC/DC 24V AC/DC 110V AC/DC 220V AC/DC	The crust material: N Nickel Plated Brass G Gold Plated Brass S Stainless Steel

MARK: ⊙ High concave round have six colors for your choice.

LAS1GQ LAS1-AGQ - □□ □ / □ / □ LAS1-BGQ					
Code of series	Contact structure: 11 1NO1NC 22 2NO2NC 33 3NO3NC	Code name of derivative products: Z alternate type Y key switch The momentary type is without letter	Lamp type: D dot illuminated E ring illuminated No letter means without lamp.	Lamp color: R red G green Y yellow O orange B blue W white	Lamp voltage: 6V AC/DC 12V AC/DC 24V AC/DC 110V AC/DC 220V AC/DC

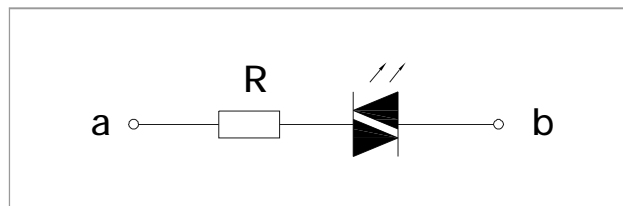
MARK: ⊙ The material of crust use Stainless Steel;
 ⊙ Front shape: Flat round.

Lamp Ratings

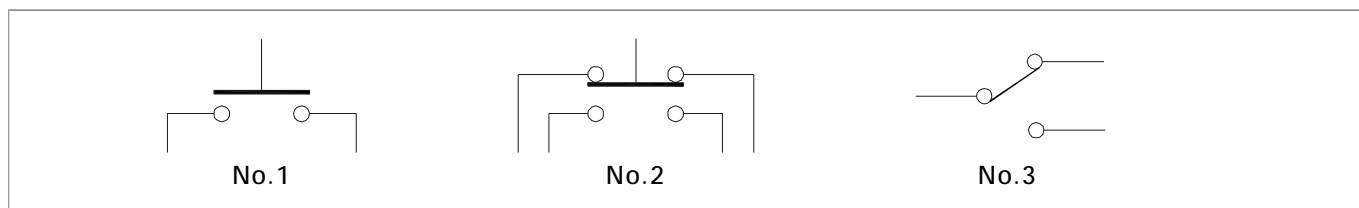
Lamp Type	LED Lamp		
Rated Voltage	AC/DC6V	AC/DC12V	AC/DC24V
	AC/DC110V		AC/DC220V
Cover Color	R	G	Y O B W
Life	About 40,000 hours		

Note: The lamp contains a current-limiting resistor.
Other operating voltage can be customized.

Lamp circuit diagram

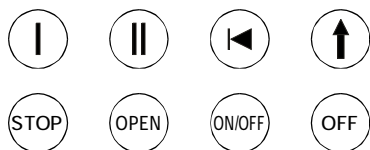


Switching Operation

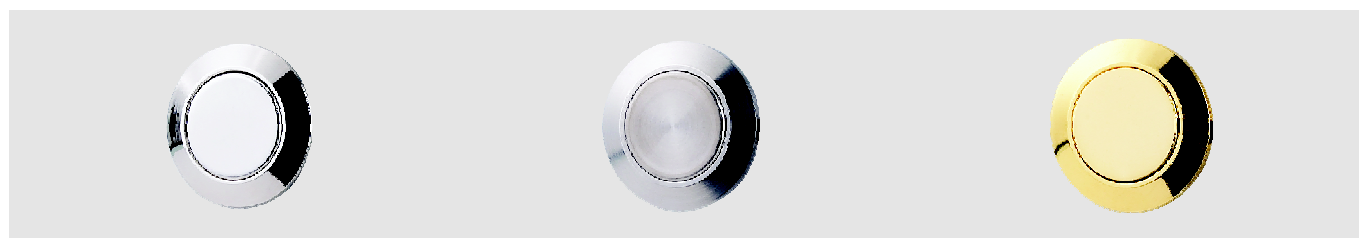


Engraving Options

- Special type can be made to order.
- Examples



Visual Effect



Nikel Plated Brass
Satin surface

Stainless Steel
Spiral surface

Gold-plated brass
Satin surface

Soldering information

- Handiwork soldering: Soldering iron 30W or under 30W at 230°C for 3sec max.

Purchasing Notice

- Please write ONPOW code after check the Implication of Type and the detailed specification in the catalogue.
- Please place an order over 1,000pcs if the products need to be made to order.
- All IP Degree listed in our forms can seal front of panel only.

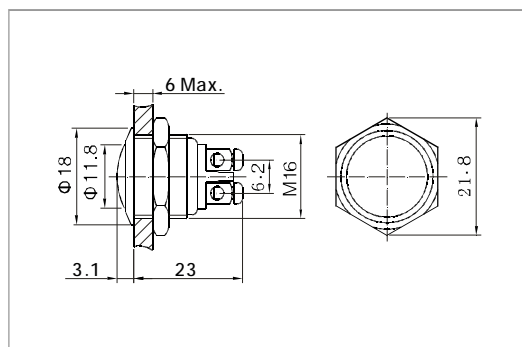
ANTI-VANDAL PUSHBUTTONS

PUSH BUTTON SWITCH



GQ16-B

- ⊙ Φ 16mm diameter
- ⊙ 2A/48VDC
- ⊙ 1NO
- ⊙ The Front Shape:Domed
- ⊙ The crust material:Stainless Steel/
Brass(Nikel Plated, Gold Plated)
- ⊙ IP Degree:IP65

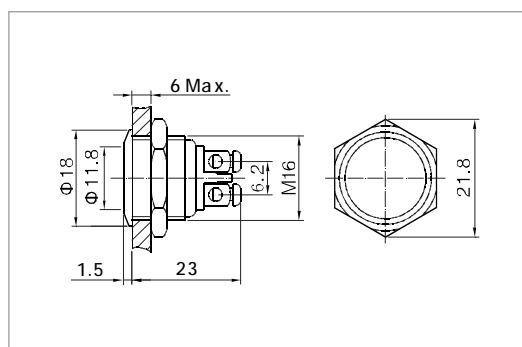


PUSH BUTTON SWITCH



GQ16-F

- ⊙ Φ 16mm diameter
- ⊙ 2A/48VDC
- ⊙ 1NO
- ⊙ The Front Shape:Flat Round
- ⊙ The crust material:Stainless Steel/
Brass(Nikel Plated, Gold Plated)
- ⊙ IP Degree:IP65

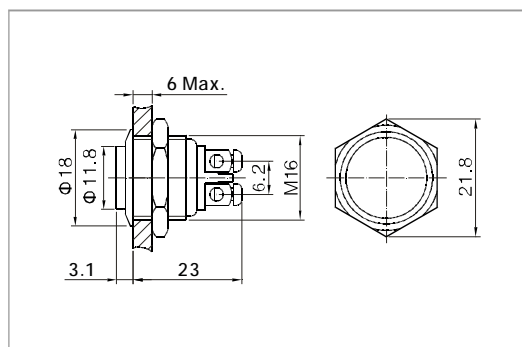


PUSH BUTTON SWITCH



GQ16-H

- ⊙ Φ 16mm diameter
- ⊙ 2A/48VDC
- ⊙ 1NO
- ⊙ The Front Shape:High Round
- ⊙ The crust material:Stainless Steel/
Brass(Nikel Plated, Gold Plated)
- ⊙ IP Degree:IP65



Specification	GQ16-B	GQ16-F	GQ16-H
The Front Shape	Domed	Flat Round	High Round
Terminal Type	Screw Terminals	Screw Terminals	Screw Terminals
Switching	No.1	No.1	No.1
Max.Switch Rating	2A/48VDC	2A/48VDC	2A/48VDC
Contact Resistance	$\leq 50m\Omega$	$\leq 50m\Omega$	$\leq 50m\Omega$
Insulation Resistance	$\geq 1000M\Omega$	$\geq 1000M\Omega$	$\geq 1000M\Omega$
Dielectric Strength	2000VAC	2000VAC	2000VAC
Operation Temp.	-20°C ~ +70°C	-20°C ~ +70°C	-20°C ~ +70°C
Mechanical Life	1,000,000cycles	1,000,000cycles	1,000,000cycles
Electrical Life	200,000cycles	200,000cycles	200,000cycles
Contact Material	Silver Alloy	Silver Alloy	Silver Alloy
Panel Thickness	1 ~ 6mm	1 ~ 6mm	1 ~ 6mm
Torque	5 ~ 14Nm	5 ~ 14Nm	5 ~ 14Nm
Operation Pressure	5.5N	5.5N	5.5N
IP Degree	IP65	IP65	IP65
Material	Button	Stainless Steel/Brass(Nikel Plated, Gold Plated)	Stainless Steel/Brass(Nikel Plated, Gold Plated)
	Body	Stainless Steel/Brass(Nikel Plated, Gold Plated)	Stainless Steel/Brass(Nikel Plated, Gold Plated)
	Base	PBT	PBT
RoHS	Made to order	Made to order	Made to order

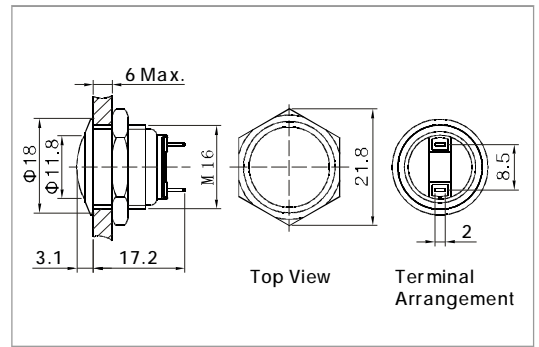
ANTI-VANDAL PUSHBUTTONS

PUSH BUTTON SWITCH



GQ16-B/J

- ⊙ Φ 16mm diameter
- ⊙ 2A/48VDC
- ⊙ 1NO
- ⊙ Front Shape:Domed
- ⊙ crust material:Stainless Steel/
Brass(Nikel Plated,Gold Plated)
- ⊙ IP Degree:IP65

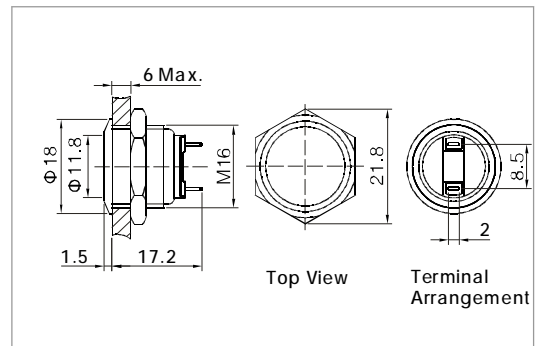


PUSH BUTTON SWITCH



GQ16-F/J

- ⊙ Φ 16mm diameter
- ⊙ 2A/48VDC
- ⊙ 1NO
- ⊙ Front Shape:Flat Round
- ⊙ Crust material:Stainless Steel/
Brass(Nikel Plated,Gold Plated)
- ⊙ IP Degree:IP65

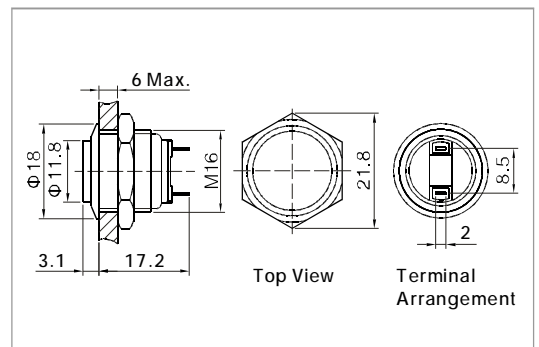


PUSH BUTTON SWITCH



GQ16-H/J

- ⊙ Φ 16mm diameter
- ⊙ 2A/48VDC
- ⊙ 1NO
- ⊙ Front Shape:High Round
- ⊙ Crust material:Stainless Steel/
Brass(Nikel Plated,Gold Plated)
- ⊙ IP Degree:IP65



Specification	GQ16-B/J	GQ16-F/J	GQ16-H/J
The Front Shape	Domed	Flat Round	High Round
Terminal Type	Pin Terminal(2×0.5mm)	Pin Terminal(2×0.5mm)	Pin Terminal(2×0.5mm)
Switching	No.1	No.1	No.1
Max.Switch Rating	2A/48VDC	2A/48VDC	2A/48VDC
Contact Resistance	≤50mΩ	≤50mΩ	≤50mΩ
Insulation Resistance	≥1000MΩ	≥1000MΩ	≥1000MΩ
Dielectric Strength	2000VAC	2000VAC	2000VAC
Operation Temp.	-20°C ~ +70°C	-20°C ~ +70°C	-20°C ~ +70°C
Mechanical Life	1,000,000cycles	1,000,000cycles	1,000,000cycles
Electrical Life	200,000cycles	200,000cycles	200,000cycles
Contact Material	Silver Alloy	Silver Alloy	Silver Alloy
Panel Thickness	1 ~ 6mm	1 ~ 6mm	1 ~ 6mm
Torque	5 ~ 14Nm	5 ~ 14Nm	5 ~ 14Nm
Operation Pressure	5.5N	5.5N	5.5N
IP Degree	IP65	IP65	IP65
Material	Button	Stainless Steel/Brass(Nikel Plated,Gold Plated)	Stainless Steel/Brass(Nikel Plated,Gold Plated)
	Body	Stainless Steel/Brass(Nikel Plated,Gold Plated)	Stainless Steel/Brass(Nikel Plated,Gold Plated)
	Base	PBT	PBT
RoHS	Made to order	Made to order	Made to order

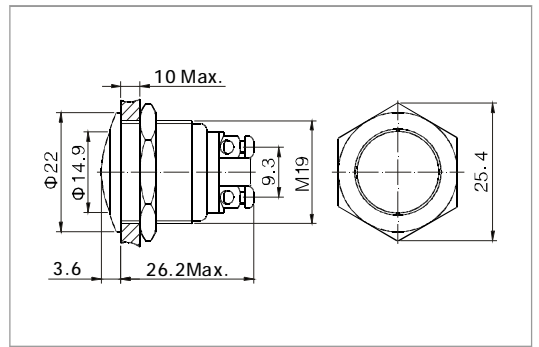
ANTI-VANDAL PUSHBUTTONS

PUSH BUTTON SWITCH



GQ19-B

- ⊙ Φ 19mm diameter
- ⊙ 2A/48VDC
- ⊙ 1NO
- ⊙ The Front Shape:Domed
- ⊙ The crust material:Stainless Steel/
Brass(Nikel Plated,Gold Plated)
- ⊙ IP Degree:IP65

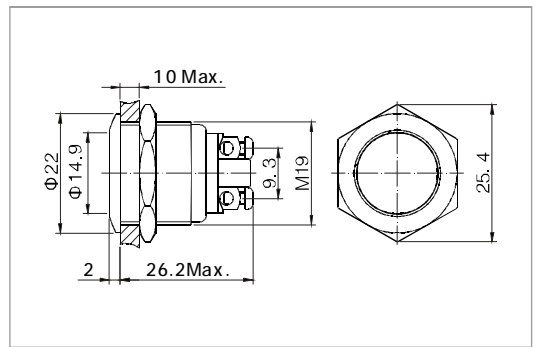


PUSH BUTTON SWITCH



GQ19-F

- ⊙ Φ 19mm diameter
- ⊙ 2A/48VDC
- ⊙ 1NO
- ⊙ The Front Shape:Flat Round
- ⊙ The crust material:Stainless Steel/
Brass(Nikel Plated,Gold Plated)
- ⊙ IP Degree:IP65

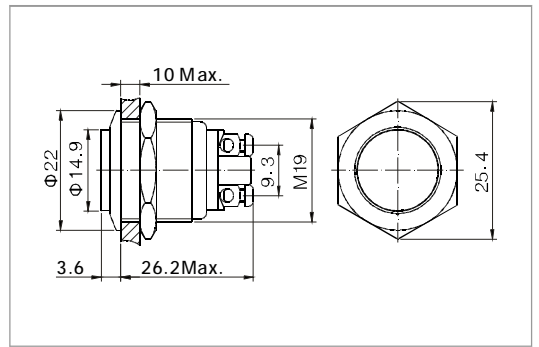


PUSH BUTTON SWITCH



GQ19-H

- ⊙ Φ 19mm diameter
- ⊙ 2A/48VDC
- ⊙ 1NO
- ⊙ The Front Shape:High Round
- ⊙ The crust material:Stainless Steel/
Brass(Nikel Plated,Gold Plated)
- ⊙ IP Degree:IP65



Specification	GQ19-B	GQ19-F	GQ19-H
The Front Shape	Domed	Flat Round	High Round
Terminal Type	Screw Terminals	Screw Terminals	Screw Terminals
Switching	No.1	No.1	No.1
Max.Switch Rating	2A/48VDC	2A/48VDC	2A/48VDC
Contact Resistance	$\leq 50m\Omega$	$\leq 50m\Omega$	$\leq 50m\Omega$
Insulation Resistance	$\geq 1000M\Omega$	$\geq 1000M\Omega$	$\geq 1000M\Omega$
Dielectric Strength	2000VAC	2000VAC	2000VAC
Operation Temp.	-20°C ~ +70°C	-20°C ~ +70°C	- 20°C ~ + 70°C
Mechanical Life	1,000,000cycles	1,000,000cycles	1,000,000cycles
Electrical Life	200,000cycles	200,000cycles	200,000cycles
Contact Material	Silver Alloy	Silver Alloy	Silver Alloy
Panel Thickness	1 ~ 8mm	1 ~ 8mm	1 ~ 8mm
Torque	5 ~ 14Nm	5 ~ 14Nm	5 ~ 14Nm
Operation Pressure	5.5N	5.5N	5.5N
IP Degree	IP65	IP65	IP65
Material	Button	Stainless Steel/Brass(Nikel Plated,Gold Plated)	Stainless Steel/Brass(Nikel Plated,Gold Plated)
	Body	Stainless Steel/Brass(Nikel Plated,Gold Plated)	Stainless Steel/Brass(Nikel Plated,Gold Plated)
	Base	PBT	PBT
RoHS	Made to order	Made to order	Made to order