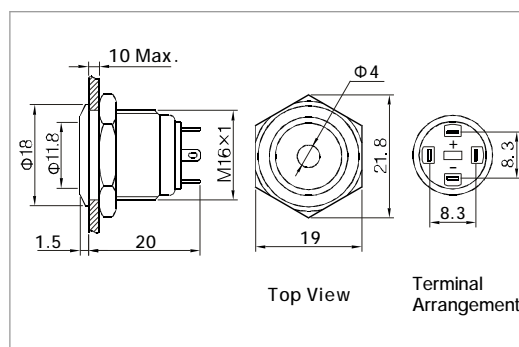


Check the detail part number from P1

Anti-vandal dot illuminated push button



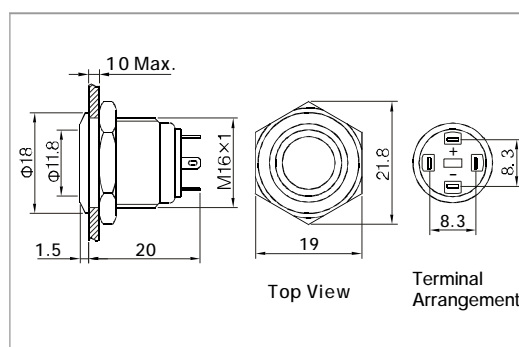
- ◎ Φ 16mm diameter
- ◎ Switch Rating: 2A/36VDC
- ◎ Contact Configuration: 1NO
- ◎ Operation Type: Momentary
- ◎ The crust material: Stainless Steel/
Nickel Plate Brass
- ◎ IP Degree: Ip65



Anti-vandal ring illuminated push button



- ◎ Φ 16mm diameter
- ◎ Switch Rating: 2A/36VDC
- ◎ Contact Configuration: 1NO
- ◎ Operation Type: Momentary
- ◎ The crust material: Stainless Steel/
Nickel Plate Brass
- ◎ Ring Illuminated
- ◎ IP Degree: IP65



Specification	GQ16F - 10D/J/Δ/▲/◎		GQ16F - 10E/J/Δ/▲/◎				
The Fornt Shape	Flat Round		Flat Round				
Terminal Type	Pin Terminal(2×0.5mm)		Pin Terminal(2×0.5mm)				
Switching	No.1		No.1				
Max.Switch Rating	2A/36VDC		2A/36VDC				
Contact Resistance	≤50mΩ		≤50mΩ				
Insulation Resistance	≥1000MΩ		≥1000MΩ				
Dielectric Intensity	2000VAC		2000VAC				
Operating Temp	-20℃ ~ +55℃		-20℃ ~ +55℃				
Mechanical life	1,000,000cycles		1,000,000cycles				
Electrical life	200,000 cycles		200,000 cycles				
Panel Thickness	1 ~ 10mm		1 ~ 10mm				
Torque	5 ~ 14Nm		5 ~ 14Nm				
Operation Pressure	About 4N		About 4N				
Operation Distance	About 1.5mm		About 1.5mm				
IP Degree	IP65		IP65				
Material	Contact	Silver Alloy		Silver Alloy			
	Button	Stainless Steel/Nickel Plated Brass		Stainless Steel/Nickel Plated Brass			
	Body	Stainless Steel/Nickel Plated Brass		Stainless Steel/Nickel Plated Brass			
	Base	PBT		PBT			
	RoHS	Made to order		Made to order			
LED Spec.	Type	Dot Illuminated(LED)		Ring Illuminated(LED)			
	Color	R Y O	G B W	R Y O	G B W		
	Rated Voltage(Ue)	AC/DC 1.7V	AC/DC 2.8V	AC/DC 1.7V	AC/DC 2.8V		
	Rated Current(Ie)	20mA		20mA			
	Life	40000 hours		40000 hours			
Current-Limiting Resistance Configuration Table	Operating Voltage (U)	6V	12V	24V	36V	Formula $R = \frac{U - U_e}{I_e}$	
	Current-Limiting Resistance(R)	R Y O	210Ω, 1/4W	510Ω, 1/2W	1.2kΩ, 3/4W		2.2KΩ, 1W
		G B W	160Ω, 1/4W	460Ω, 1/2W	1.2KΩ, 3/4W		2.2KΩ, 1W