

# TECHNICAL DESCRIPTION

## Implication of Type

LAS2	GQ □	— □□	□	□	/ □	/ □	/ □
Code of Series	GQ means metal crust type. The Front Shape: <b>F</b> flat Round <b>H</b> high Round <b>C</b> concave round <b>G</b> high concave round	Contact structure: <b>11</b> 1NO1NC <b>22</b> 2NO2NC	Code name of derivative products: <b>Z</b> alternate type The momentary type is without letter	Lamp type: <b>D</b> dot <b>R</b> ring No letter means without lamp.	The specific rating of the lamp with Illuminated button is included in the lamp ratings form	The crust material: <b>N</b> nickel-plated brass <b>G</b> gold-plated brass <b>S</b> Stainless Steel	Lamp color: <b>R</b> round <b>G</b> green <b>Y</b> yellow <b>O</b> orange <b>B</b> blue <b>W</b> white

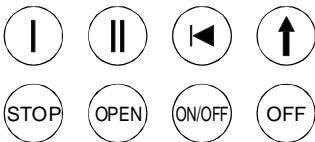
## Lamp Ratings

Lamp Type	LED			
Rated Voltage	AC/DC6V	AC/DC12V	AC/DC24V	
	AC/DC110V		AC/DC220V	
Colours	<b>R</b>	<b>G</b>	<b>Y</b>	<b>O</b> <b>B</b> <b>W</b>
Life	About 40,000 hours			

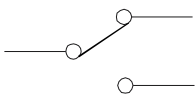
Note: There are protective resistor in the lamp, special voltage rate can be made to order.

## Engraving Options

- Special type can be made to order.
- Examples



## Switching Operation



NO.3

## Purchasing Notice

- Please write ONPOW code after check the Implication of Type and the detailed specification in the catalog..
- Please place an order over 1,000pcs if the products need to be made to order.
- All IP Degree listed in our forms can seal front of panel only.

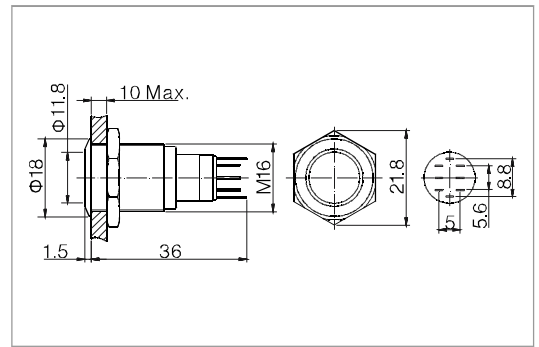
## Soldering information

- Handiwork soldering: Soldering iron 30W or under at 230°C for 3 sec max.

## PUSHBUTTONS



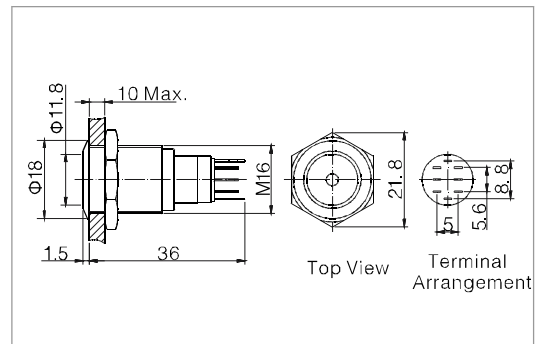
- ⊙  $\Phi$  16mm diameter
- ⊙ 3A, 250VAC
- ⊙ 1NO1NC/2NO2NC
- ⊙ The Front Shape: Flat Round
- ⊙ IP Degree: IP40/IP67
- ⊙ The crust material: Stainless Steel/  
Brass(Nikel Plated, Gold Plated)



## DOT ILLUMINATED PUSHBUTTON



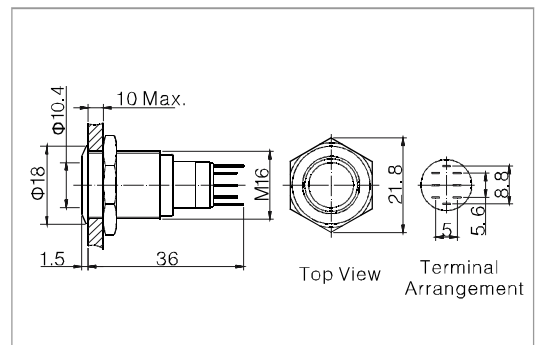
- ⊙  $\Phi$  16mm diameter
- ⊙ 3A, 250VAC
- ⊙ 1NO1NC/2NO2NC
- ⊙ The Front Shape: Flat Round
- ⊙ Dot Illuminated
- ⊙ IP Degree: IP40/IP67
- ⊙ The crust material: Stainless Steel/  
Brass(Nikel Plated, Gold Plated)



## RING ILLUMINATED PUSHBUTTON



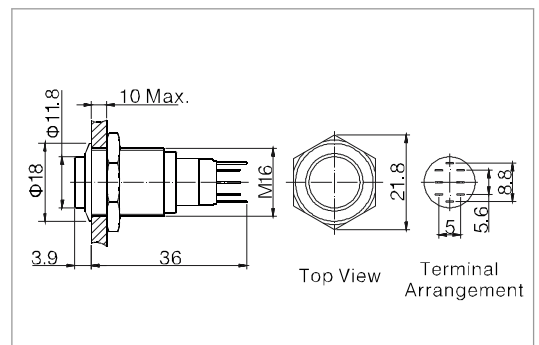
- ⊙  $\Phi$  16mm diameter
- ⊙ 3A, 250VAC
- ⊙ 1NO1NC/2NO2NC
- ⊙ The Front Shape: Flat Round
- ⊙ Ring Illuminated
- ⊙ IP Degree: IP40/IP67
- ⊙ The crust material: Stainless Steel/  
Brass(Nikel Plated, Gold Plated)



## PUSHBUTTONS



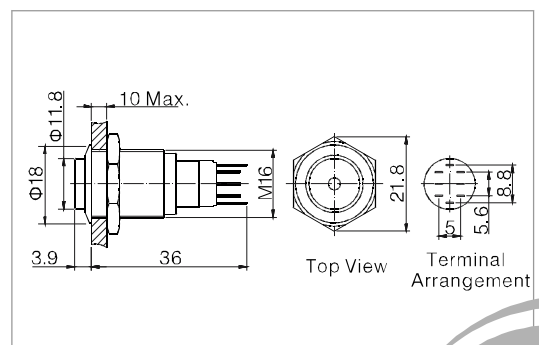
- ⊙  $\Phi$  16mm diameter
- ⊙ 3A, 250VAC
- ⊙ 1NO1NC/2NO2NC
- ⊙ The Front Shape: High Round
- ⊙ IP Degree: IP40/IP67
- ⊙ The crust material: Stainless Steel/  
Brass(Nikel Plated, Gold Plated)



## DOT ILLUMINATED PUSHBUTTON



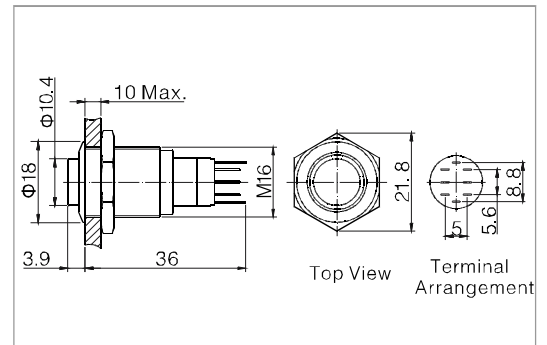
- ⊙  $\Phi$  16mm diameter
- ⊙ 3A, 250VAC
- ⊙ 1NO1NC/2NO2NC
- ⊙ The Front Shape: High Round
- ⊙ Dot Illuminated
- ⊙ IP Degree: IP40/IP67
- ⊙ The crust material: Stainless Steel/  
Brass(Nikel Plated, Gold Plated)



## RING ILLUMINATED PUSHBUTTON



- ⊙  $\Phi$  16mm diameter
- ⊙ 3A, 250VAC
- ⊙ 1NO1NC/2NO2NC
- ⊙ The Front Shape: High Round
- ⊙ Ring Illuminated
- ⊙ IP Degree: IP40/IP67
- ⊙ The crust material: Stainless Steel/  
Brass(Nikel Plated, Gold Plated)



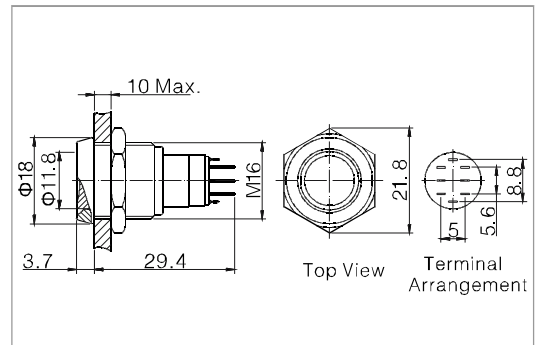
Specification	LAS2GQF LAS2GQH	LAS2GQF-□□□D LAS2GQH-□□□D	LAS2GQF-□□□R LAS2GQH-□□□R
The Front Shape	Flat Round High Round	Flat Round High Round	Flat Round High Round
Terminations	Soldering(Pin Terminal)	Soldering(Pin Terminal)	Soldering(Pin Terminal)
Switching	NO.3	NO.3	NO.3
Max. Switch Rating	3A/250VAC	3A/250VAC	3A/250VAC
Contact Resistance	$\leq 50m\Omega$	$\leq 50m\Omega$	$\leq 50m\Omega$
Insulation Resistance	$\geq 1000M\Omega$	$\geq 1000M\Omega$	$\geq 1000M\Omega$
Dielectric Strength	2000VAC	2000VAC	2000VAC
Operating Temp.	- 20°C ~ + 70°C	- 20°C ~ + 70°C	- 20°C ~ + 70°C
Mechanical life	1,000,000 cycles	1,000,000 cycles	1,000,000 cycles
Electrical life	50,000 cycles	50,000 cycles	50,000 cycles
Contact material	Silver Alloy	Silver Alloy	Silver Alloy
Panel Thickness	1 ~ 10mm	1 ~ 10mm	1 ~ 10mm
Torque	5 ~ 14Nm	5 ~ 14Nm	5 ~ 14Nm
Operation Pressure	5.5N	5.5N	5.5N
IP Degree	IP40/IP67	IP40/IP67	IP40/IP67
Material	Button	Stainless Steel/Brass(Nikel Plated, Gold Plated)	Stainless Steel/Brass(Nikel Plated, Gold Plated)
	Body	Stainless Steel/Brass(Nikel Plated, Gold Plated)	Stainless Steel/Brass(Nikel Plated, Gold Plated)
	Base	PBT	PBT
	RoHS	Made to order	Made to order
LED Spec.	Type	Without lamp	Dot Illuminated(LED)
	Rated Voltage	---	6V / 12V / 24V / 110V / 220V
	Color	---	<span style="color: red;">R</span> <span style="color: green;">G</span> <span style="color: yellow;">Y</span> <span style="color: orange;">O</span> <span style="color: blue;">B</span> <span style="border: 1px solid black; padding: 0 2px;">W</span>
	Life	---	40,000 hours

# ANTI-VANDAL PUSHBUTTONS

## PUSHBUTTONS



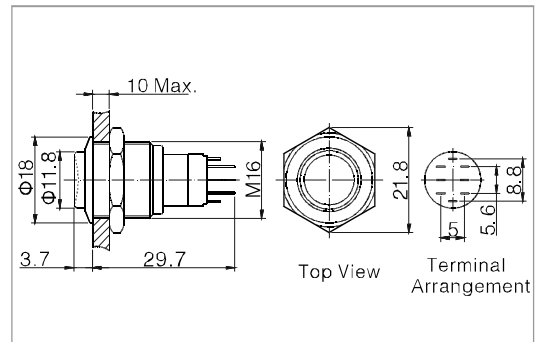
- ⊙  $\Phi$  16mm diameter
- ⊙ 3A, 250VAC
- ⊙ 1NO1NC/2NO2NC
- ⊙ The Front Shape: concave round
- ⊙ IP Degree: IP67
- ⊙ The crust material: Stainless Steel/  
Brass(Nikel Plated, Gold Plated)



## PUSHBUTTONS



- ⊙  $\Phi$  16mm diameter
- ⊙ 3A, 250VAC
- ⊙ 1NO1NC/2NO2NC
- ⊙ The Front Shape: high concave round
- ⊙ IP Degree: IP67
- ⊙ The crust material: Stainless Steel/  
Brass(Nikel Plated, Gold Plated)



Specification	LAS2GQC	LAS2GQG
The Front Shape	Concave Round	High Concave Round
Terminations	Soldering(Pin Terminal)	Soldering(Pin Terminal)
Switching	NO.3	NO.3
Max. Switch Rating	3A/250VAC	3A/250VAC
Contact Resistance	$\leq 50m\Omega$	$\leq 50m\Omega$
Insulation Resistance	$\geq 1000M\Omega$	$\geq 1000M\Omega$
Dielectric Strength	2000VAC	2000VAC
Operating Temp.	- 20°C ~ + 70°C	- 20°C ~ + 70°C
Mechanical life	1,000,000 cycles	1,000,000 cycles
Electrical life	50,000 cycles	50,000 cycles
Contact material	Silver Alloy	Silver Alloy
Panel Thickness	1 ~ 10mm	1 ~ 10mm
Torque	5 ~ 14Nm	5 ~ 14Nm
Operation Pressure	5.5N	5.5N
IP Degree	IP67	IP67
Material	Button	Stainless Steel/Brass(Nikel Plated, Gold Plated)
	Body	Stainless Steel/Brass(Nikel Plated, Gold Plated)
	Base	PBT
RoHS	Made to order	Made to order