

Features:

- High Luminous Super Flux Output
- 5 ° Standard Directivity
- Long Lifetime Operation
- Superior Weather-resistance
- UV Resistant Epoxy
- Water Clear Type

Applications

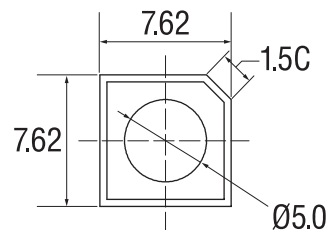
- Automotive Dashboard Lighting
- Small Area Illuminations
- Back Lighting
- Other Lighting

Absolute maximum rating (Ta=25°C)

Item	Symbol	Value	Unit
DC forward current	I_F	30	mA
Pulse forward current*	I_{FP}	100	mA
Reverse voltage	V_R	15	V
Power dissipation	P_D	324	mW
Operating temperature	T_{opr}	-30 to +85	°C
Storage temperature	T_{stg}	-40 to +100	°C
Lead soldering temperature	T_{sol}	260°C/5sec	-

*Pulse width max. 10ms. Duty ratio max. 1/10

Outline dimensions:



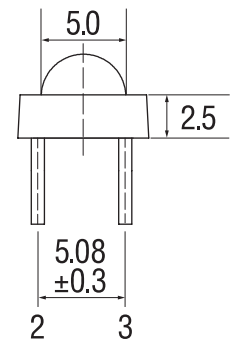
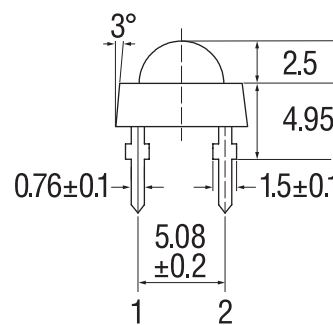
1, 4 → → → 2, 3

Unit: mm

Tolerance: ±0.20mm
unless otherwise stated

1, 4: Anode

2, 3: Cathode



Electrical - Optical characteristics (Ta=25°C)

Item	Symbol	Condition	Min.	Typ.	Max.	Unit
DC forward voltage	V_F	$I_F = 20\text{mA}$	8.4	9.3	10.8	V
DC reverse current	I_R	$V_R = 15\text{V}$	-	-	10	μA
Luminous intensity*	I_V	$I_F = 20\text{mA}$	12000	14000	-	mcd
Chromaticity coordinates*	x	$I_F = 20\text{mA}$	-	0.27	-	
	y	$I_F = 20\text{mA}$	-	0.28	-	
50% Power angle	$2\theta_{1/2}$	$I_F = 20\text{mA}$	-	120	-	deg

*1 Tolerance of measurements of chromaticity coordinate is +10%

*2 Tolerance of measurements of Luminous Flux is +15%

*3 Tolerance of measurements of forward voltage is +0.1V

Directivity:

