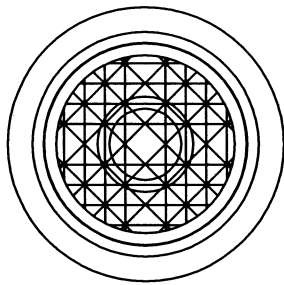
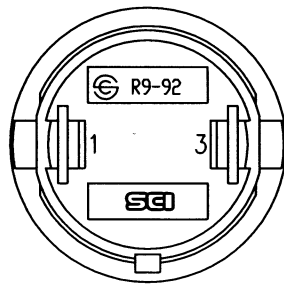
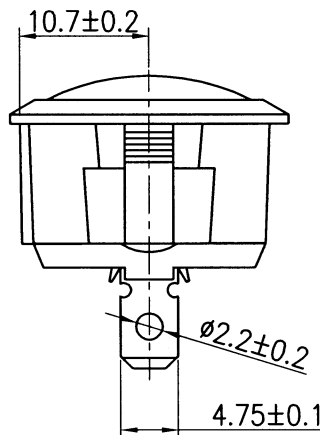
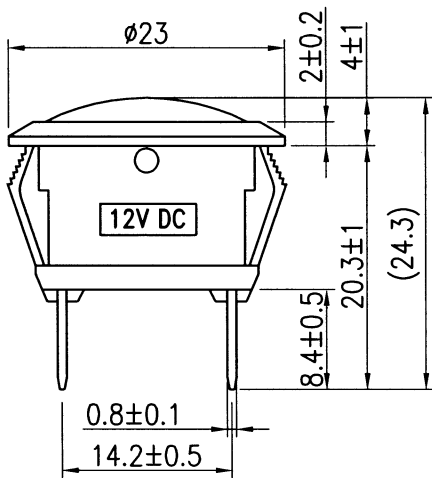


Rating	12V DC		
Insulation Resistance	DC 500V 100M ohm Min.		
Dielectric Strength	AC 1500V 1 minute		
Operation Temperature	-20°C~80°C		



Material:
 Frame: Nylon 66, Black
 Lens: PC, Red



Tolerances Unless Otherwise Specified ±0.3

									△
									△
Date	Name	Description						No.	
Drawn	Checked	Approved	SCI BOM No.	1730063	Model Name	Indicator			
雷云飞			Customer No.		Model No.	R9-92B-02			Rev.
01/04/12	2/3-12	2/7-12	Unit	mm					X0