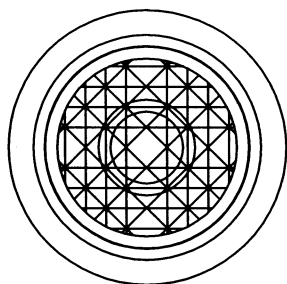
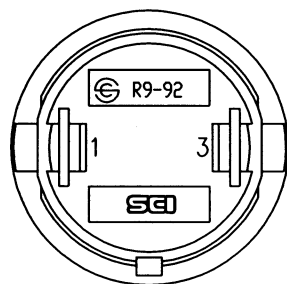
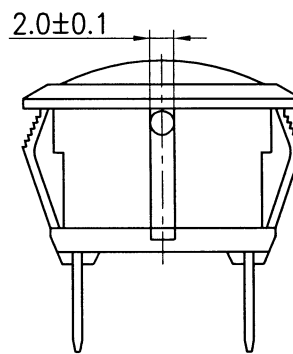
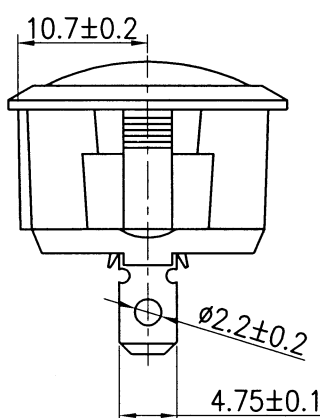
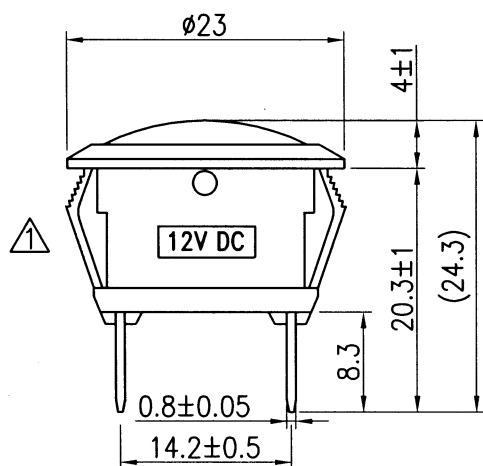


Rating	12V DC		
Insulation Resistance	DC 500V 100M ohm Min.		
Dielectric Strength	AC 1500V 1 minute		
Operation Temperature	-20°C~80°C		



Material:
 Frame: Nylon 66, Black
 Lens: PC, Green



Tolerances Unless Otherwise Specified ±0.3

							△
02/07/12	雷云飛	依最新標籤增加DC字樣.				△	
Date	Name	Description				No.	
Drawn	Checked	Approved	SCI BOM No.	1730066	Model Name	Indicator	
雷云飛			Customer No.		Model No.	R9-92B-02	Rev.
02/07/12	2/7-12	2/8-12	Unit	mm			X1