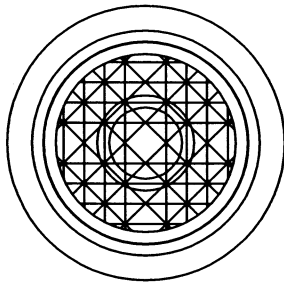
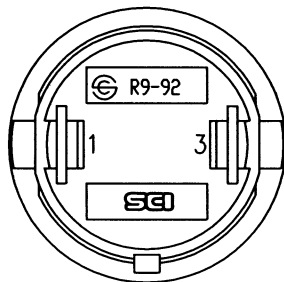
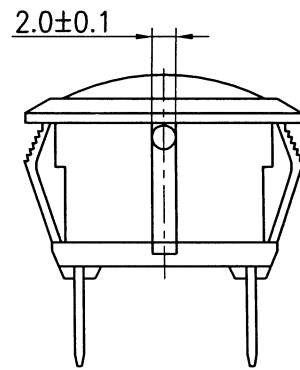
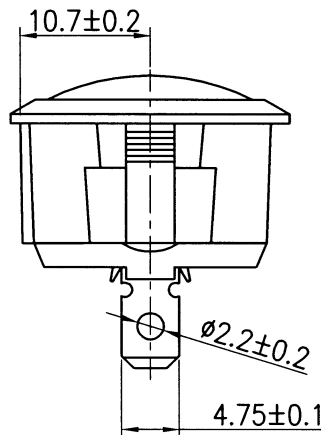
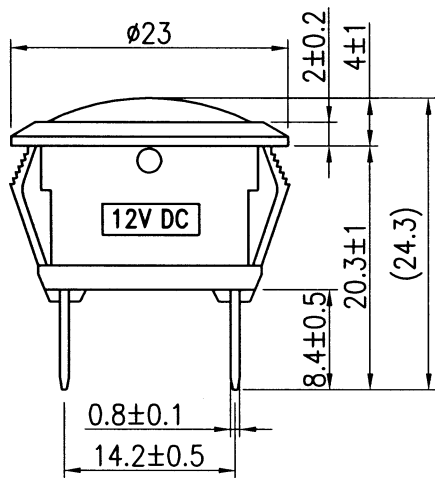


Rating	12V DC		
Insulation Resistance	DC 500V 100M ohm Min.		
Dielectric Strength	AC 1500V 1 minute		
Operation Temperature	-20°C~80°C		



Material:
 Frame: Nylon 66, Black
 Lens: PC, Blue



Tolerances Unless Otherwise Specified ±0.3

								△
								△
Date	Name	Description					No.	
Drawn	Checked	Approved	SCI BOM No.		Model Name	Indicator		
雷云飞			Customer No.		Model No.	R9-92B-02		Rev.
01/04/12	2/7-12	2/8-12	Unit	mm				X0