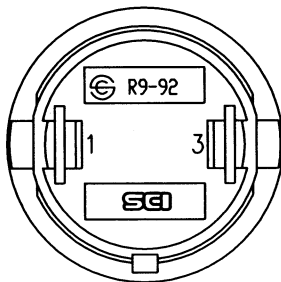
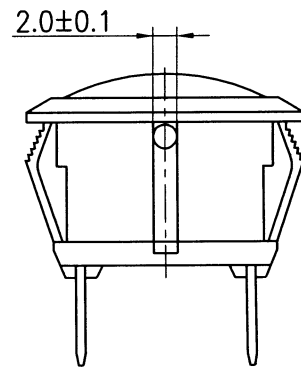
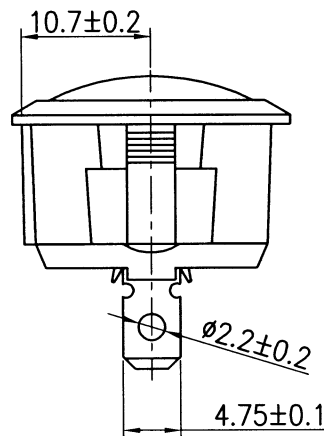
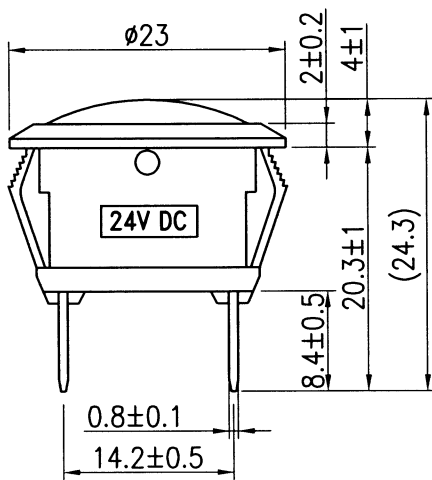
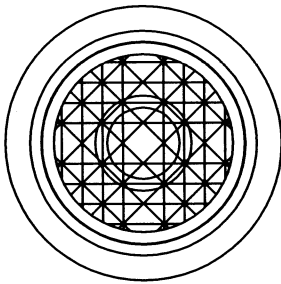


Rating	24V DC		
Insulation Resistance	DC 500V 100M ohm Min.		
Dielectric Strength	AC 1500V 1 minute		
Operation Temperature	-20°C~80°C		

Material:

Frame: Nylon 66, Black

Lens: PC, Red



Tolerances Unless Otherwise Specified ±0.3

									△
									△
Date	Name	Description						No.	
Drawn	Checked	Approved	SCI BOM No.	1730094	Model Name	Indicator			
雷云飛			Customer No.		Model No.	R9-92B-02		Rev.	X0
01/04/12	2/7-12	2/8-12	Unit	mm					