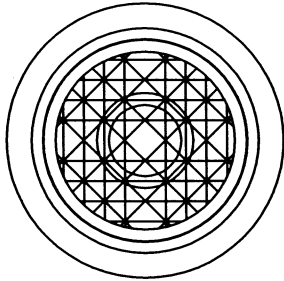
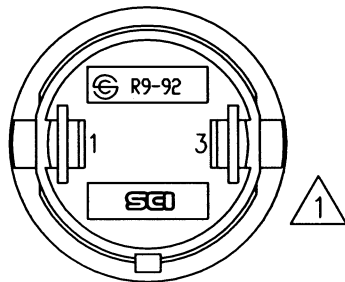
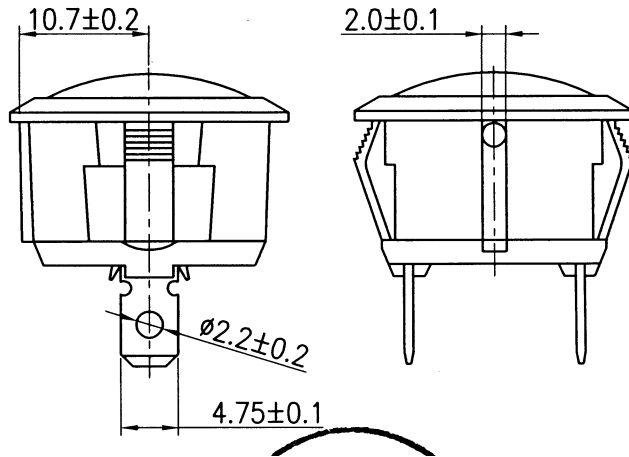
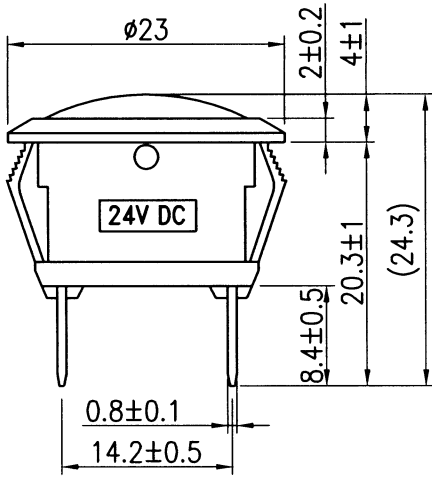


Rating	24V DC		
Insulation Resistance	DC 500V 100M ohm Min.		
Dielectric Strength	AC 1500V 1 minute		
Operation Temperature	-20°C~80°C		



Material:
 Frame: Nylon 66, Black
 Lens: PC, Green



Tolerances Unless Otherwise Specified ±0.3

							△	
02/07/12	雷云飛	Add SCI logo: 和依最新標籤最加DC字樣.						△
Date	Name	Description						No.
Drawn	Checked	Approved	SCI BOM No.	1730096	Model Name	Indicator		
雷云飛			Customer No.		Model No.	R9-92B-02	Rev.	
01/04/12	2/7-12	2/8-12	Unit	mm			X1	