

Ring Tongue Terminals (Continued)

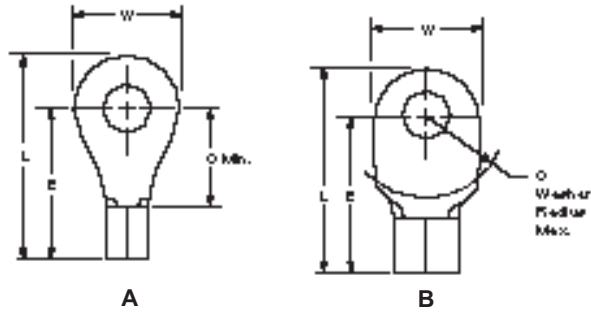
Wire Size Range

**AWG 16 to 10,
CMA 2,050 to 13,100
[1.04 to 6.64 mm²]**

Material

Terminal Body — Copper per
ASTM B-152

Plating — Tin per MIL-T-10727



Wire Size Circular Mills [mm ²]	Stud Size	Style	Dimensions				Material Thickness Max.	Wire Barrel I.D. Min.		Part Numbers	
			L Max.	E Max.	C	W		Solistrand	Budget	Solistrand	Budget
16-14 2,050-5,180 [1.04-2.62]	1/4 M6	A	.855	.618	.437	.469	.033	.085	.089	34124*	31164
			21.72	15.70	11.10	11.91	0.84	2.16	2.26	2-34124-1	
	5/16 M8	A	.855	.618	.437	.469	.033	.085	.089	34125*	31165
			21.72	15.70	11.10	11.91	0.84	2.16	2.26	2-34125-6	
	3/8	A	.995	.727	.546	.531	.033	.085	.089	34126*	31499
			25.27	18.47	13.87	13.49	0.84	2.16	2.26	2-34126-2	
1/2 M12	A	1.070	.711	.530	.713	.033	—	.089	—	328971	
		27.18	18.06	13.46	18.11	0.84	—	2.26	—		
14-12 3,260-8,230 [1.65-4.17]	8 M4	B	.685	.526	.250	.312	.042	.098	—	321827	—
			17.40	13.36	6.35	7.92	1.07	2.49	—	—	
	10	B	.739	.526	.250	.421	.042	.098	—	34484	—
			18.77	13.36	6.35	10.69	1.07	2.49	—	1-34484-0	
	1/4 M6	B	.685	.526	.250	.312	.042	.098	—	321828	—
			17.40	13.36	6.35	7.92	1.07	2.49	—	1-321828-0	
3/8	B	.739	.526	.250	.421	.042	.098	—	34487	—	
		18.77	13.36	6.35	10.69	1.07	2.49	—	—		
12-10 5,180-13,100 [2.62-6.64]	4	A	.630	.487	.219	.281	.042	.129	.134	322447	34891
			16.00	12.37	5.56	7.14	1.07	3.28	3.40	—	
	6 M3.5	A	.630	.487	.219	.281	.042	.129	.134	35476*	34892
			16.00	12.37	5.56	7.14	1.07	3.28	3.40	2-35476-1	
	A	.729	.570	.302	.312	.042	.129	.134	324911	324910	
		18.52	14.48	7.67	7.92	1.07	3.28	3.40	—		
	A	.765	.575	.302	.375	.042	.129	.134	33456	31112	
		19.43	14.61	7.67	9.53	1.07	3.28	3.40	2-33456-1		
	8 M4	A	.708	.549	.281	.312	.042	.129	.134	322454*	34404*
			17.98	13.94	7.14	7.92	1.07	3.28	3.40	—	
	A	.765	.575	.302	.375	.042	.129	.134	32994*	31113	
		19.43	14.61	7.67	9.53	1.07	3.28	3.40	2-32994-1		
	A	.723	.549	.281	.343	.042	.129	.134	322455	32882	
		18.36	13.94	7.14	8.71	1.07	3.28	3.40	2-322455-1		
	A	.765	.575	.302	.375	.042	.129	.134	33457*	31114*	
		19.43	14.61	7.67	9.53	1.07	3.28	3.40	2-33457-2		
	10	A	.808	.618	.343	.375	.042	.129	.134	31805	321829
			20.52	15.70	8.71	9.53	1.07	3.28	3.40	—	
	A	.865	.612	.344	.500	.042	.129	.134	35771*	34964	
		21.97	15.54	8.74	12.70	1.07	3.28	3.40	2-35771-1		
	A	1.004	.736	.468	.531	.042	.129	.134	36451	31120	
		25.50	18.69	11.89	13.49	1.07	3.28	3.40	—		
	1/4 M6	A	.865	.612	.344	.500	.042	.129	.134	35772*	34965
			21.97	15.54	8.74	12.70	1.07	3.28	3.40	2-35772-1	
A	1.004	.736	.468	.531	.042	.129	.134	33458*	31122*		
	25.50	18.69	11.89	13.49	1.07	3.28	3.40	2-33458-3			
5/16 M8	A	.865	.612	.344	.500	.042	—	.134	—	34966	
		21.97	15.54	8.74	12.70	1.07	—	3.40	—		
A	1.004	.736	.468	.531	.042	.129	.134	33459*	31123		
	25.50	18.69	11.89	13.49	1.07	3.28	3.40	2-33459-6			

Note: Part numbers are shown as loose piece over tape mounted product.

*Part numbers are available in small quantity packages.