

Ring Tongue Terminals (Continued)

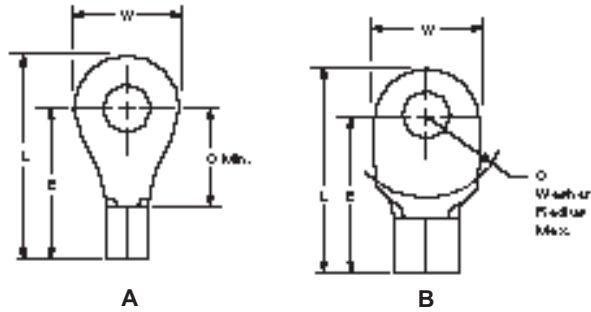
Wire Size Range

**AWG 16 to 10,
CMA 2,050 to 13,100
[1.04 to 6.64 mm²]**

Material

Terminal Body — Copper per
ASTM B-152

Plating — Tin per MIL-T-10727



| Wire Size Circular Mills [mm ²] | Stud Size | Style | Dimensions | | | | Material Thickness Max. | Wire Barrel I.D. Min. | | Part Numbers | |
|---|--------------|-------|------------|-----------|-------|-------|-------------------------------|-----------------------|------------|--------------|--------|
| | | | L Max. | E Max. | C | W | | Solistrand | Budget | Solistrand | Budget |
| 16-14 2,050-5,180 [1.04-2.62] | 1/4 M6 | A | .855 | .618 | .437 | .469 | .033 | .085 | .089 | 34124* | 31164 |
| | | | 21.72 | 15.70 | 11.10 | 11.91 | 0.84 | 2.16 | 2.26 | 2-34124-1 | |
| | 5/16 M8 | A | .855 | .618 | .437 | .469 | .033 | .085 | .089 | 34125* | 31165 |
| | | | 21.72 | 15.70 | 11.10 | 11.91 | 0.84 | 2.16 | 2.26 | 2-34125-6 | |
| | 3/8 | A | .995 | .727 | .546 | .531 | .033 | .085 | .089 | 34126* | 31499 |
| | | | 25.27 | 18.47 | 13.87 | 13.49 | 0.84 | 2.16 | 2.26 | 2-34126-2 | |
| 1/2 M12 | A | 1.070 | .711 | .530 | .713 | .033 | — | .089 | — | 328971 | |
| | | 27.18 | 18.06 | 13.46 | 18.11 | 0.84 | — | 2.26 | — | | |
| 14-12 3,260-8,230 [1.65-4.17] | 8 M4 | B | .685 | .526 | .250 | .312 | .042 | .098 | — | 321827 | — |
| | | | 17.40 | 13.36 | 6.35 | 7.92 | 1.07 | 2.49 | — | — | |
| | 10 | B | .739 | .526 | .250 | .421 | .042 | .098 | — | 34484 | — |
| | | | 18.77 | 13.36 | 6.35 | 10.69 | 1.07 | 2.49 | — | 1-34484-0 | |
| | 1/4 M6 | B | .685 | .526 | .250 | .312 | .042 | .098 | — | 321828 | — |
| | | | 17.40 | 13.36 | 6.35 | 7.92 | 1.07 | 2.49 | — | 1-321828-0 | |
| 3/8 | B | .739 | .526 | .250 | .421 | .042 | .098 | — | 34487 | — | |
| | | 18.77 | 13.36 | 6.35 | 10.69 | 1.07 | 2.49 | — | — | | |
| 12-10 5,180-13,100 [2.62-6.64] | 4 | A | .630 | .487 | .219 | .281 | .042 | .129 | .134 | 322447 | 34891 |
| | | | 16.00 | 12.37 | 5.56 | 7.14 | 1.07 | 3.28 | 3.40 | — | |
| | 6 M3.5 | A | .630 | .487 | .219 | .281 | .042 | .129 | .134 | 35476* | 34892 |
| | | | 16.00 | 12.37 | 5.56 | 7.14 | 1.07 | 3.28 | 3.40 | 2-35476-1 | |
| | A | .729 | .570 | .302 | .312 | .042 | .129 | .134 | 324911 | 324910 | |
| | | 18.52 | 14.48 | 7.67 | 7.92 | 1.07 | 3.28 | 3.40 | — | | |
| | A | .765 | .575 | .302 | .375 | .042 | .129 | .134 | 33456 | 31112 | |
| | | 19.43 | 14.61 | 7.67 | 9.53 | 1.07 | 3.28 | 3.40 | 2-33456-1 | | |
| | 8 M4 | A | .708 | .549 | .281 | .312 | .042 | .129 | .134 | 322454* | 34404* |
| | | | 17.98 | 13.94 | 7.14 | 7.92 | 1.07 | 3.28 | 3.40 | — | |
| | A | .765 | .575 | .302 | .375 | .042 | .129 | .134 | 32994* | 31113 | |
| | | 19.43 | 14.61 | 7.67 | 9.53 | 1.07 | 3.28 | 3.40 | 2-32994-1 | | |
| | A | .723 | .549 | .281 | .343 | .042 | .129 | .134 | 322455 | 32882 | |
| | | 18.36 | 13.94 | 7.14 | 8.71 | 1.07 | 3.28 | 3.40 | 2-322455-1 | | |
| | A | .765 | .575 | .302 | .375 | .042 | .129 | .134 | 33457* | 31114* | |
| | | 19.43 | 14.61 | 7.67 | 9.53 | 1.07 | 3.28 | 3.40 | 2-33457-2 | | |
| | 10 | A | .808 | .618 | .343 | .375 | .042 | .129 | .134 | 31805 | 321829 |
| | | | 20.52 | 15.70 | 8.71 | 9.53 | 1.07 | 3.28 | 3.40 | — | |
| | A | .865 | .612 | .344 | .500 | .042 | .129 | .134 | 35771* | 34964 | |
| | | 21.97 | 15.54 | 8.74 | 12.70 | 1.07 | 3.28 | 3.40 | 2-35771-1 | | |
| | A | 1.004 | .736 | .468 | .531 | .042 | .129 | .134 | 36451 | 31120 | |
| | | 25.50 | 18.69 | 11.89 | 13.49 | 1.07 | 3.28 | 3.40 | — | | |
| | 1/4 M6 | A | .865 | .612 | .344 | .500 | .042 | .129 | .134 | 35772* | 34965 |
| | | | 21.97 | 15.54 | 8.74 | 12.70 | 1.07 | 3.28 | 3.40 | 2-35772-1 | |
| A | 1.004 | .736 | .468 | .531 | .042 | .129 | .134 | 33458* | 31122* | | |
| | 25.50 | 18.69 | 11.89 | 13.49 | 1.07 | 3.28 | 3.40 | 2-33458-3 | | | |
| 5/16 M8 | A | .865 | .612 | .344 | .500 | .042 | — | .134 | — | 34966 | |
| | | 21.97 | 15.54 | 8.74 | 12.70 | 1.07 | — | 3.40 | — | | |
| A | 1.004 | .736 | .468 | .531 | .042 | .129 | .134 | 33459* | 31123 | | |
| | 25.50 | 18.69 | 11.89 | 13.49 | 1.07 | 3.28 | 3.40 | 2-33459-6 | | | |

Note: Part numbers are shown as loose piece over tape mounted product.

*Part numbers are available in small quantity packages.