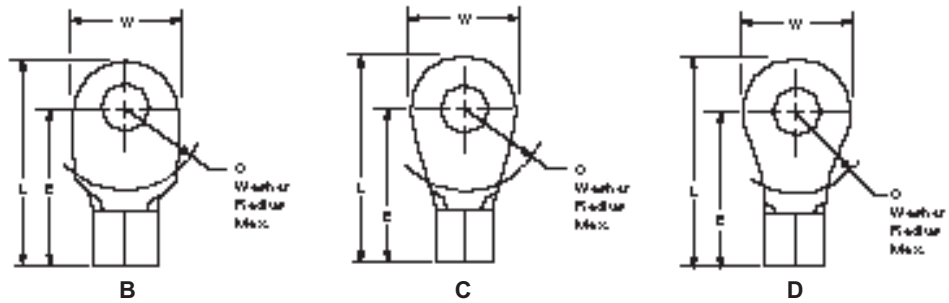


**Ring Tongue Terminals** (Continued)

**Wire Size Range**  
AWG 4 to 1/0,  
CMA 33,100 to 119,500  
[16.8 to 60.6 mm<sup>2</sup>]

**Material**  
**Terminal Body** — Copper per  
ASTM B-152  
**Plating** — Tin per MIL-T-10727



Wire Size Circular Mils [mm <sup>2</sup> ]	Stud Size	Style	Dimensions				Material Thickness Max.	Wire Barrel I.D. Min. Solistrand	Part Numbers Solistrand
			L Max.	E Max.	C	W			
4 33,100–52,600 [16.8–26.7]	7/16	A**	1.314 33.38	.978 24.84	.516 13.11	.656 16.66	.073 1.85	.296 7.52	320743
	1/2 M12	A**	2.090 53.09	1.462 37.13	1.000 25.40	1.250 31.75	.073 1.85	.296 7.52	35668*
		B	1.902 48.31	1.462 37.13	1.000 25.40	.875 22.23	.073 1.85	.296 7.52	327175*
	5/8 M16	A**	2.090 53.09	1.462 37.13	1.000 25.40	1.250 31.75	.073 1.85	.296 7.52	35669
	3/4	A**	2.090 53.09	1.462 37.13	1.000 25.40	1.250 31.75	.073 1.85	.296 7.52	35670
10 1/4 M6 5/16 M8 2 52,600–83,700 [26.7–42.4]	10	B	1.527 38.79	1.212 30.78	.531 13.49	.625 15.88	.073 1.85	.370 9.40	330301
	1/4 M6	B	1.527 38.79	1.212 30.78	.531 13.49	.625 15.88	.073 1.85	.370 9.40	320383*
		D	1.657 42.09	1.212 30.78	.531 13.49	.890 22.61	.073 1.85	.370 9.40	320138
	5/16 M8	D	1.657 42.09	1.212 30.78	.531 13.49	.890 22.61	.073 1.85	.370 9.40	35183
		B	1.527 38.79	1.212 30.78	.531 13.49	.625 15.88	.073 1.85	.370 9.40	322870*
	3/8	B	1.527 38.79	1.212 30.78	.531 13.49	.625 15.88	.073 1.85	.370 9.40	321600*
		D	1.657 42.09	1.212 30.78	.531 13.49	.890 22.61	.073 1.85	.370 9.40	35184
	7/16	D	1.657 42.09	1.212 30.78	.531 13.49	.890 22.61	.073 1.85	.370 9.40	320741
	1/2 M12	D	1.657 42.09	1.212 30.78	.531 13.49	.890 22.61	.073 1.85	.370 9.40	35185*
		D	2.516 63.91	1.888 47.96	1.125 28.58	1.250 31.75	.073 1.85	.370 9.40	323291
5/8 M16	D	2.516 63.91	1.888 47.96	1.125 28.58	1.250 31.75	.073 1.85	.370 9.40	320754	
3/4	D	2.516 63.91	1.888 47.96	1.125 28.58	1.250 31.75	.073 1.85	.370 9.40	320755	
1/0 83,700–119,500 [42.4–60.6]	1/4 M6	C	1.956 49.68	1.529 38.84	.625 15.88	.875 22.23	.073 1.85	.444 11.28	36915
		C	1.925 48.90	1.532 38.91	.625 15.88	.807 20.50	.073 1.85	.444 11.28	321866
	5/16 M8	C	1.956 49.68	1.529 38.84	.625 15.88	.875 22.23	.073 1.85	.444 11.28	36916*
		C	1.925 48.90	1.532 38.91	.625 15.88	.807 20.50	.073 1.85	.444 11.28	321867*
	3/8	C	1.956 49.68	1.529 38.84	.625 15.88	.875 22.23	.073 1.85	.444 11.28	36917*
		C	1.925 48.90	1.532 38.91	.625 15.88	.807 20.50	.073 1.85	.444 11.28	321868
	7/16	C	1.956 49.68	1.529 38.84	.625 15.88	.875 22.23	.073 1.85	.444 11.28	36918

\*Part numbers are available in small quantity packages.  
\*\* See style A art on preceding page.