

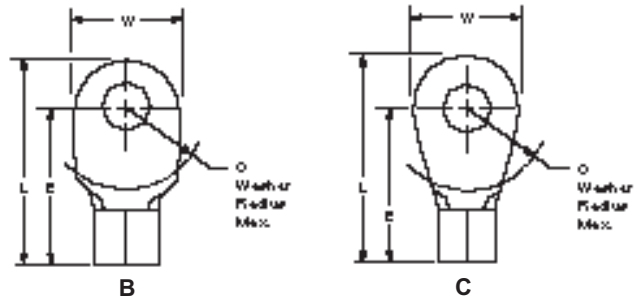
Ring Tongue Terminals (Continued)

Wire Size Range
AWG 1/0 to 3/0,
CMA 83,700 to 190,000
[42.4 to 96.3 mm²]

Material

Terminal Body — Copper per
ASTM B-152

Plating — Tin per MIL-T-10727



Wire Size Circular Mils [mm ²]	Stud Size	Style	Dimensions				Material Thickness Max.	Wire Barrel I.D. Min. Solistrand	Part Numbers Solistrand
			L Max.	E Max.	C	W			
1/0 83,700–119,500 [42.4–60.6]	1/2 M12	C	1.956 49.68	1.529 38.84	.625 15.88	.875 22.23	.073 1.85	.444 11.28	36919*
		C	2.678 68.02	2.063 52.40	1.125 28.58	1.265 32.13	.073 1.85	.444 11.28	322291
	5/8 M16	C	2.678 68.02	2.063 52.40	1.125 28.58	1.265 32.13	.073 1.85	.444 11.28	320744
		C	2.678 68.02	2.063 52.40	1.125 28.58	1.265 32.13	.073 1.85	.444 11.28	320748
2/0 119,500–150,500 [60.6–76.3]	1/4 M6	C	1.930 49.02	1.550 39.37	.625 15.88	.926 23.52	.083 2.11	.504 12.80	321869
		C	2.000 50.80	1.545 39.24	.625 15.88	.946 24.03	.083 2.11	.504 12.80	36921
	5/16 M8	C	1.930 49.02	1.550 39.37	.625 15.88	.926 23.52	.083 2.11	.504 12.80	321870*
		C	2.000 50.80	1.545 39.24	.625 15.88	.946 24.03	.083 2.11	.504 12.80	36922
	3/8	C	1.930 49.02	1.550 39.37	.625 15.88	.926 23.52	.083 2.11	.504 12.80	321871*
		C	2.000 50.80	1.545 39.24	.625 15.88	.946 24.03	.083 2.11	.504 12.80	36923*
	7/16	C	1.930 49.02	1.550 39.37	.625 15.88	.926 23.52	.083 2.11	.504 12.80	321872
		C	1.930 49.02	1.550 39.37	.625 15.88	.926 23.52	.083 2.11	.504 12.80	321873*
	1/2 M12	C	2.000 50.80	1.545 39.24	.625 15.88	.946 24.03	.083 2.11	.504 12.80	36925*
		C	2.671 67.84	2.056 52.22	1.125 28.58	1.270 32.26	.083 2.11	.504 12.80	322391
	5/8 M16	C	2.671 67.84	2.056 52.22	1.125 28.58	1.270 32.26	.083 2.11	.504 12.80	322224
		C	2.671 67.84	2.056 52.22	1.125 28.58	1.270 32.26	.083 2.11	.504 12.80	322225
3/0 150,500–190,000 [76.3–96.3]	1/4	B	2.112 53.64	1.622 41.20	.625 15.88	1.020 25.91	.094 2.39	.565 14.35	323868
		B	2.112 53.64	1.622 41.20	.625 15.88	1.020 25.91	.094 2.39	.565 14.35	321874
	5/16 M8	B	2.143 54.43	1.643 41.73	.625 15.88	1.082 27.48	.094 2.39	.565 14.35	320266
		B	2.112 53.64	1.622 41.20	.625 15.88	1.020 25.91	.094 2.39	.565 14.35	321875*
	3/8	B	2.143 54.43	1.643 41.73	.625 15.88	1.082 27.48	.094 2.39	.565 14.35	36927*
		B	2.112 53.64	1.622 41.20	.625 15.88	1.020 25.91	.094 2.39	.565 14.35	321876

*Part numbers are available in small quantity packages.