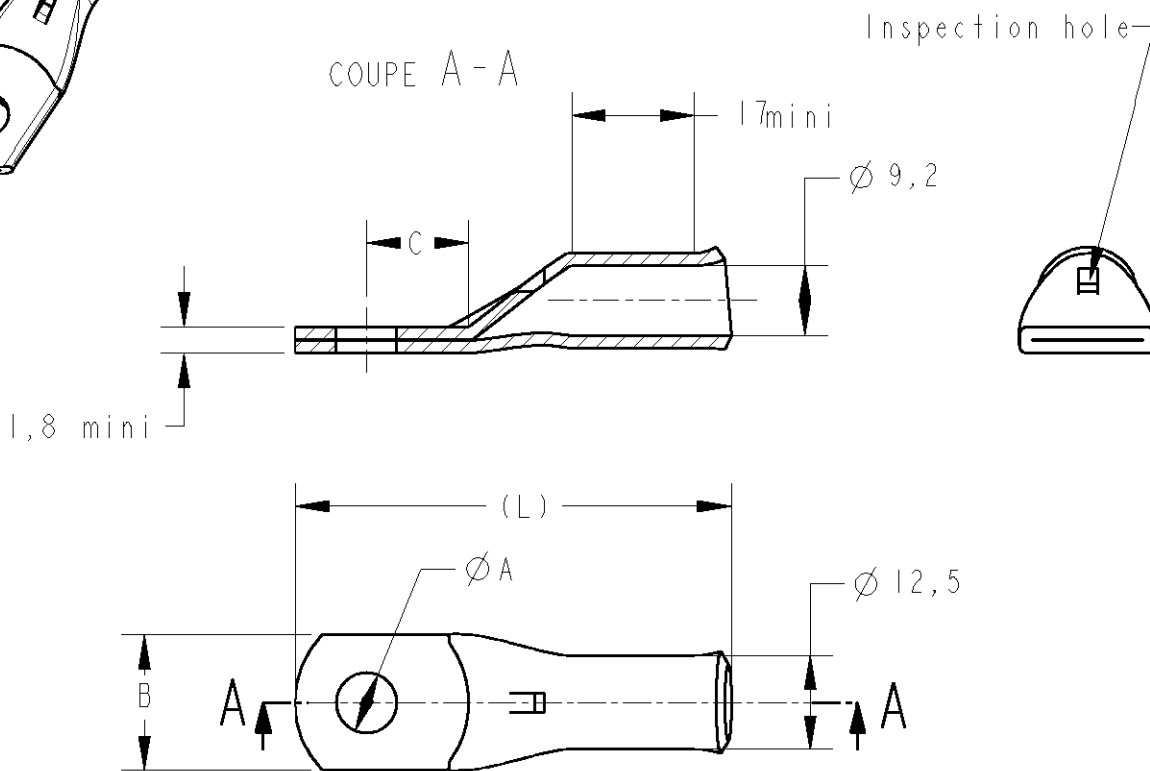
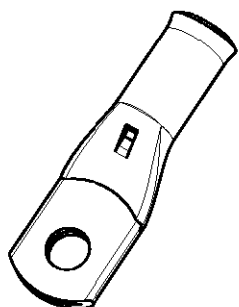


LOC	DIST	REVISIONS				
P	LTR REV	DESCRIPTION MODIFICATIONS	DATE	DWN DESS.	APVD APP.	
FH	2	D	PASSAGE SOUS PROE - A ET R 09PFG0180c	15DEC00	DL	JT
		-	-	-	-	-



(L)	C	B	Ø A	DESCRIPTION	PART NUMBER
53	13,5	18	6,4	XCT 50-6	710025-3
53	13,5	18	8,3	XCT 50-8	710025-2
53	13,5	18	10,3	XCT 50-10	710025-5
53	13,5	19	12,8	XCT 50-12	710025-7

- 1 - MATERIAL = TINNED COPPER
- 2 - Marking in depth: logo-section-hole-Made in France +
- 3 - CABLE SECTION = 1/0AWG or 50mm²
- 4 - GROOVE E50Cu OR DIE (Punch 17P50+ Die 17M50)

TOLERANCES UNLESS OTHERWISE SPECIFIED: -
 TOLERANCES NON SPECIFIEES: -

20
 RELEASED FOR PUBLICATION
 LIBRE A LA DIFFUSION
 THIS DRAWING IS UNPUBLISHED.
 DIFFUSION RESTREINTE AMP
 BY TYCO ELECTRONICS CORPORATION. ALL RIGHTS RESERVED.
 TOUS DROITS RESERVES.
 COPYRIGHT 20

DIMENSIONS: mm TOLERANCES UNLESS OTHERWISE SPECIFIED: TOLERANCES NON SPECIFIEES (SUIV NB DE DECIMALES): 0 PLC / DEC: ±0 1 PLC / DEC: ±0 2 PLC / DEC: ±0 3 PLC / DEC: ±0 4 PLC / DEC: ±0 ANGLES ±-	DWN / DESSINE D. LEGUY	15DEC00	MATERIAL MATIERE	CUIVRE	FINISH FINITION	ETAME		
	CHK / VERIFIE P. VINCENT	-	AMP SIMEL 21220 Gevrey-Chambertin, FRANCE					
	APVD / APPROUVE JC. THIARD	-						
	PRODUCT SPEC SPEC. PRODUIT	-	NAME TITRE	XCT 50-..				
APPLICATION SPEC SPEC. APPLICATION	-	SIZE FORMAT	CAGE CODE	DRAWING NO No PLAN	RESTRICTED TO RESERVE A			
WEIGHT MASSE APPROX.	A 4		00779	G=710025	-			
CUSTOMER DRAWING		/PLAN CLIENT		UNIQUEMENT POUR REFERENCE	SCALE EHELLE - / -	SHEET FEUILLE 1	OF DE 1	REV D