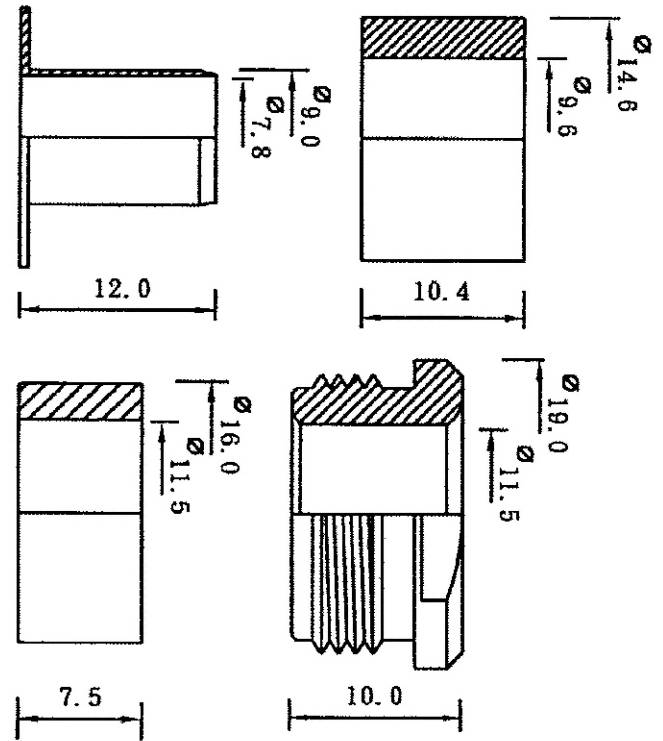


Impedance	Non-constant
Frequency range	0-300 MHz
Voltage rating	500 volts peak
Temperature range	Teflon insulations: -65° C to 165° C
Mating	5/8-24 UNEF threaded coupling

4	Shell	Brass	Nickel
3	Insulator	Teflon	White
2	Contact	Brass	Gold
1	Body	Brass	Nickel
No	Description	Material	Finish



NOTE: FINISH (PLATING THICKNESS IN MICRO-INCHES)

1. BODY/CONTACT: BRASS PER JIS-C3604
2. INSULATION: TEFLON PER ASTM D1457 AND ASTM D1710
3. CONNECTOR INTERFACE PER MIL-STD-348A
4. PART TO BE CLEAN AND FREE BURRS
5. NICKEL PL 70 µ" THICK OVER COPPER STRIKE
6. GOLD PL 1-3µ" OVER NICKEL PL 70 µ" THICK OVER COPPER STRIKE