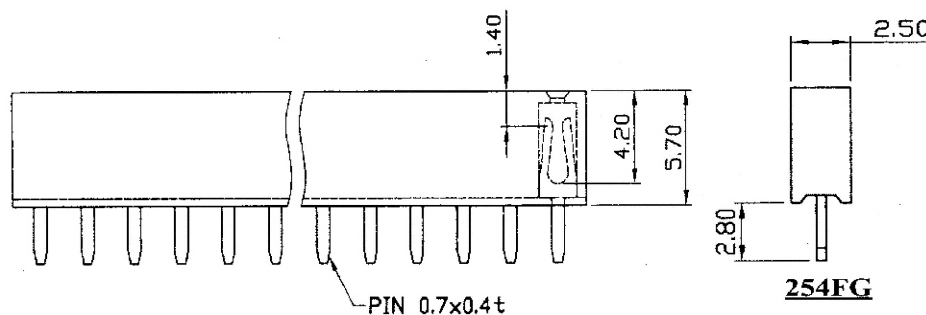


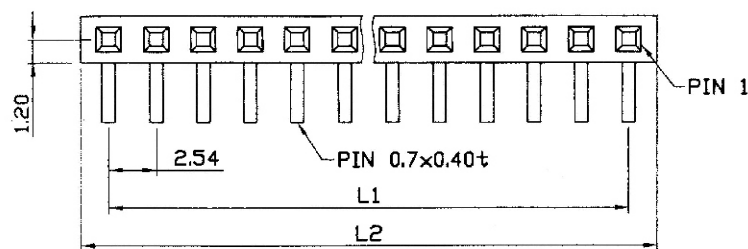
SPECIFICATIONS

Current Rating: 3 Amp
Insulation Resistance: 1000MΩ Min
Dielectric Withstanding: 600V AC/DC
Contact Resistance: 20mΩ Max.
Operating Temperature: -40°C to +105°C



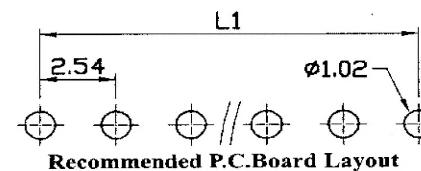
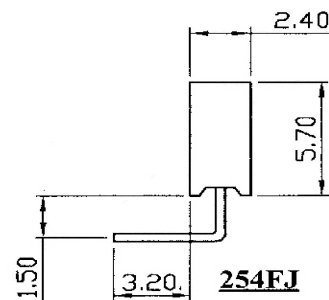
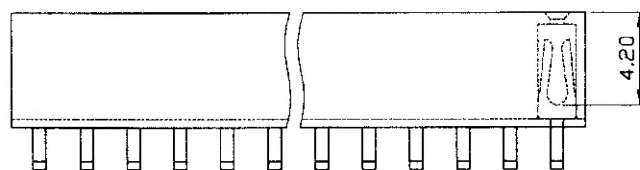
MATERIALS

Contact Material: Phosphor Bronze
Insulation Material: Polyester, UL 94V-0
 P.B.T or Nylon-6T
Contact Plating: Full Gold, Full Tin, Selective Plated
Standard: Gold Flash all Over Nickel
 All materials must be RoHS compliant.



DIMENSIONS:

$L1 = 2.54 \times (\text{No. of Contacts}-1)$
 $L2 = 0.5 + 2.54 \times \text{No. of Positions}$



Datenblatt passend zu folgenden Artikelnummern

10120800 / 10120802 / 10120804 / 10120806