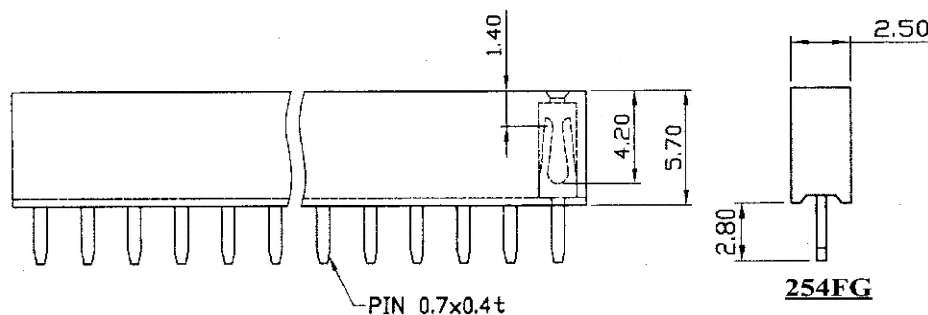


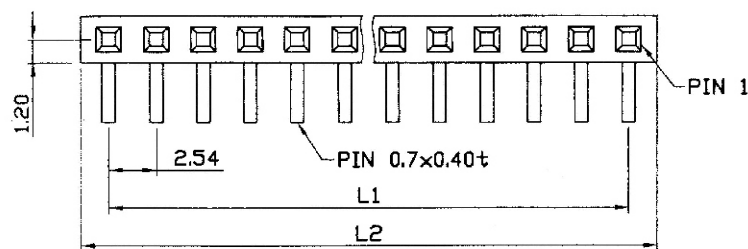
### SPECIFICATIONS

**Current Rating:** 3 Amp  
**Insulation Resistance:** 1000MΩ Min  
**Dielectric Withstanding:** 600V AC/DC  
**Contact Resistance:** 20mΩ Max.  
**Operating Temperature:** -40°C to +105°C



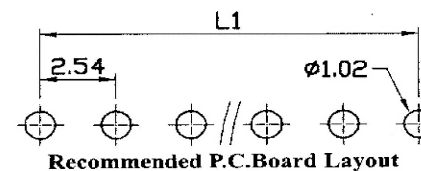
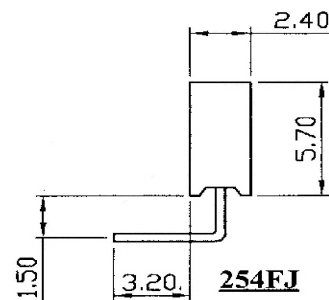
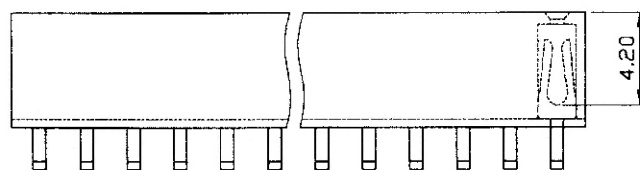
### MATERIALS

**Contact Material:** Phosphor Bronze  
**Insulation Material:** Polyester, UL 94V-0  
P.B.T or Nylon-6T  
**Contact Plating:** Full Gold, Full Tin, Selective Plated  
**Standard:** Gold Flash all Over Nickel  
**All materials must be RoHS compliant.**



### DIMENSIONS:

$L1 = 2.54 \times (\text{No. of Contacts}-1)$   
 $L2 = 0.5 + 2.54 \times \text{No. of Positions}$



Datenblatt passend zu folgenden Artikelnummern

10120800 / 10120802 / 10120804 / 10120806