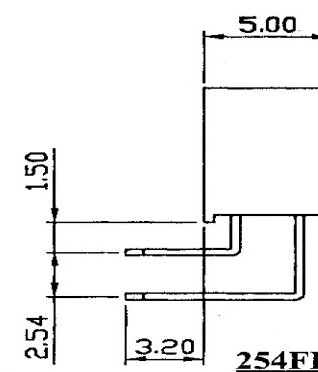
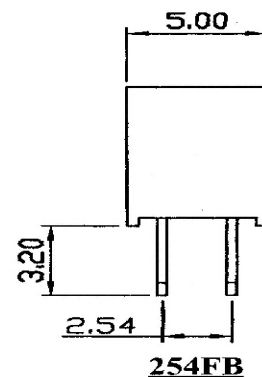
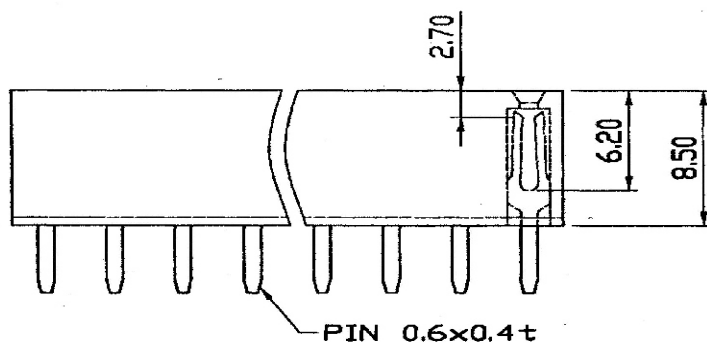


### SPECIFICATIONS

**Current Rating:** 3 Amp  
**Insulation Resistance:** 1000MΩ Min  
**Dielectric Withstanding:** 600V AC/DC  
**Contact Resistance:** 20mΩ Max.  
**Operating Temperature:** -40°C to +105°C

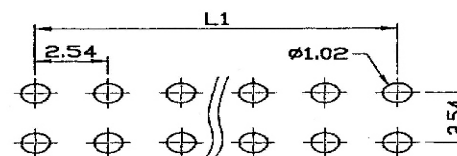
### MATERIALS

**Contact Material:** Phosphor Bronze  
**Insulation Material:** Polyester, UL 94V-0  
 P.B.T or Nylon-6T  
**Contact Plating:** Full Gold, Full Tin, Selective Plated  
**Standard:** Gold Flash all Over Nickel  
**All materials must be RoHS compliant.**



### DIMENSIONS:

$L1 = 2.54 \times (\text{No. of Contacts} - 1)$   
 $L2 = 0.5 + 2.54 \times \text{No. of Positions}$



**Recommended P.C.Board Layout**

Datenblatt passend zu folgenden Artikelnummern
10120808 / 10120814 / 10120816 / 10120818 / 10120820 / 10120822 / 10120824 / 10120826
10120229 / 10120231