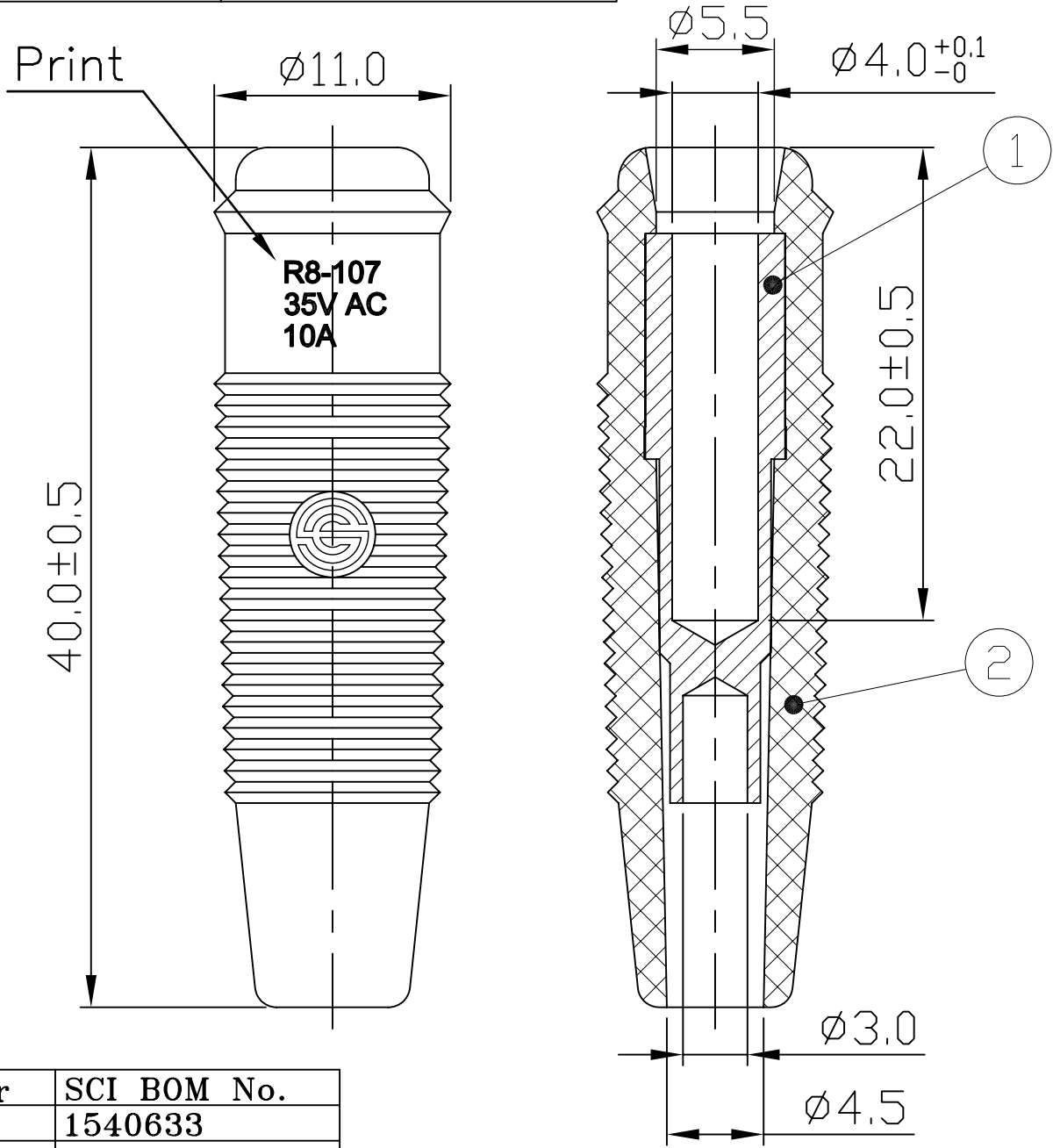


Rating	10A 35V AC/70V DC
Insulation Resistance	DC 500V 100M ohm Min.
Dielectric Strength	AC 1500V 1 minute



Color	SCI BOM No.
Red	1540633
Black	1540634
Blue	1540635
Yellow	1540636
Green	1540637

Unless otherwise specified tolerances ± 0.3

2	Copper terminal	1	Copper Alloy		Ni-Plating	R8-107-2
1	Housing	1	PVC	Black/Red/Blue/Green/Yellow		R8-107-1
No	Description	Q'ty	Material	Specification	Finish	Remark
Drawn	Checked	Approved	SCI BOM No.	See Table	Model Name	Banana Socket
			Customer No.		Model No.	R8-107
			Unit	mm		REV. 0