

## Universal housings - UCS 145-125-F-GD-RPI4B 9005 - 1139242

Please be informed that the data shown in this PDF Document is generated from our Online Catalog. Please find the complete data in the user's documentation. Our General Terms of Use for Downloads are valid (<http://phoenixcontact.com/download>)



Complete housing for Raspberry Pi printed-circuit boards. Includes housing half shells, side panels with openings for all relevant connections, adhesive pads for affixing the Raspberry Pi model B4 computers, screws for housing and PCB attachment; black housing with turquoise-blue corner inlays

### Your advantages

- ✓ High degree of application flexibility, thanks to the modular housing design
- ✓ Flexible PCB attachment, adapts to virtually all form factors
- ✓ Practical customization options
- ✓ Reduced logistics outlay, thanks to components which are compatible with one another
- ✓ Delivery as a complete housing with ready-machined side panels



### Key Commercial Data

|                                      |               |
|--------------------------------------|---------------|
| Packing unit                         | 1 pc          |
| GTIN                                 |               |
| GTIN                                 | 4063151081386 |
| Weight per Piece (excluding packing) | 372.500 g     |
| Custom tariff number                 | 85389099      |
| Country of origin                    | Germany       |
| Sales Key                            | ACFCAA        |

### Technical data

#### Item properties

|                              |                             |
|------------------------------|-----------------------------|
| Type                         | UCS 145-125-F-GD-RPI4B 9005 |
| Order No.                    | 1139242                     |
| Housing type                 | Universal housings          |
| Type                         | Flat design                 |
| Max. IP code to attain       | IP20                        |
| Ventilation openings present | no                          |

#### Measurements

# Universal housings - UCS 145-125-F-GD-RPI4B 9005 - 1139242

## Technical data

### Measurements

|              |   |
|--------------|---|
| Caption      | Schematic representation – for additional information, see product range drawing in the Download Center |
| Width [ w ]  | 145 mm  |
| Height [ h ] | 125 mm  |
| Depth [ d ]  | 47 mm   |

### Material specifications

|  |              |
|--|--------------|
| Housing material                       | PC           |
| Surface characteristics                | untreated    |
| Color (RAL)                            | black (9005) |
| Flammability rating according to UL 94 | V0           |

### Ambient conditions

|   |  |
|---|--|
| Ambient temperature (storage/transport) | -40 °C ... 55 °C                                   |
| Ambient temperature (assembly)          | -5 °C ... 100 °C                                   |
| Ambient temperature (operation)         | -40 °C ... 105 °C (depending on power dissipation) |
| Relative humidity (storage/transport)   | 80 %   |

### PCB data

|                        |   |
|------------------------|---|
| Number of PCB holders  | 1   |
| Note on PCB holders    | This product is prepared for a printed-circuit board. Additional printed-circuit boards can be mounted using adhesive pads (accessories). |
| PCB thickness          | 0.8 mm ... 3 mm   |
| Total PCB surface      | 12000 mm <sup>2</sup>   |
| Type of PCB mount      | Bolt mounting   |
| Supported form factors | Raspberry Pi  |

### Power dissipation, single housing at 20°C

|                     |          |
|---------------------|----------|
| Ambient temperature | 20 °C    |
| Reduction factor    | 1        |
| Mounting position   | vertical |
| Power dissipation   | 11 W     |

### Power dissipation, single housing at 30 °C

|                     |          |
|---------------------|----------|
| Ambient temperature | 30 °C    |
| Reduction factor    | 0.85     |
| Mounting position   | vertical |
| Power dissipation   | 9.4 W    |

### Power dissipation, single housing at 40 °C

|                     |          |
|---------------------|----------|
| Ambient temperature | 40 °C    |
| Reduction factor    | 0.7      |
| Mounting position   | vertical |
| Power dissipation   | 7.7 W    |

## Universal housings - UCS 145-125-F-GD-RPI4B 9005 - 1139242

### Technical data

#### Power dissipation, single housing at 50 °C

|                     |          |
|---------------------|----------|
| Ambient temperature | 50 °C    |
| Reduction factor    | 0.55     |
| Mounting position   | vertical |
| Power dissipation   | 6 W      |

#### Power dissipation, single housing at 60 °C

|                     |          |
|---------------------|----------|
| Ambient temperature | 60 °C    |
| Reduction factor    | 0.4      |
| Mounting position   | vertical |
| Power dissipation   | 4.4 W    |

#### Mechanical strength/tumbling barrel

|                       |                        |
|-----------------------|------------------------|
| Specification         | IEC 60068-2-31:2008-05 |
| Height of fall        | 50 cm                  |
| Number of drop cycles | 50                     |

#### Vibration test

|                        |                        |
|------------------------|------------------------|
| Specification          | IEC 60068-2-6:2007-12  |
| Frequency              | 10 - 150 - 10 Hz       |
| Sweep speed            | 1 octave/min           |
| Amplitude              | 0.15 mm (10 - 58.1 Hz) |
| Acceleration           | 2g (58.1 - 150 Hz)     |
| Test duration per axis | 2.5 h                  |
| Test directions        | X-, Y- and Z-axis      |

#### Shock

|                                |                                   |
|--------------------------------|-----------------------------------|
| Specification                  | IEC 60068-2-27:2008-02            |
| Pulse shape                    | Half-sine                         |
| Acceleration                   | 15g                               |
| Shock duration                 | 11 ms                             |
| Number of shocks per direction | 3                                 |
| Test directions                | X-, Y- and Z-axis (pos. and neg.) |

#### Thermostability (ball thrust test)

|               |                        |
|---------------|------------------------|
| Specification | IEC 60695-10-2:2014-02 |
| Temperature   | 125 °C                 |
| Test duration | 1 h                    |
| Force         | 20 N                   |

#### Test for assessing the risk of fire (glow wire)

|                  |   |
|------------------|---|
| Specification    | DIN EN 60695-2-11 (VDE 0471-2-11):2014-11 |
| Temperature      | 850 °C                                    |
| Time of exposure | 30 s                                      |

# Universal housings - UCS 145-125-F-GD-RPI4B 9005 - 1139242

## Technical data

Test for substances that would hinder coating with paint or varnish

|               |                      |
|---------------|----------------------|
| Result        | Test passed          |
| Specification | VW PV 3.10.7:2005-02 |

### Degrees of protection provided by enclosures (IP code)

|                                       |   |
|---------------------------------------|---|
| Specification                         | IEC 60529:1989-11 + AMD 1:1999-11 + AMD 2:2013-08 |
| Result, degree of protection, IP code | IP20  |

### General information

|      |   |
|------|---|
| Note | The housing can be opened a maximum of 10 times.  |
|      | Attach the adhesive pads: Make sure that the surface of the housing is clean, dry, and free of grease. Temperature range: +18°C ... +30°C / Closing pressure force: 60 N / Closing pressure time: 3 s |
|      | Refer to the data sheet for the range in the download area.   |

### Note on mounting

|                                      |   |
|--------------------------------------|---|
| Tightening torque / rotational speed | Screw connection between housing halves: 1.2 Nm-1.4 Nm / 500 rpm-1000 rpm |
|                                      | Mounting the PCB: 0.4 Nm-0.5 Nm / 500 rpm-1000 rpm                        |
| Drive form screw head                | Screw connection between housing halves: Slotted Torx®(T10)               |
|                                      | Mounting the PCB: Slotted Torx®(T7)                                       |

### Packaging information

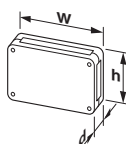
|                            |               |
|----------------------------|---------------|
| Type of packaging          | Box packaging |
| Pieces per package         | 1             |
| Denomination packing units | Pcs.          |

### Standards and regulations

|  |    |
|--|----|
| Flammability rating according to UL 94 | V0 |
|--|----|

## Drawings

Dimensional drawing



Schematic representation – for additional information, see product range drawing in the Download Center

## Classifications

eCl@ss

|               |          |
|---------------|----------|
| eCl@ss 10.0.1 | 27182702 |
| eCl@ss 11.0   | 27182702 |

# Universal housings - UCS 145-125-F-GD-RPI4B 9005 - 1139242

## Classifications

### eCl@ss

|            |          |
|------------|----------|
| eCl@ss 9.0 | 27182702 |
|------------|----------|

### ETIM

|          |          |
|----------|----------|
| ETIM 7.0 | EC001031 |
|----------|----------|

### UNSPSC

|             |          |
|-------------|----------|
| UNSPSC 18.0 | 31261501 |
| UNSPSC 19.0 | 31261501 |
| UNSPSC 20.0 | 31261501 |
| UNSPSC 21.0 | 31261501 |

## Approvals

### Approvals

---

#### Approvals


UL Recognized

---

Ex Approvals

---

### Approval details

|               |   |   |               |
|---------------|---|---|---------------|
| UL Recognized |  | <a href="http://database.ul.com/cgi-bin/XYV/template/LISEXT/1FRAME/index.htm">http://database.ul.com/cgi-bin/XYV/template/LISEXT/1FRAME/index.htm</a> | FILE E 240868 |
|---------------|---|---|---------------|

## Accessories

### Accessories

#### Screwdriver tools

Screwdriver - SF-TXH 10X80 - 1200149



Screwdriver, Torx<sup>®</sup> with bore hole, TX 10 x 80, two-component handle

---

# Universal housings - UCS 145-125-F-GD-RPI4B 9005 - 1139242

## Accessories

Screw insert - SF-BIT-TX 10-50 - 1212573



Screw bit, Torx<sup>®</sup>, E6.3-1/4" drive, size: TX 10 x 50 mm, hardened, suitable for holder according to DIN 3126-F6.3/ISO 1173

---

## Torque tool

Battery-powered screwdriver - SF-ASD 21 - 1212532



Cordless screwdriver, incl. 1.5 Ah battery, forward/reverse running, 21-stage coupling, up to 600 rpm, 6.3 mm hexagonal fast connection drill chuck, torque can be adjusted from 0.3 ... 4.4 Nm

Torque screwdriver - TSD-M 1,2NM - 1212224



Torque screw driver, accuracy as per EN ISO 6789 standard, adjustable from 0.3 - 1.2 Nm

---

## Additional products

Corner inlay - UCS CC 7035 - 2203395

Corner inlay for UCS housings, material: polyamide, color: light gray, similar to RAL 7035



Corner inlay - UCS CC 9005 - 2203396

Corner inlay for UCS housings, material: polyamide, color: black, similar to RAL 9005



## Universal housings - UCS 145-125-F-GD-RPI4B 9005 - 1139242

### Accessories

Screw set - UCS SF 3,5X20 - 2203402



Screw set for creating a UCS housing of height 47 mm

---

Screw set - UCS SF 3,5X40 - 2203403



Screw set for creating a UCS housing of height 67 mm

---

Mounting set - UCS GD 9005 - 2203401



Adhesive screw boss, for securing the printed-circuit board, material: polyamide; content 4 pieces with screws 2.5 x 8

---

Stand - UCS PED 9005 - 2203393



Stand for mounting the UCS housing; height: 47 mm; material: polyamide; color: black, similar to RAL 9005; wall mounting option is integrated, snaps into the screw holes of the housing

---

Stand - UCS PED 7035 - 2203392



Stand for mounting the UCS housing; height: 47 mm; material: polyamide; color: light gray, similar to RAL 7035; wall mounting option is integrated, snaps into the screw holes of the housing

---

## Universal housings - UCS 145-125-F-GD-RPI4B 9005 - 1139242

### Accessories

#### Stand - UCS PED 5018 - 2203394



Stand for mounting the UCS housing, height: 47 mm; material: polyamide; color: turquoise blue, similar to RAL 5018; wall mounting option is integrated, snaps into the screw holes of the housing

---

#### Wall bracket - UCS WM-B 7035 - 2203718



Adapter for mounting the UCS housing on the wall, material: polyamide, color: light gray similar to RAL 7035, used instead of UCS CC corner insert; only used in conjunction with UCS GD 9005 adhesive pad

---

#### Wall bracket - UCS WM-B 9005 - 2203719



Adapter for mounting the UCS housing on the wall, material: polyamide, color: black similar to RAL 9005, used instead of UCS CC corner insert; only used in conjunction with UCS GD 9005 adhesive pad

---

#### Wall bracket - UCS WM-B 5018 - 2203391



Adapter for mounting the UCS housing on the wall, material: polyamide, color: turquoise similar to RAL 5018, used instead of UCS CC corner insert. Only used in conjunction with UCS GD 9005 adhesive pad

---

#### Stand - UCS PED 7035 - 2203392



Stand for mounting the UCS housing; height: 47 mm; material: polyamide; color: light gray, similar to RAL 7035; wall mounting option is integrated, snaps into the screw holes of the housing



## Universal housings - UCS 145-125-F-GD-RPI4B 9005 - 1139242

### Accessories

#### Stand - UCS PED 9005 - 2203393



Stand for mounting the UCS housing; height: 47 mm; material: polyamide; color: black, similar to RAL 9005; wall mounting option is integrated, snaps into the screw holes of the housing

#### Stand - UCS PED 5018 - 2203394



Stand for mounting the UCS housing, height: 47 mm; material: polyamide; color: turquoise blue, similar to RAL 5018; wall mounting option is integrated, snaps into the screw holes of the housing

#### Corner guards - UCS CP 7035 - 2203346



Adapter for protecting the corners of the UCS housing; material: TPE-U; color: light gray, similar to RAL 7035; held in the screw holes of the housing

#### Corner guards - UCS CP 9005 - 2203347



Adapter for protecting the corners of the UCS housing; material: TPE-U; color: black, similar to RAL 9005; held in the screw holes of the housing

#### Corner guards - UCS CP 5018 - 2203348



Adapter for protecting the corners of the UCS housing; material: TPE-U; color: turquoise blue, similar to RAL 5018; held in the screw holes of the housing

## Universal housings - UCS 145-125-F-GD-RPI4B 9005 - 1139242

### Accessories

#### Stacking adapters - UCS CS 7035 - 2203720



Adapter for stacking several UCS housings of one size; material: TPE-U; color: light gray, similar to RAL 7035; held in the screw holes of the housing

---

#### Stacking adapters - UCS CS 9005 - 2203721



Adapter for stacking several UCS housings of one size; material: TPE-U; color: black, similar to RAL 9005; held in the screw holes of the housing

---

#### Stacking adapters - UCS CS 5018 - 1029039



Adapter for stacking several UCS housings of one size; material: TPE-U; color: turquoise blue, similar to RAL 5018; held in the screw holes of the housing

---

#### Fiber optic - HS LC-H-D2/ R2XC1-2,54 - 2202316



Light guides, passive, rigid, can be used for the ME, ME-MAX, ME-IO, ME PLC, and EH housing ranges (housing must be processed)

---

#### Fiber optic - HS LC-H-D2/ R2XC2-2,54 - 2202317



Light guides, passive, rigid, can be used for the ME, ME-MAX, ME-IO, ME PLC, and EH housing ranges (housing must be processed)

## Universal housings - UCS 145-125-F-GD-RPI4B 9005 - 1139242

### Accessories

Fiber optic - HS LC-H-D2/ R2XC5-2,54 - 2202318



Light guides, passive, rigid, can be used for the ME, ME-MAX, ME-IO, ME PLC, and EH housing ranges (housing must be processed)

Fiber optic - HS LC-H-D2/ R2XC10-2,54 - 2202319



Light guides, passive, rigid, can be used for the ME, ME-MAX, ME-IO, ME PLC, and EH housing ranges (housing must be processed)

DIN rail adapter - UCS DIN 125-F 7035 - 2203838



DIN rail adapter for mounting one UCS 125-87-F housing (long side) or UCS 145-125-F housing (short side) onto an NS 35 DIN rail; will be set into the housing instead of a UCS SW 125 side wall; material: polycarbonate; color: light gray, similar to RAL 7035

DIN rail adapter - UCS DIN 145-F 7035 - 2203839



DIN rail adapter for mounting one UCS 145-125-F housing (long side) or UCS 195-145-F housing (short side) onto an NS 35 DIN rail; will be set into the housing instead of a UCS SW 145 side wall; material: polycarbonate; color: light gray, similar to RAL 7035

DIN rail adapter - UCS DIN 125-F 9005 - 1174338



DIN rail adapter for mounting one UCS 125-87-F housing (long side) or UCS 145-125-F housing (short side) onto an NS 35 DIN rail; will be set into the housing instead of a UCS SW 125 side wall; material: polycarbonate; color: black, similar to RAL 9005

## Universal housings - UCS 145-125-F-GD-RPI4B 9005 - 1139242

### Accessories

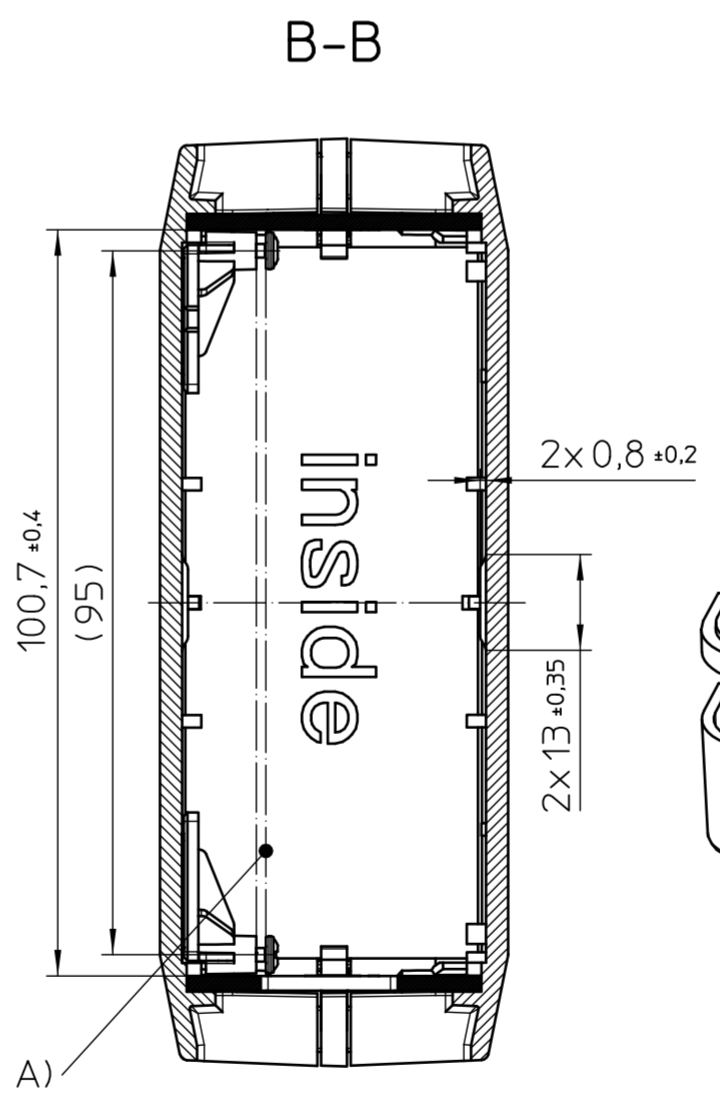
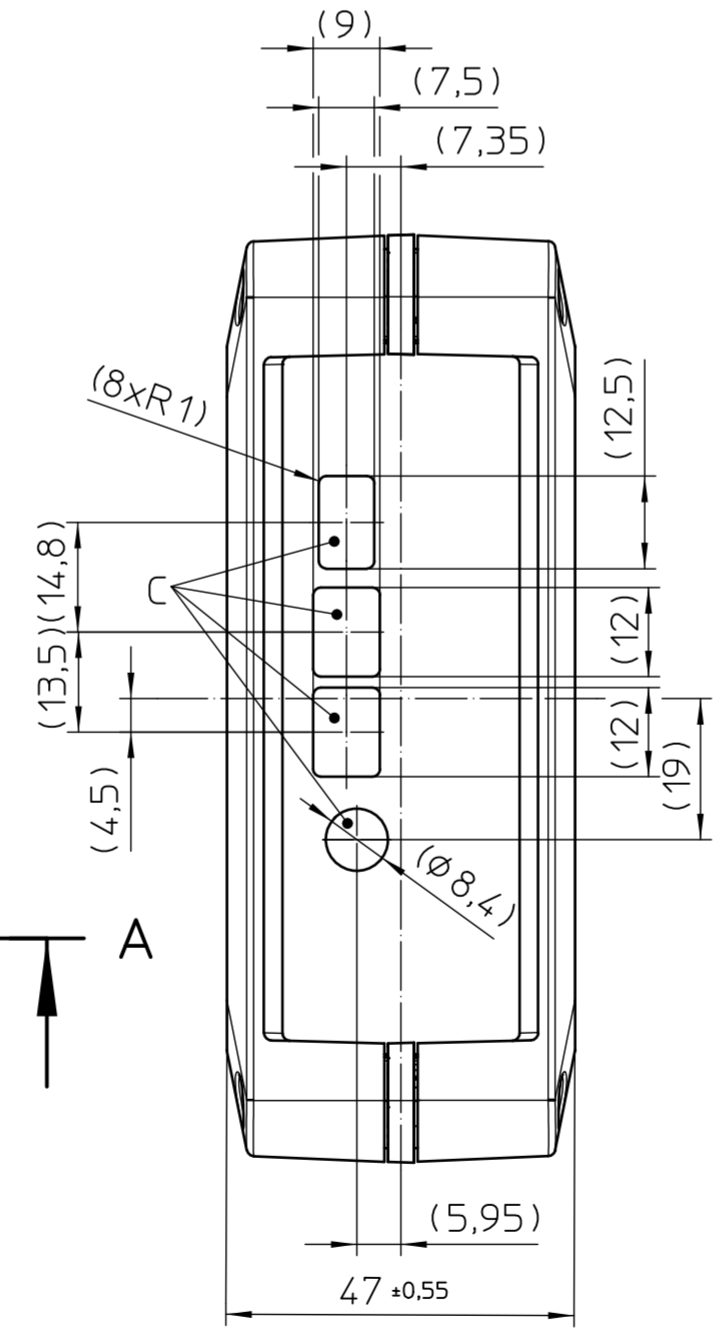
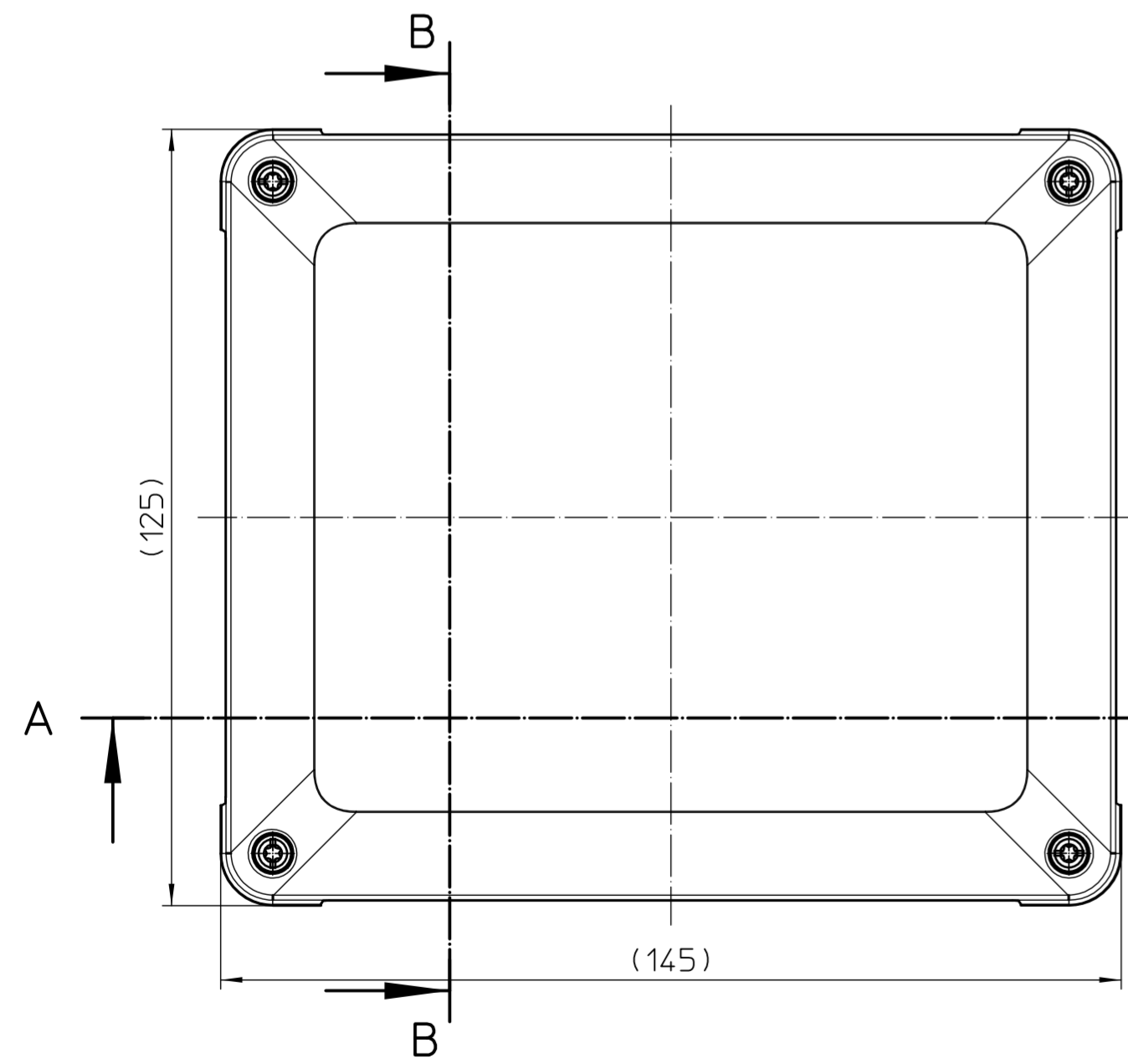
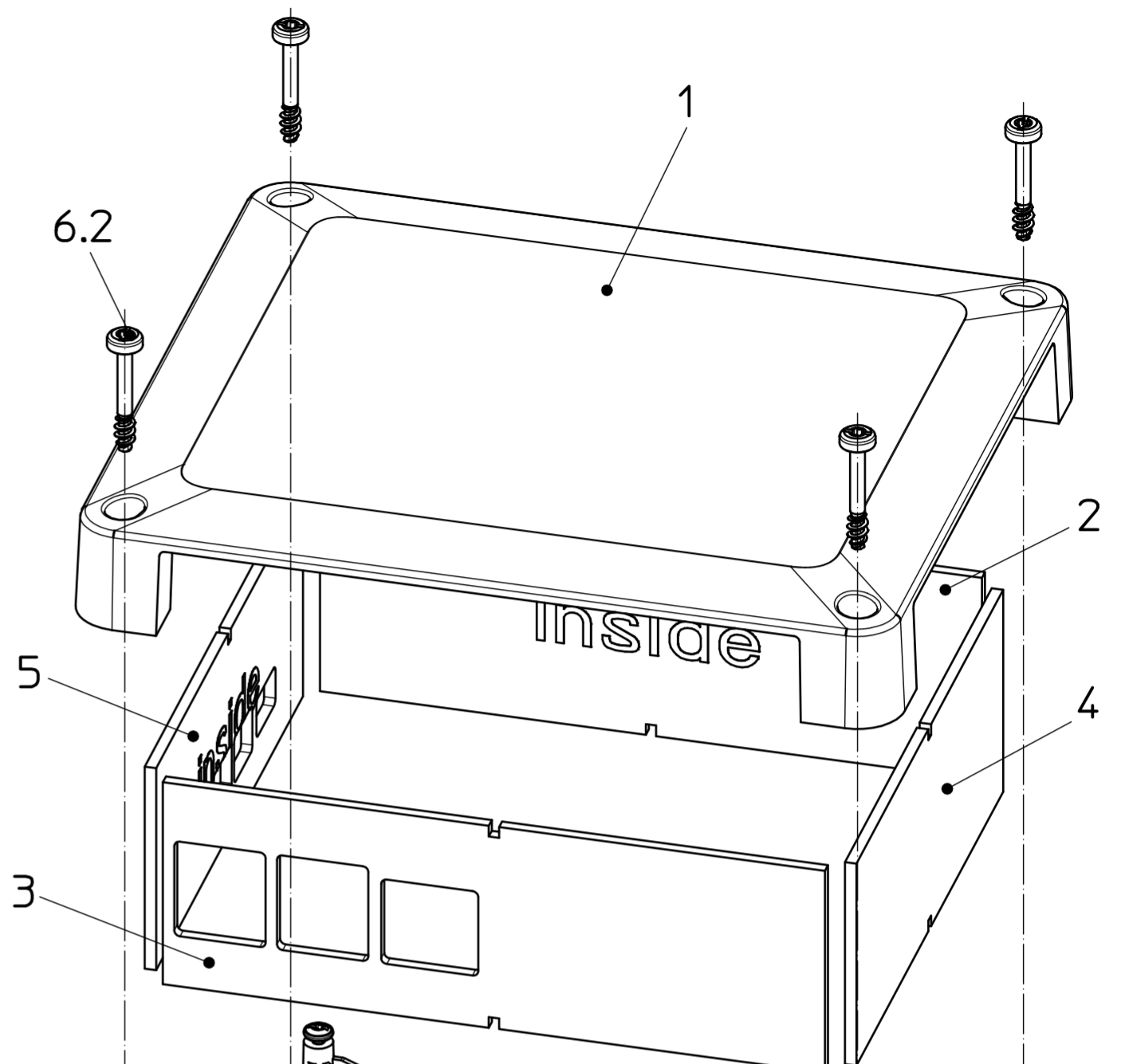
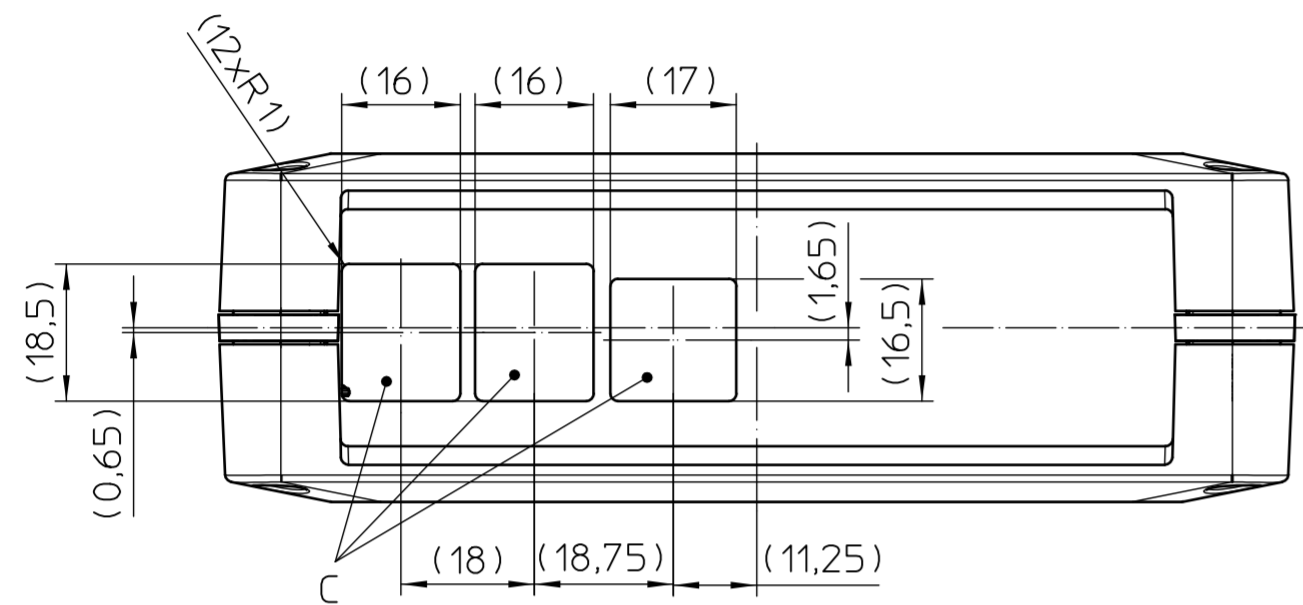
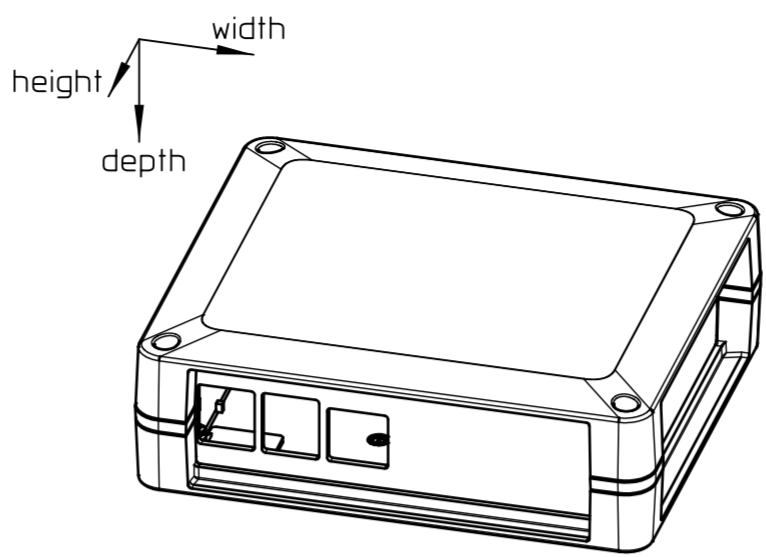
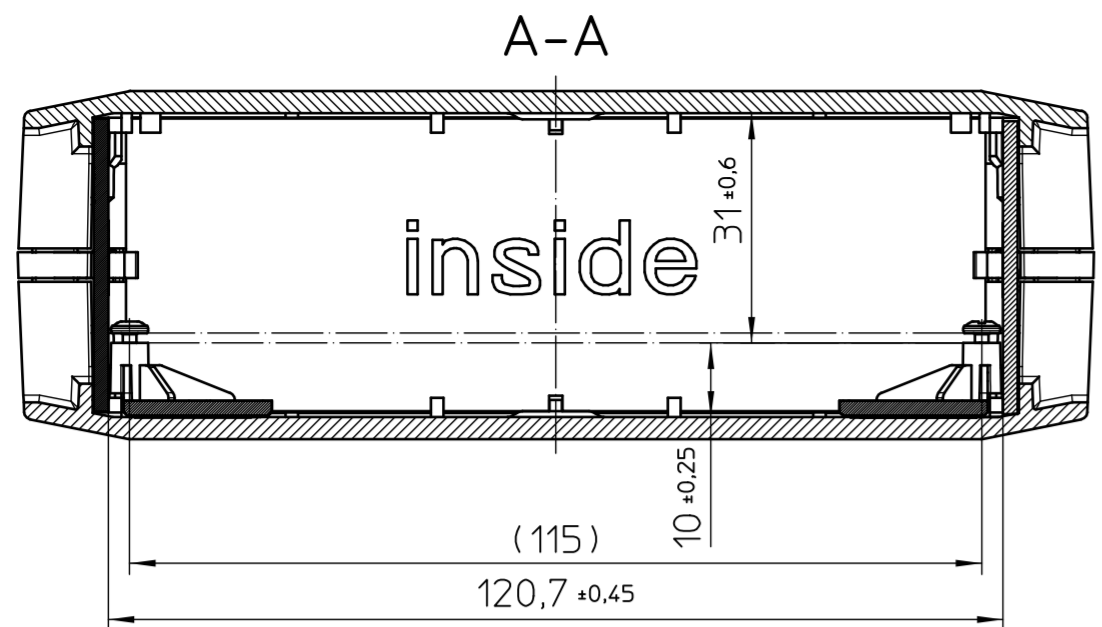
DIN rail adapter - UCS DIN 145-F 9005 - 1174341



DIN rail adapter for mounting one UCS 145-125-F housing (long side) or UCS 195-145-F housing (short side) onto an NS 35 DIN rail; will be set into the housing instead of a UCS SW 145 side wall; material: polycarbonate; color: black, similar to RAL 9005

---

Phoenix Contact 2021 © - all rights reserved  
<http://www.phoenixcontact.com>



General Information:

- Simplified representation
- Document excluded from change process
- Units are in millimeters [mm] and degrees [°]
- Tolerances apply in a normal climate according to DIN EN ISO 291-23/50-2, PA plastic parts with about 2% (% by weight) moisture content.
- Web: [www.phoenixcontact.com](http://www.phoenixcontact.com) webcode: #0853

Additional Information:

- A) PCB t=0,8-3mm
- B) Free position for UCS GD (Pos.7.1+7.2)  
example position for max.PCB
- C) Cut-out RPI4B

| KIT (not mounted) |     |                                   |
|-------------------|-----|-----------------------------------|
| Pos.              | QTY | Description                       |
| 1                 | 2   | HALF HOUSING 145-125              |
| 2                 | 1   | SIDE WALL 145 FLAT                |
| 3                 | 1   | SIDE WALL 145 FLAT-RPI4B-RJ45-USB |
| 4                 | 1   | SIDE WALL 125 FLAT                |
| 5                 | 1   | SIDE WALL 125 FLAT RPI4B-HDMI     |
| 6                 | 1   | CORNER CONNECTOR KIT              |
| 6.1               | 4   | CORNER CONNECTOR                  |
| 6.2               | 4   | SCREW PT 3,4X40 TORX              |
| 7                 | 1   | GLUE DOME KIT                     |
| 7.1               | 4   | GLUE DOME                         |
| 7.2               | 4   | SCREW PT 2,5X8 TORX               |

|        |                   |                             |       |
|--------|-------------------|-----------------------------|-------|
|        | document-No. / RI | date                        | scale |
|        | 01234847 / 00     | 01.08.2019                  | 1:1   |
|        | ident.-No.        | document-type               |       |
|        | 1139242           | TECDOC 2D_Productdrawing    |       |
| page 1 | of 1              | description                 |       |
|        |                   | UCS 145-125-F-GD-RPI4B 9005 |       |

Transfer or duplication of this document as well as the utilisation or communication of its content are not permitted unless express consent is granted. Violations give rise to claims for damages. All rights reserved in case of patent, utility model or design patent registrations.

Weitergabe sowie Vervielfältigung dieses Dokuments, Verwertung und Mitteilung seines Inhalts sind verboten, soweit nicht ausdrücklich gestattet. Zuwiderhandlungen verpflichten zu Schadensersatz. Alle Rechte für den Fall der Patent-, Gebrauchsmuster- oder Designeintragung vorbehalten.