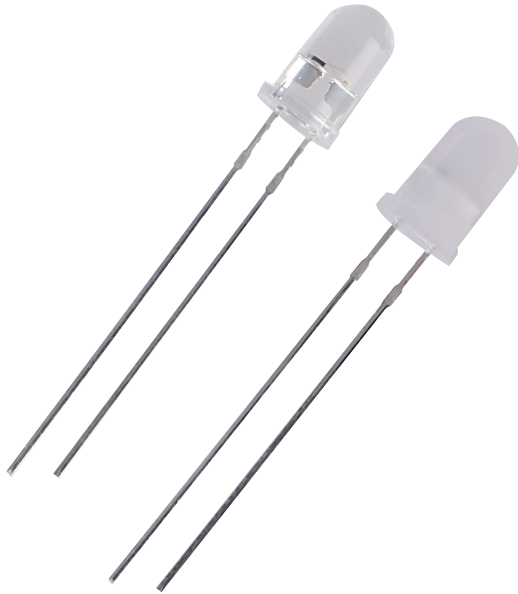


# 5mm Rainbow Colour Cycling LEDs



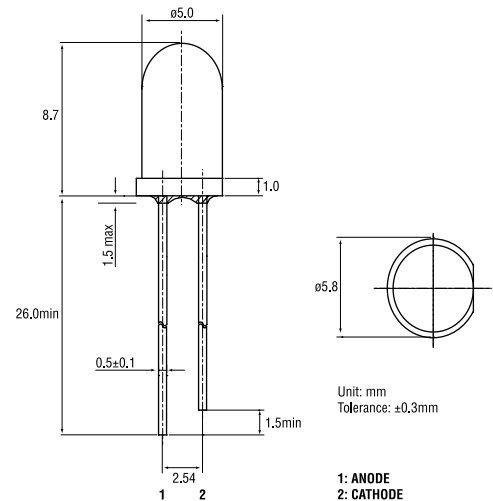
Order code: **55-1904** water clear

MPN: OSTB5131A

Order code: **55-1906** white diffused

MPN: OSTB5132A

## Outline dimensions:



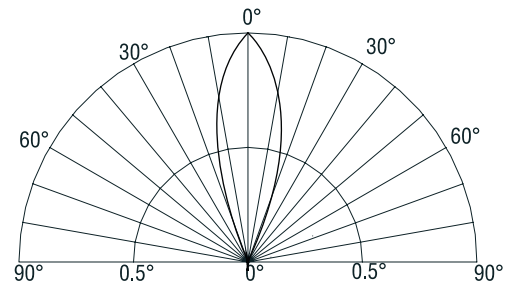
## Characters:

- Viewing angle 30 deg.

## Absolute maximum rating (Ta=25°C)

Item	Symbol	Value	Unit
Time	T	33	S
Power supply	V	5	V
Operating temperature	Topr	-30 to +85	°C
Storage temperature	Tstg	-40 to +100	°C

## Directivity:



## Electrical – Optical characteristics

Emitting colour	Lens type	Forward voltage $V_F$ (V)		Dominant wavelength $\lambda_d$ (nm)*3	Luminous intensity $I_V$ (mcd)*1	Reverse current $I_R$ @ ( $\mu A$ ) at $V_R = 5V$
		Typ.	Max.			
Red	Water clear	4.5	5.0	625	3000	<10
Blue				470	2500	
Pure green				525	8400	
Red	White diffused	4.5	5.0	625	550	<10
Blue				470	550	
Pure green				525	850	

\*1 Axial direction (luminous intensity)

\*2 Please refer to CIE 1931 chromaticity diagram

\*3 Devices are sorted by 5nm wavelength ranges