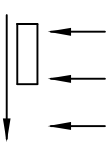
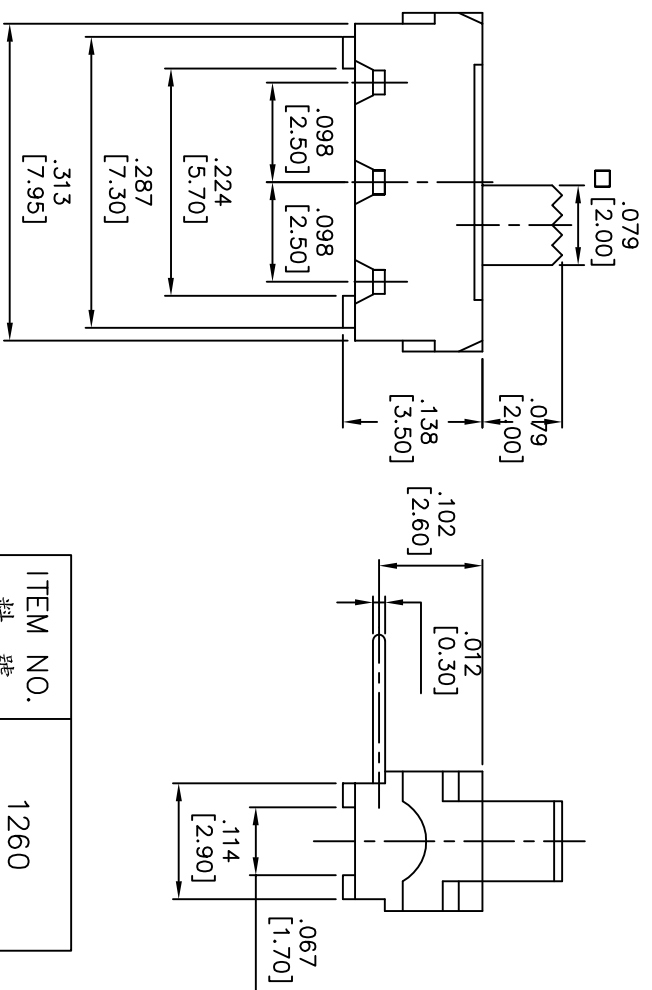
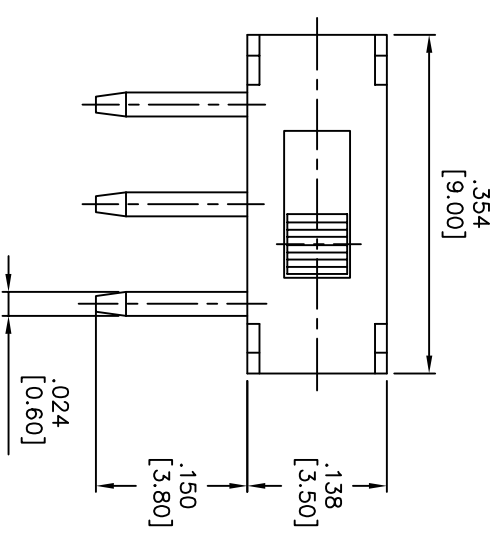
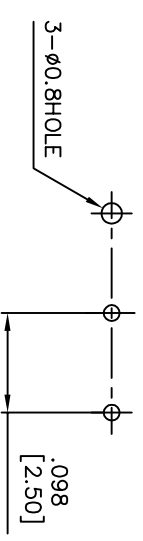


REV.	DESCRIPTION	ENG.	APPROVE
更改	說明	修改人	審核

CIRCUIT DIAGRAM



P.C.B LAND PATTERN



SPECIFICATION

1. RATING : DC 6V 0.3A Max.
2. TRAVEL : 2.00mm±0.10
3. CIRCUIT : 1C-2P
4. OPERATING FORCE : 200 ±100gf
5. CONTACT RESISTANCE : 130mΩ MAX
6. LIFE : 10,000 CYCLES.
7. TIMING : NON-SHORTING
8. DIMENSION TOLERANCE : ±0.30mm

THESE DRAWINGS AND SPECIFICATIONS ARE THE PROPERTY OF TAIWAY ELECTRONICS LTD. AND SHALL NOT BE REPRODUCED COPIED OR USED IN ANY MANNER WITHOUT THE PRIOR WRITTEN CONSENT OF TAIWAY ELECTRONICS LTD. UNLESS OTHERWISE SPECIFIED DIMENSIONS ARE IN MILLIMETERS ANGULAR TOLERANCE: ±1.0°

DIMENSIONS	TOLERANCE
0.00 TO 30.00mm	±0.20mm
30.01 TO 80.00mm	±0.25mm
80.01 TO 150.00mm	±0.30mm
150.01 -	±0.40mm

泰瑋電子有限公司
TAIWAY ELECTRONICS COMPONENTS CO.,LTD.

USED	APPD.
用途	審核
FINISH	CHKD.
處理	校對
SCALE 5 / 1	DR.
比例	製圖
UNIT in(mm)	
單位	
TITLE SLIDE SWITCH	
名稱	
DWG NO. 1260	
圖號	
FILE NAME 1260(NEW).dwg	
檔案名稱	

ITEM NO.	1260
料號	